

PORTA ROMANA



Urchin Chandelier Large

MCL61 | Electric Blue

Electric Blue

HEIGHT
1000mm | 39 1/2"

CONSTRUCTED FROM
Forged steel with decorative finish

WATTAGE
60W



WIDTH
1000mm | 39 1/2"

WEIGHT
23.2kg | 51.25lbs

LAMPING
200I (3.5w) Gold Tinted LED Filament Type
G16 1/2 Medium Base

MINIMUM DROP
1200mm | 47 1/4"

MATERIAL
Metal

VOLTAGE
120 V

TOTAL DROP
1600mm | 63"

FINISHES
Electric Blue
Bodu Gold
Bodu Silver
Bodu White

THIS PIECE REQUIRES A DEDICATED
CARRIER AND CHARGEABLE CRATE

© Porta Romana 2024

PR

PORTAROMANA.COM

Urchin Chandelier Large

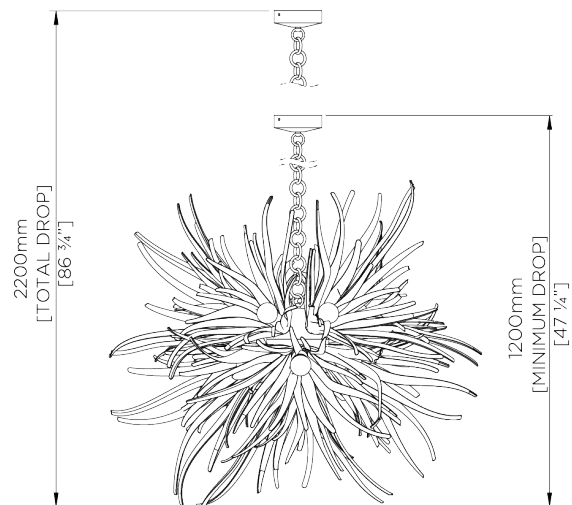
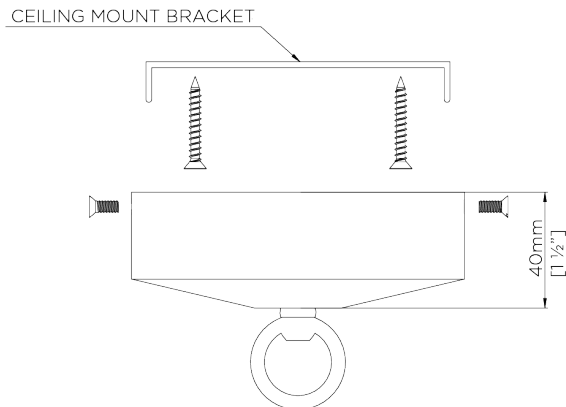
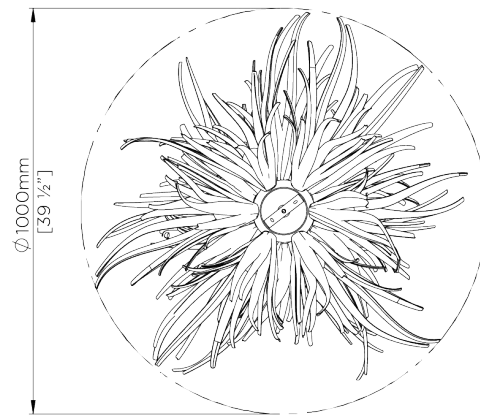
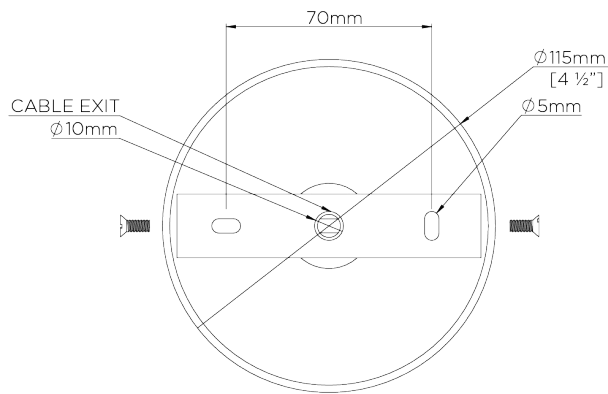
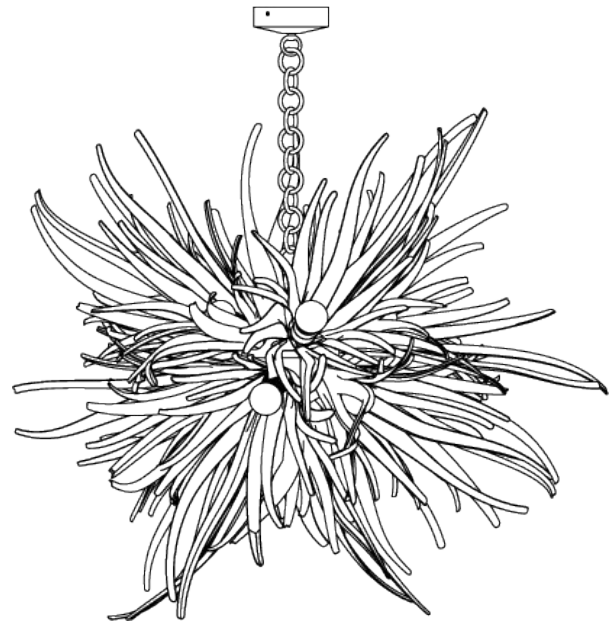
MCL61

WIDTH
1000mm | 39 1/2"

MINIMUM DROP
1200mm | 47 1/4"

MAXIMUM DROP
1600mm | 61"

DROPS AVAILABLE
2200mm / Custom



Due to its weight (51 1/4 lb/23.2kg) this luminaire must be mounted or supported independently of an outlet box

Please make sure the canopy mount bracket is firmly attached to a joist or noggin which is capable of supporting the weight of the chandelier

© Porta Romana 2024

Dimensions and weights are provided as a guide. All Porta Romana Products are made by hand and variations can occur in some products. The products you are buying or marketing are exclusive designs belonging to Porta Romana. Please do not submit design sheets featuring our products to other manufacturing companies nor to other parties who might. Any manufacturer found to be reproducing Porta Romana products will be breaching copyright law and will be actively pursued