

PORTA ROMANA



Jordan Wall Light Small

TWL89S | Nickel

Shown in Nickel

HEIGHT
114mm | 4 1/2"

CONSTRUCTED FROM
Patinated or nickel plated brass

MAX WATTAGE
1.2W

WIDTH
114mm | 4 1/2"

WEIGHT
0.5 kg | 1.1 lbs

LAMP
LED Supplied Fitted

PROJECTION
300mm | 12"

VOLTAGE
120V

FINISHES

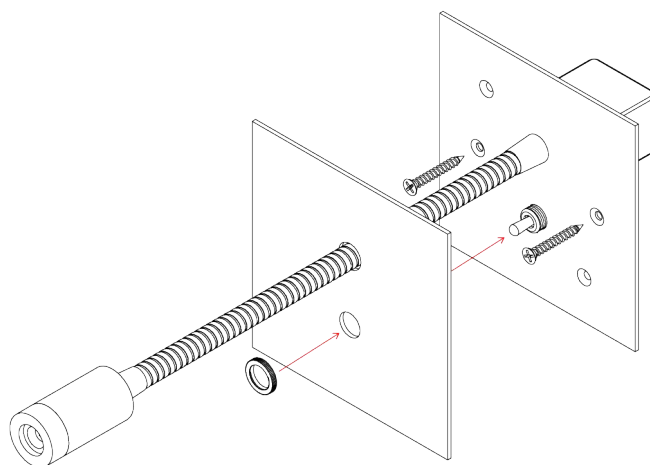
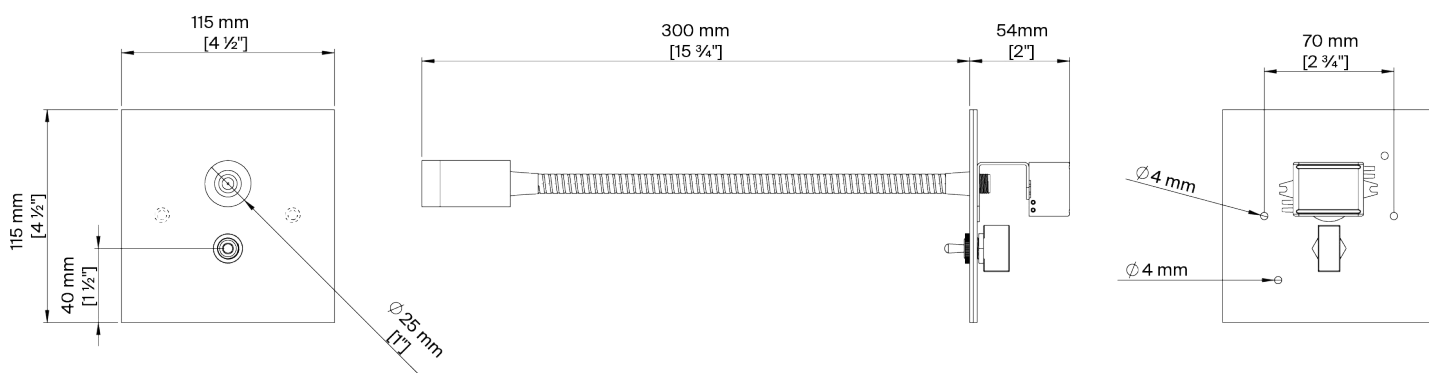
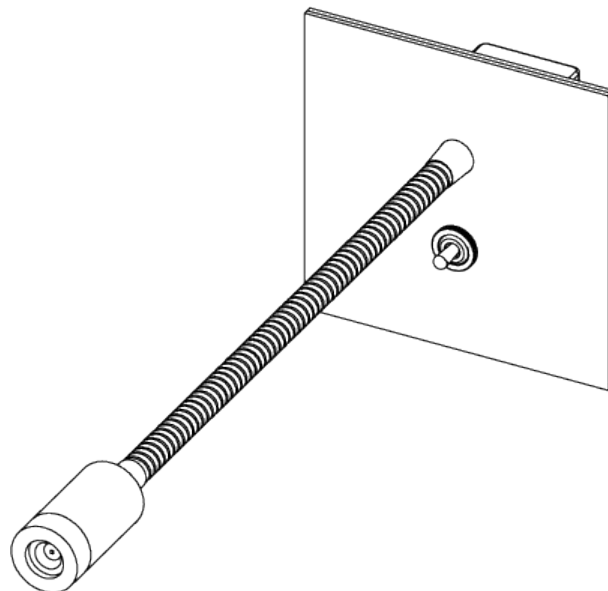
- 1 Antique Brass
- 2 Bronze
- 3 Nickel

Jordan Wall Light Small

TWL89S

HEIGHT
114mm | 4 1/2"

WIDTH
114mm | 4 1/2"



© Porta Romana 2022

Dimensions and weights are provided as a guide. All Porta Romana Products are made by hand and variations can occur in some products. The products you are buying or marketing are exclusive designs belonging to Porta Romana. Please do not submit design sheets featuring our products to other manufacturing companies nor to other parties who might. Any manufacturer found to be reproducing Porta Romana products will be breaching copyright law and will be actively pursued