

PORTA ROMANA



Clare Chandelier

MCL89 | Patinated Brass

Antique Brass with 3.5" Top Hat in Natural Linen

HEIGHT
540mm | 21 1/2"

CONSTRUCTED FROM
Patinated brass

RECOMMENDED SHADE
3.5 Top Hat

HEIGHT WITH SHADE
540mm | 21 1/2"

WEIGHT
2.8KG | 6.25LBS

MAX WATTAGE
40W

WIDTH
620MM | 24 1/2"

LAMP
6 X 450LM (5W) LED E14 CANDLE

MINIMUM DROP
630MM | 24 3/4"

VOLTAGE
220-240v

MAXIMUM DROP 63"

FINISHES

1. Antiqued Brass
2. Brass

CRATE CHARGES WILL APPLY, THIS PIECE REQUIRES A DEDICATED CARRIER

Clare Chandelier

MCL89

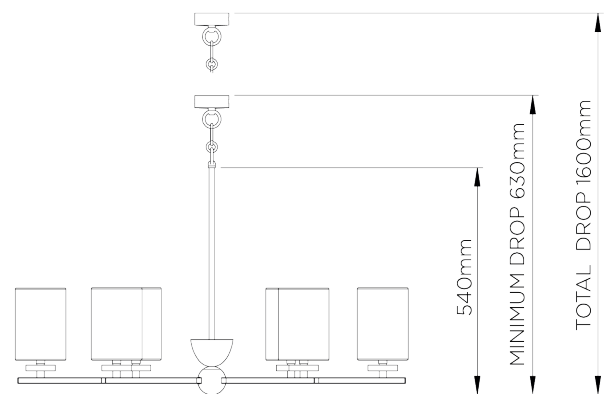
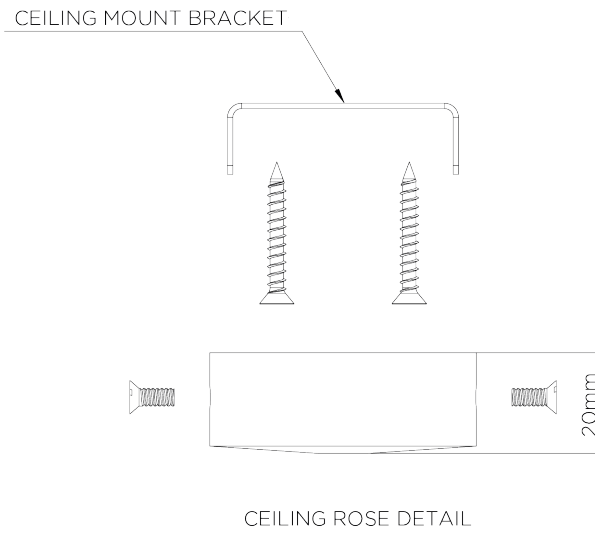
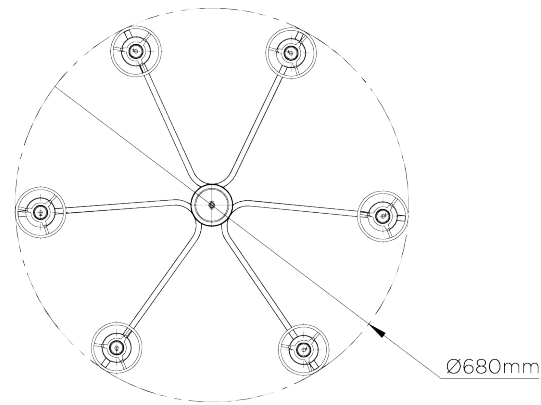
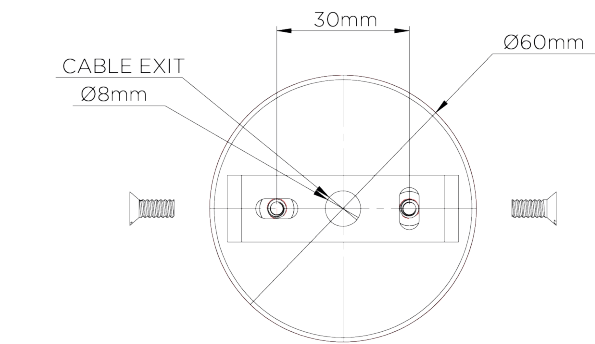
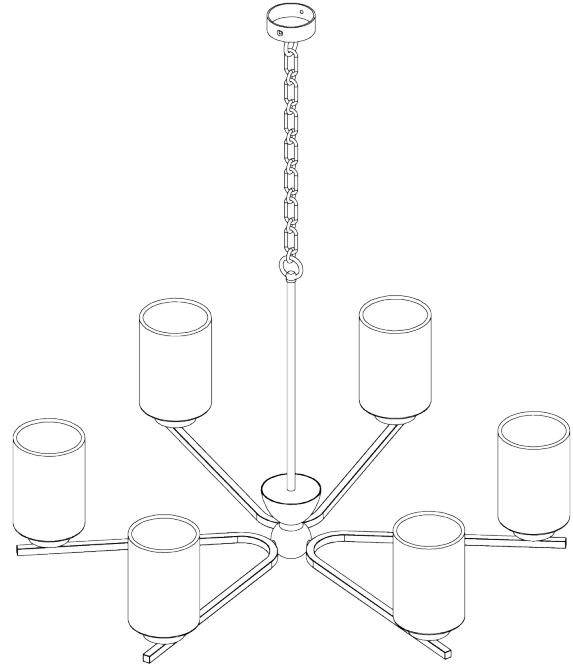
Height
1600mm | 63"

Height With Shade
630mm | 24 3/4"

Width
620mm | 24 1/2"

Minimum Drop
630mm | 24 3/4"

Maximum Drop
63"



© Porta Romana 2022

Dimensions and weights are provided as a guide. All Porta Romana Products are made by hand and variations can occur in some products. The products you are buying or marketing are exclusive designs belonging to Porta Romana. Please do not submit design sheets featuring our products to other manufacturing companies nor to other parties who might. Any manufacturer found to be reproducing Porta Romana products will be breaching copyright law and will be actively pursued