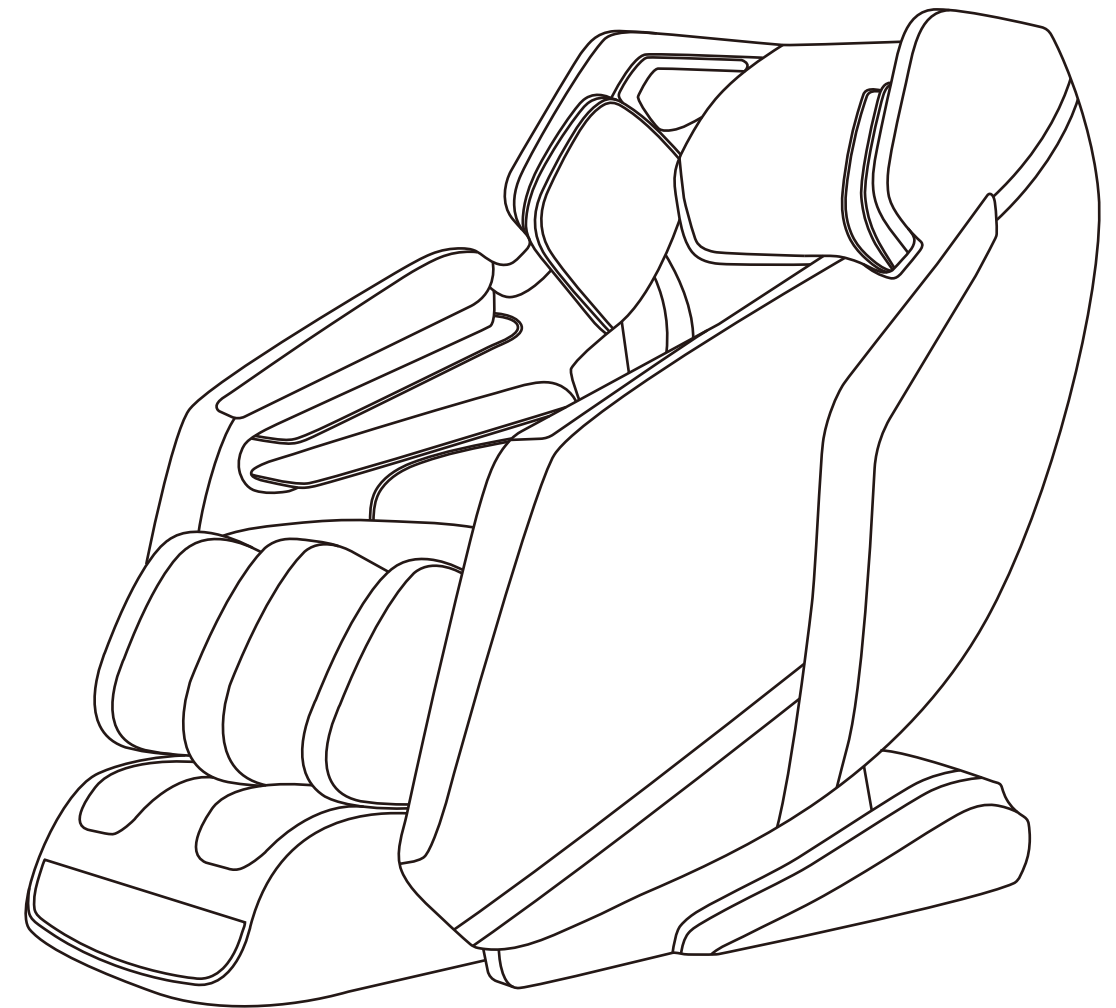




Massage Chair

R8658L
R8658LBRN
Manual



Questions, problems, missing parts? Contact technical support department at **657-341-0362, 9:00 a.m. - 5 p.m., PST, Monday - Friday** or **email cs@scsources.com**
Please have your model and serial number ready



M_R8658L_2021
M_R8658LBRN_2021
Printed in China

Contents

Thank you for purchasing eSmart massage chair.
Please read the owner's manual (operating manual) before use.

Safety Precautions.....	1-4
Grounding or double-insulation	5
Components & Descriptions.....	6
Before Use.....	7-16
Adjusting Massage Chair.....	16
Start Massage.....	17
After Use.....	17
Troubleshooting.....	18
Safety Check.....	18
Storage and Care.....	19
Specification.....	20

- This product is intended for residential use only.
- Use this product only as described in this manual. Any other use is not recommended by the manufacturer and may cause fire, electric shock or injury to persons.
- Remember to keep the manual in an easily accessible place.

Safety Precautions

IMPORTANT SAFETY INSTRUCTIONS

This massage chair is intended for household only. When using an electrical appliance, basic precautions should always be followed, including the following:

Read all instructions before using this massage chair.

DANGER-To reduce the risk of electric shock:

- 1) Always unplug this appliance from the electrical outlet immediately after using and before cleaning.
- 2) Never use pins or other metallic fasteners with this appliance.
- 3) Carefully examine the covering before each use. Discard the appliance if the covering shows any sign of deterioration, such as checking, blistering, or cracking.
- 4) Keep Dry - Do not operate in a wet or moist condition.

WARNING-To reduce the risk of burns, fire, electric shock, or injury to persons:

- 1) An appliance should never be left unattended when plugged in. Unplug from outlet when not in use, and before putting on or taking off parts.
- 2) Do not operate under blanket or pillow. Excessive heating can occur and cause fire, electric shock, or injury to persons.
- 3) Close supervision is necessary when this appliance is used by, on, or near children, invalids, or disabled persons. Keep children away from extended foot support.
- 4) Use this appliance only for its intended use as described in this manual. Do not use attachments not recommended by the manufacturer.
- 5) Never operate this appliance if it has a damaged cord or plug, if it is not working properly, if it has been dropped or damaged, or dropped into water.
Return the appliance to a service center for examination and repair.
- 6) Do not carry this appliance by supply cord or use cord as a handle.
- 7) Keep the cord away from heated surfaces.
- 8) Never operate the appliance with the air openings blocked. Keep the air openings free of lint, hair, and the like.
- 9) Never drop or insert any object into any opening.
- 10) Do not use outdoors.
- 11) Do not operate where aerosol (spray) products are being used or where oxygen is being administered.
- 12) To disconnect, turn all controls to the off position, then remove plug from outlet.
- 13) Temperatures sufficiently high to cause burns may occur regardless of the control setting. Do not use on an infant or invalid or on a sleeping or unconscious person. Do not use on insensitve skin or on a person with poor blood circulation. Check the skin in contact with the heated area of the appliance frequently to reduce the risk of blistering.
- 14) Do Not Crush - Avoid sharp folds.
- 15) Do not use massager in close proximity to loose clothing or jewelry.
- 16) Keep long hair away from massager while in use.
- 17) Connect this appliance to a properly grounded outlet only. See Grounding Instructions.
- 18) Remove control box when not in use, and store out of reach of children.
- 19) Burns will result from improper use, read instructions before using, do not wet-do not use pins, never remove cover.

Safety Precautions

IMPORTANT SAFETY INSTRUCTIONS

● Safety Precautions

- To ensure safe and correct use of the massage chair, do not operate it without reading this operation manual carefully.
- Do not use the massage chair when the upholstery or seat is removed. This may cause injury or malfunction.
- Do not use the massage chair in combination with other therapeutic equipment or electric blanket, etc., as this may result in ineffectiveness or injury.
- Do not use the massage chair an hour before or after eating as this may have adverse effects on the user.
- Do not allow children or pets to play around the massage chair, e.g., behind the backrest, under the seat or leg rest of the massage chair. This may result in injury.
- Do not rest or place heavy objects on the armrests, leg rest or backrest as this may result in malfunction or injury.
- Do not use the massage chair when your body is wet.
- Do not operate the massage chair with wet hands.
- It is not recommended to use the massage for more than 15 minutes.
- Do not perform continuous massage on the same spot of your body for more than 5 minutes at a time as this may result in excessive stimulation and may have adverse effects.
- Do not insert your hand or foot along the paths of the massage rollers during use as this may cause injury.
- Stop operation immediately if you experience any discomfort.
- This product is not intended for self-treatment of conditions that should be managed by a qualified health care provider.
- People on medication or with medical conditions, please consult your doctor before use.
- Please do not use the product if you are not feeling well.
- Remove all scarves, neckties, necklaces and jewelry before using the massager.

People with Medical Conditions

Consult your doctor before use if you:

- are under medical rest as ordered by a doctor.
 - have spinal disorders, an abnormal spinal condition or have suffered a spinal injury.
 - have back problems.
 - have diabetes, osteoporosis or sensory impairment.
 - have joint dysfunction.
 - have a pacemaker or other electronic medical devices.
 - may be pregnant.
 - have phlebitis or thrombosis.
 - have an increased risk for blood clots.
 - had recent surgery.
 - have surgical pins, screws, or anything mechanical implanted in your body.

Safety Precautions

SAVE THESE INSTRUCTIONS

Safety Instruction

•WARNING

The power plug must be fully inserted into and appropriate outlet. Improper connection of the equipment-grounding conductor could result in an electric shock.

Check with a qualified electrician and servicemen if you are in doubt as to whether the product is properly grounded. Do not modify the power plug provided by the product. If the outlet is not suitable, please ensure that a proper outlet is installed by qualified Electrician.

When using the massage chair, basic precaution should always be followed to reduce the risk of electric shock, an injury or burns to the person.

Read the following details before usage:

1. Do not use the massage chair outdoors and avoid places with direct sunlight.
2. Do not use the massage chair in places where the humidity is high.
3. Do not use the massage chair near any heating device or fire.
4. Do not use the massage chair when smoking.
5. Recommended to unplug the power supply after use.
6. Please ensure that a proper outlet is installed by qualified electrician, Improper connection of the equipment-grounding conductor could result in an electric shock.

⚠ Caution

- The massage chair is to be used indoors only.
- If you use the massage chair in a cold room, do not increase the room temperature abruptly. It is recommended that you increase the temperature gradually to a normal level.
- If the massage chair is stored in a cold place and is being brought into a warm environment, it is advisable to wait one hour before use. This is because its performance may not be at optimum level, as there may be water droplets on the mechanical parts due to condensation. Using the massage chair under such conditions may result in malfunction.

User-Maintenance Instruction

User-maintenance instructions shall include:

- a) Instructions for cleaning and user maintenance operations recommended by the manufacturer, such as lubrication or nonlubrication, and a statement to the user that any other servicing should be performed by an authorized service representative or that the appliance has no user serviceable parts.
- b) Instructions for an appliance employing an automatically reset thermal limiter that shuts off the entire appliance shall inform the user what to expect if the thermal limiter operates
- c) Specific instructions for the proper method of storage of the cord, the total appliance, and the like, when the appliance is not in use, and for care of the cord while in use (for example, for a hand-supported product, untwisting)
- d) In the case of an appliance intended to be used with water additives, conditioners, or other solutions with or without water, specific instructions regarding the proper liquid or additive to use and the amount to be used in conjunction with the appliance

Safety Precautions

⚠ Caution

- The massage chair is not intended for use by children or persons with reduced physical, sensory or mental capabilities, or lack of experience and knowledge, unless they have been given supervision or instruction concerning use of the massage chair by a person responsible for their safety.
- Children should be supervised to ensure that they do not play with the massage chair.
- Avoid using the massage chair under the influence of alcohol.
- Do not apply massage rollers directly on the head, elbow or knee joints, torso or abdomen.
- If your legs or feet slip off the leg rest during massage, do not force them back in as this may result in injury.
- Remove the power plug from the electrical outlet immediately should liquid be accidentally spilled onto the massage chair. Do not use wet hands to connect or disconnect the power plug from the electrical outlet.
- Do not tamper with the power cord or use the massage chair with a damaged cord as this may result in malfunction and electric shock.

• Instances When the massage chair Should Not Be Used

In the following events, please switch off the main power switch immediately and disconnect the power cord from the electrical outlet:

- If water is accidentally spilled onto the massage chair. This may result in electric shock or malfunction.
- If the fabric of the backrest is torn and the internal components are exposed.
- If pain or discomfort is felt during massage, stop operation immediately and consult your doctor.
- If you detect any malfunction or any other abnormal condition during operation.
- If there is a power failure. Injury may occur when power is restored unexpectedly.
- If there is lightning.

• Assembly and Repair of the massage chair

- Do not disassemble the backrest cover of the massage chair. Touching the internal components may result in malfunction or electric shock.
- The massage chair must only be professionally serviced or repaired. Do not attempt to disassemble or repair the massage chair yourself.

• Things to Note About the Power Plug and Cord

- Check that the Alternating Current (AC) voltage corresponds with the specifications indicated for the massage chair.
- Do not connect or disconnect the power plug from the electrical outlet with wet hands. This may result in malfunction or electric shock.
- When disconnecting the power plug, pull it by holding the plug, not the cord.
- Although operation will be stopped automatically by the Auto-Timer function, always remember to switch off the main power switch after use.
- Do not place the power cord under the massage chair or any other heavy objects.
- Do not wind the power cord around the massage chair as this may damage the cord and result in a fire or electric shock.
- Do not operate the massage chair with a damaged cord or extension cord.
- Do not use the massage chair if the electrical outlet is loose.
- If the power cord is damaged, it should be replaced by a qualified technician.

Grounding or double-insulation.

This product must be grounded. If it should malfunction or breakdown, grounding provides a path of least resistance for electric current to reduce the risk of electric shock. This product is equipped with a cord having an equipment-grounding conductor and a grounding plug. The plug must be plugged into an appropriate outlet that is properly installed and grounded in accordance with all local codes and ordinances.

DANGER- Improper connection of the equipment-grounding conductor can result in a risk of electric shock. Check with a qualified electrician or serviceman if you are in doubt whether the product is properly grounded. Do not modify the plug provided with the product-if it will not fit the outlet, have a proper outlet installed by a qualified electrician.

b) For a grounded, cord-connected product rated less than 15 A and intended for use on a nominal 120-v supply circuit, the instructions in either (1) or (2):

1) This product is for use on a nominal 120-v circuit, and has a grounding plug that looks like the plug illustrated in sketch A in Figure 86.1 A temporary adapter that looks like the adapter illustrated in sketches b and c may be used to connect this plug to a 2-pole receptacle as

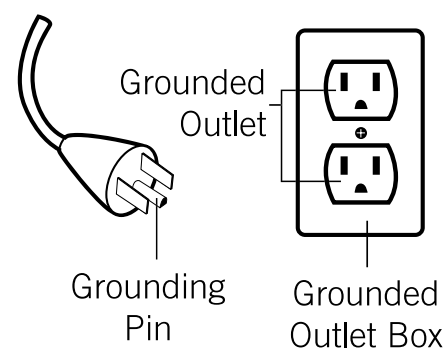
shown in sketch B if a properly grounded outlet is not available. The temporary adapter should be used only until a properly grounded connected outlet (sketch A) can be installed by a qualified electrician. The green colored rigid ear, lug, or the like extending from the adapter must in place by a metal screw.

2) This product is for use on a nominal 120-v circuit and has a grounding plug that looks like the plug illustrated in sketch a in Figure 86.1 Make sure that the product is connected to an outlet having the same configuration as the plug No adapter should be used with this product.

c) For all other grounded, cord-connected products:

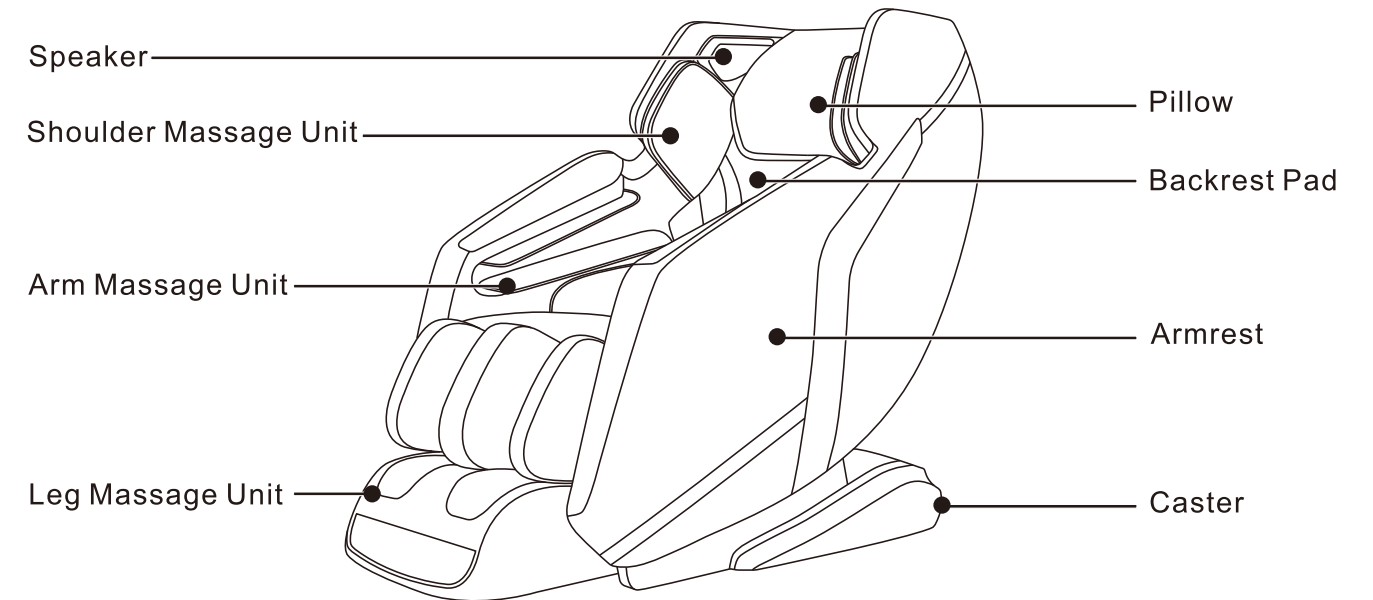
This product is for use on a circuit having a nominal rating more than 120-v (or This product is rated more than 15 a and is for use on a circuit having a nominal rating of 120v") and is factory-equipped with a specific electric cord and plug to permit connection to a proper electric circuit. Make sure that the product is connected to an outlet having the same configuration as the plug. No adapter should be used with this product If the product must be reconnected for use on a different type of electric circuit the reconnection should be made by qualified service personnel.

d) For a permanently connected product



Components & Descriptions

● Chair



● Power cord and power socket

Attention1: Before inserting power cord, please ensure main power switch is off.
Attention2: Do not disassemble or replace the power cord when it is damaged. A retailer or a qualified professional shall be needed.

● Main power switch

Turn on the main power switch, massage chair into standby mode

Before use

- When the temperature is too low to run the machine, please increase the ambient temperature gradually, do not increase the temperature in sudden. Please move the chair to the warm place and keep on waiting for 1 hour before starting. Or it will result in moisture of parts and abnormal operation.

→ Or it will result in moisture of parts and abnormal operation.

Where to place the chair

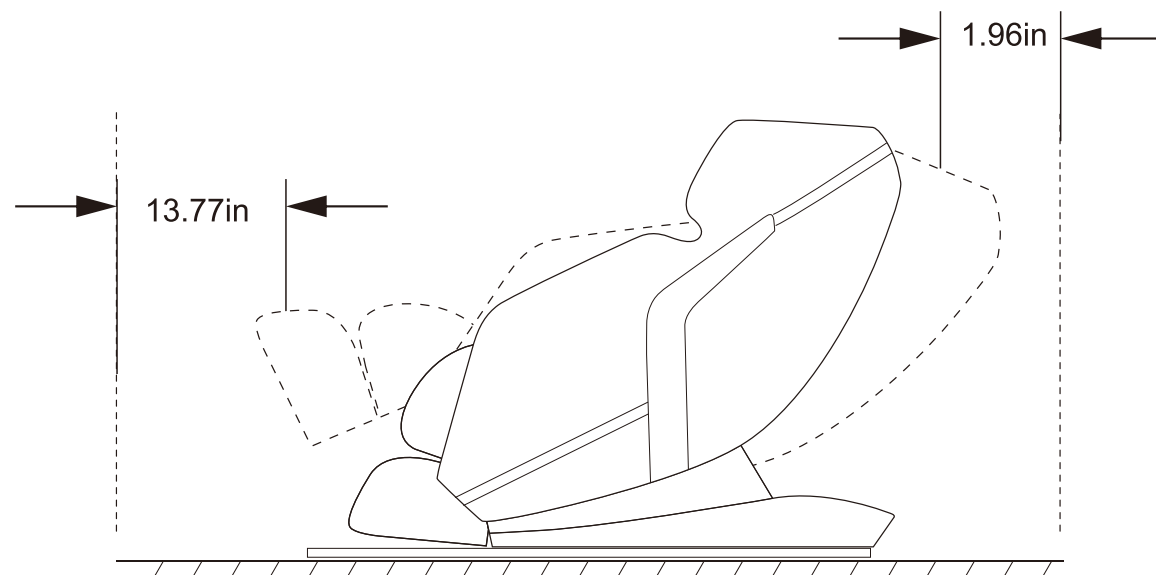
Please make sure that the massage chair has about 13.77in in front of it, leaving about 1.96in behind the chair to allow free reclining of the backrest.



CAUTION

- Please do not use in a humid place such as sauna or bathroom.
- Place on a levels surface before use.
- Please do not use in the following situations: in a utility room or dusty place or in high temperatures (over 40 °C).
- Do not place it in the sun or near heating appliances.
- Please keep cigarettes, ashtrays or flammable goods away from the massage chair.

- To prevent damage to the floor and reduce noise, please lay carpet under the massage chair (do not use an electric blanket).
- Please be careful placing this machines, as it is heavy.
- To avoid excessive noise, make sure the massage chair is a minimum of 39.37in away from the TV radio and other AV machine.

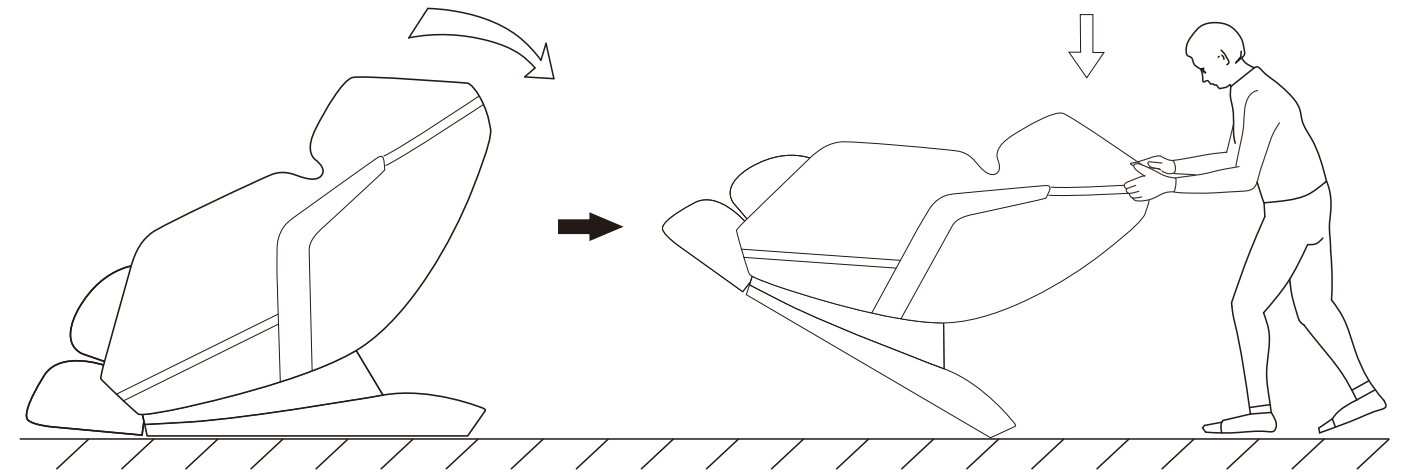


How to move

When moving, please turn off main power switch, then unplug the power plug.

Using caster to move

- Please put the back of the chair to the bottom and then hit the rear wheel, then move.
- Lift up the calves-rest, then recline the chair to approximately 45 degrees to easily move the chair around the house with as slight pull or push.



CAUTION

- The chair cannot be moved if the passage is less than 29.72in in width.
- Contact the dealer in case you cannot move the chair normally.
- Due to the heavy weight of the chair, make sure that it will not damage your waist or other parts of your body during moving.
- Controller is connected to the chair, make sure it does not fall during moving.
- Do not move the chair with person loaded.
- Please move the chair after unplugging.
---> Otherwise it may cause damages to the power plug, causing fire disaster or electric.

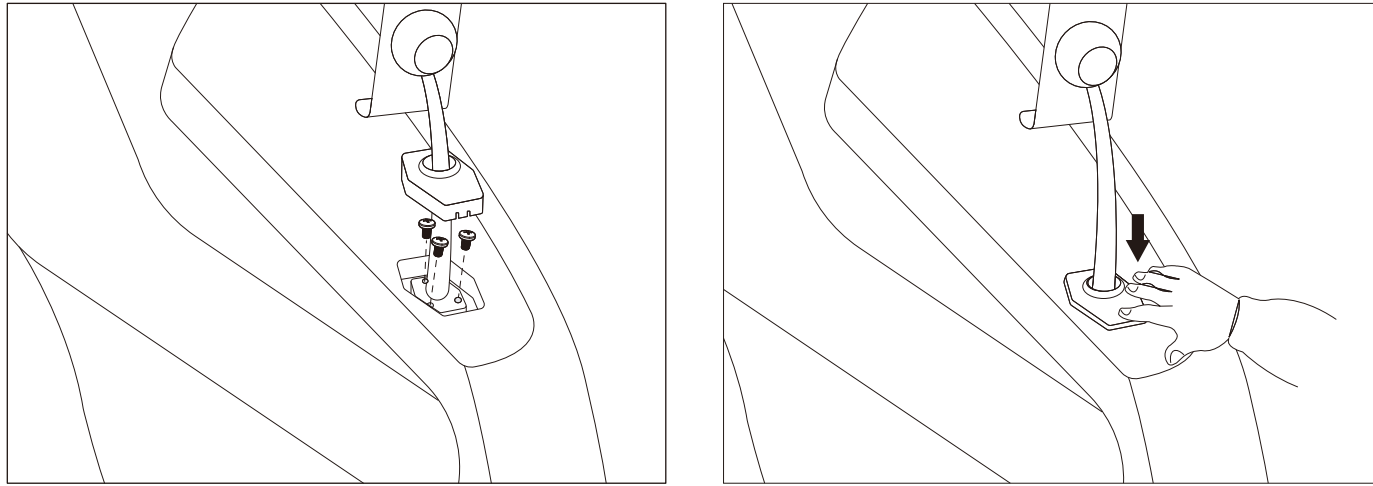
Bluetooth

This massage chair has two Bluetooth speakers built in to play your music via a compatible Bluetooth enabled music device.

1. Press Bluetooth button on the remote control.
2. Using your Bluetooth music player, locate the massage chair name "R8658L" "R8658LBRN"
3. Connect and enjoy your music.

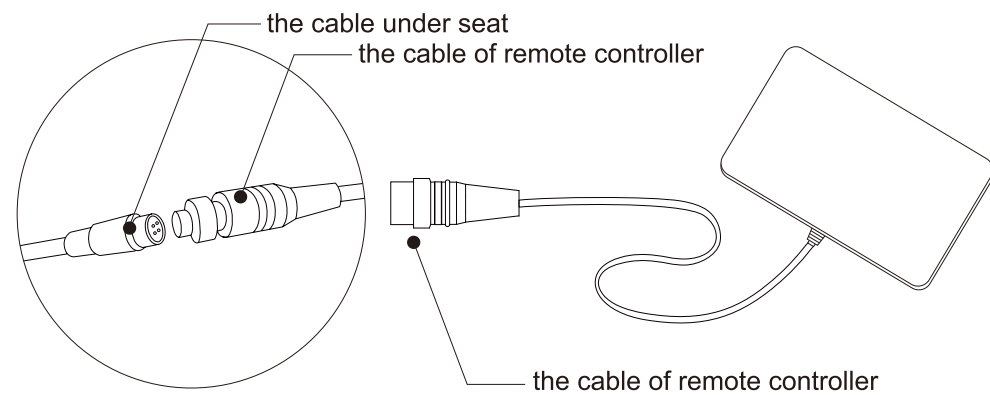
Install the Touch Screen Pad

- Aligned holes, lock screw.
- Press down to align the snap.



Remote Controller Connection

- Connect the cable of remote controller with the cable under seat.



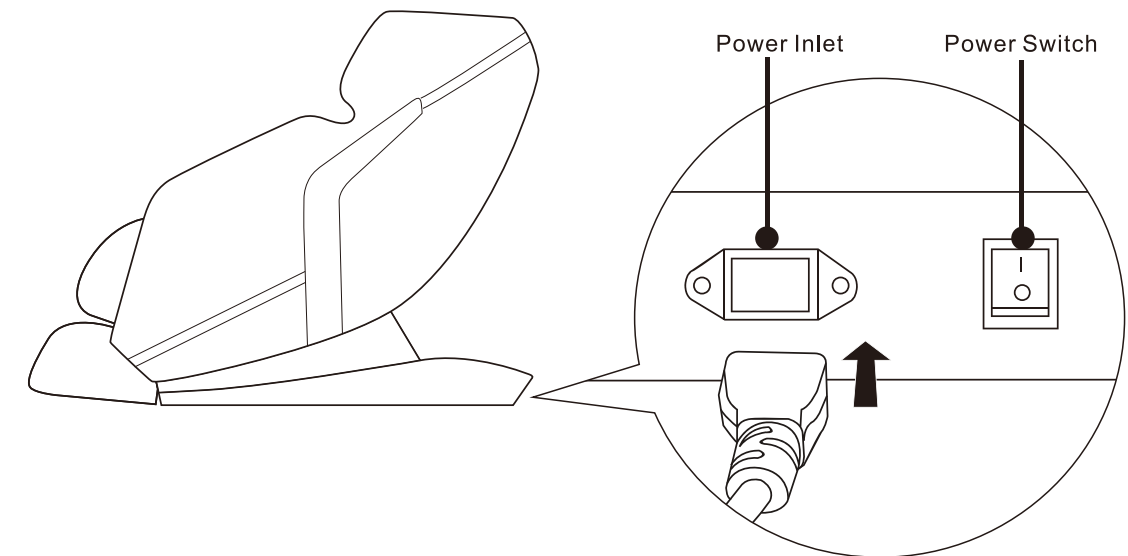
Place the headrest pad

- Attach the upper backrest pad to backrest with zipper.
- Attach the pillow pad to backrest with velcro.



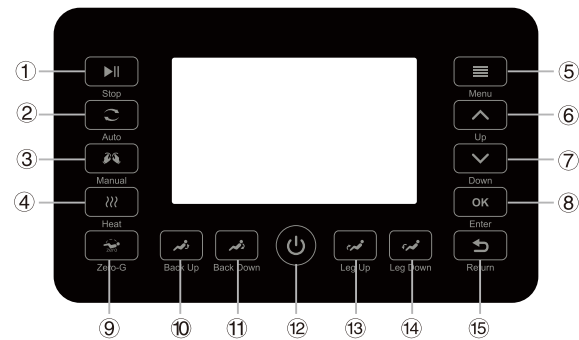
How to switch on the power

- Plug the power cord into power inlet, turn on the power switch.



Touch Screen Instructions

Controller

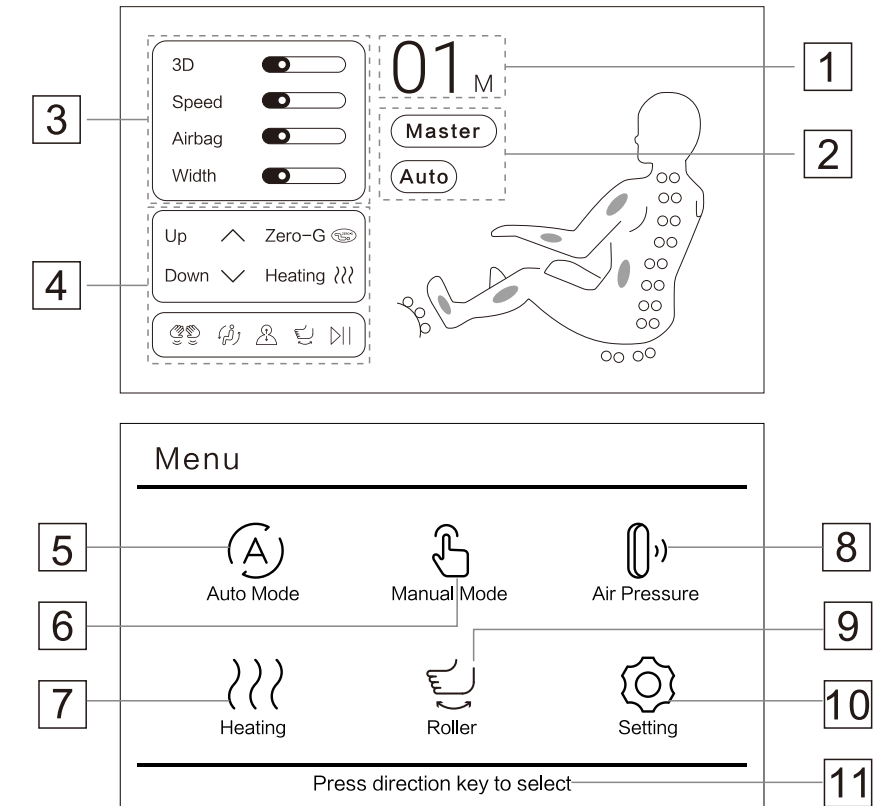


Function	Button	Instruction
①	Stop	Press this button to pause the massage function. Press again to resume the original massage function.
②	Auto	Press this button to switch between multiple automatic program functions. The specific display is subject to the actual product.
③	Manual	Press this button to switch between multiple massage technique. According to your physical condition, you can choose a suitable massage technique for targeted massage.
④	Heat	Press this button to turn ON/OFF the heating function.
⑤	Menu	Press this button to enter the menu options screen.
⑥ ⑦ ⑧	Up/Down/ Enter	Press up and down to select the corresponding function, and press the enter key to confirm the use of the function. In the shoulder and neck detection or manual mode of the partial and fixed point modes, long press the up and down keys to control the mechanism position.
⑨	Zero-G	Press this button to turn off or switch between the two available zero gravity modes.
⑩ ⑪	Back Up / Back Down	Press the Back Up/Down button to adjust the backrest angle.
⑫	Power	Powers the massage chair ON/OFF.
⑬ ⑭	Leg Up / Leg Down	Press the Leg Up/Down button to adjust the leg angle.
⑮	Return	Press this key to return to the previous screen interface.

Touch Screen Instructions

Control Display

(Below display images may vary based on actual product.)

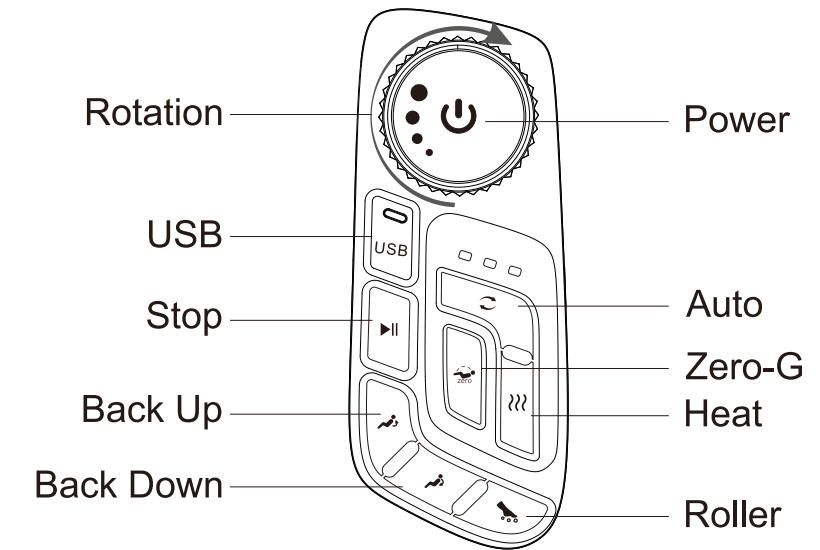


- ① Massage Time.
- ② Massage Mode.
- ③ Massage Intensity.
- ④ Massage technique and other functions.
- ⑤ Can choose a variety of automatic massage procedures for targeted massage (Recommend).
- ⑥ Can choose a variety of manual massage procedures for targeted massage.
- ⑦ Can choose to turn on or off the heating function.
- ⑧ Can adjust air bag massage part and air bag strength.
- ⑨ Adjustable roller massage speed or turn off this function.
- ⑩ Can adjust the massage time. Multiple choice of language.
- ⑪ Operation Instruction.

Touch Screen Instructions

Function	Description	Intensity
01-Master	Full body massage,the intensity of roller and airbag massage are more strong.	Medium
02-Relaxing	Relaxing mode, full body massage, medium intensity for roller and airbag massage.	Medium
03-Sport Care	Full body massage, specially designed for athletes and fitness person.	Medium
04-Soft	Suitable for the elderly and children, full body massage, rollor and airbag massage in the lightest way to improve back pain and leg cramp for the elderly.	Low
05-Stretch	Full body massage that stretches the legs, back, and arms.	High
06-Sleep	Full body massage, push rod up/down, slow swing function, light intensity for rollers.	Low
07-SPA	The rollor is not working, the full body airbag massage and the foot roller are as relaxing as the SPA.	Medium
08-Refreshing	Full body massage, wake up the body, stronger intensity for rollor and airbag massage.	Medium
09-Spine Care	Full body massage, medium intensity for airbags, focus on shoulder and neck massage, improve long-term sedentary neck and shoulder pain for office workers.	Medium
10-Waist&Back	Partial massage, focus on the back and back massage to improve back pain, the rollor is focusing more on the waist back massage.	Medium
11-Neck&Shoulder	Partial massage, focus on improving neck pain and shoulder muscle strain, the rollor is focusing more on the neck and shoulder massage.	High
12-Slim	Full body massage, helpful for slimming waist and hip.	Low

Shortcut Key



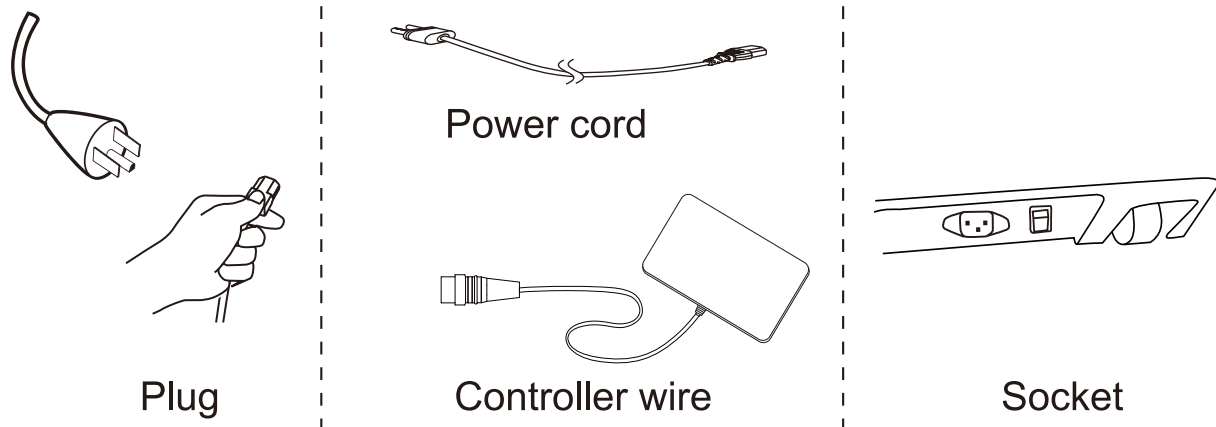
Function	Button	Description
Power		Press to power ON/OFF.
Rotation		Rotate clockwise to increase 3D Massage strength and counterclockwise to decrease from levels 1 to 5.
Stop		Press this button to pause the massage function. Press again to resume the original massage function.
Auto		Press this button to switch between multiple automatic program functions. The specific display is subject to the actual product.
Heat		Press this button to turn ON/OFF the heating function.
Zero-G		Cycles between the 2 available zero gravity modes and OFF.
Back Up / Back Down		Press the Back Up/Down button to adjust the backrest angle.
Roller		Press the button to activate Roller, Press again to stop this function.

※ If the rollers get stuck, turn off the switch and press the ON/OFF button, the roller will be back to its initial position.

! WARNING	<ul style="list-style-type: none"> ● Do not connect power cord to an external transformer
! CAUTION	<ul style="list-style-type: none"> ● Ensure the main power switch is off before plugging the power socket or controller. ● Please insert power plug and controller plug fully ● Read this manual book carefully before using, set the chair according to the requires, ensure normal operation

Connecting the power

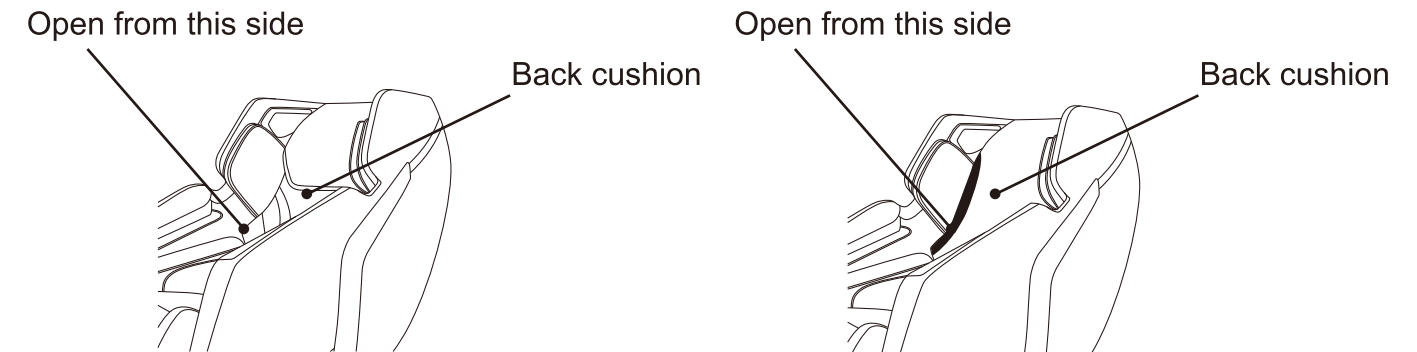
Check the power cord, power plug, socket on the chair, main power switch, controller are unbroken for the first time use or use after long time storage. Then plug power cord.



Confirm the fabric

Make sure if the fabric is damaged according to the following procedures before use.

- ① Open zipper and back cushion from one side
- ② Put your hand between cushion and backrest to see if the fabric is damaged.



Before using the chair, confirm that whether there is damage in the material of the armchair or of other parts. In case of damage, even the smallest tearing, in the chair, please stop using it immediately, turn off the power switch, unplug the chair, and contact the customer service center. Never use the armchair with dismantled cushion or damaged material, otherwise there will be serious safety hazard.

Adjustment of chair angle

- Raise the backrest**
Press this button to raise the backrest. Press the button again to confirm the position when the backrest is at the desired angle
- Decline the backrest**
Press this button to decline the backrest. Press the button again to confirm the position when the backrest is at the desired angle.

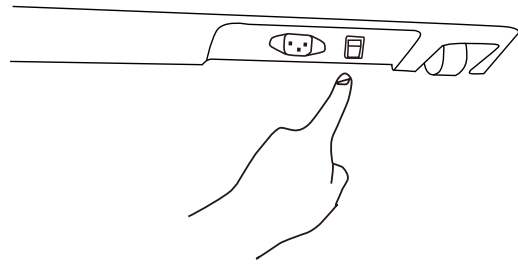
Attention: When main power switch that is at the back of the chair is on, angle adjusting can still be done even not pressing On/Off button of controller. However angle adjustment is unavailable when in emergency stop condition.



When adjusting angle, please make sure there is no person (Especially children) or pet around. Besides, Please make sure that the massage chair has about 13.77in in front of it, leaving about 1.96in behind the chair to allow free reclining of the backrest.

Start massage

1. Connecting the power, turn on main power switch



● In the Auto Mode

You may change from one massage program to another at any time without having to wait for it to complete. The twinkled button is the current massage mode

● In the Manual Mode

You may change from one massage program to another at any time without having to wait for it to complete.

After use

Rise the chair up and lower the footrest completely.

Press ON/OFF key to turn off the chair, wait until chair gets back to its initial status.

After airbags deflate completely, rollers get back to its initial position, sole massage stops, heating stops, then step out of the legrest. Do not stand in the legrest. Turn off main power switch, unplug power plug.

! CAUTION

After you use the chair, turn off the main power switch, and unplug the power plug from the socket.

→ Otherwise, accident or injuries may be caused by children or pets.

After you use the chair, be sure to raise back completely and lower the footrest completely.

After you use the chair, please clean it and place it in dry places.

When unplugging the power cord, please do not pull it directly; instead, you should unplug it pinching the power plug.

Please be sure to put the power cord away in prevention of tripping over.

Troubleshooting

If there is still a problem after trying the solutions given in this troubleshooting guide, stop using the chair immediately to prevent accident or injury, and unplug the power plug from the wall outlet. Contact the vendor or your nearest service center for assistance.

Problem	Causes and troubleshooting
The massage chair can not operate even though it has been connected to the power supply.	<ul style="list-style-type: none"> ● Check whether the plug is well connected and working well. ● Check whether the main switch on the massage chair is turned to position "I".
During operation, the controller is working, but the chair can not work	<ul style="list-style-type: none"> ● The massage chair could be overheated after prolonged use. It will automatically cool down to resume its normal condition. ● Please turn off the power and allow the chair to cool down for 30 or 50 minutes.
During operation, both the controller and the massage can not work	<ul style="list-style-type: none"> ● If the set-time in the Timer is complete, please press the timer function again to resume operation. ● Switch OFF the power and switch ON again to restart the chair.

Safety check

Regular Maintenance Will Preserve the Life of Your Chair

Have you experienced any of these problems?

- The chair does not start with the Main POWER switch set to ON.
- The power cord has been cracked or scratched.
- The power cord or plug becomes abnormally hot.
- The chair produces a burnt smell, abnormal sound or vibration.
- The auto timer function does not work in some cases.
- Other failures.

If you find anything listed on the left, stop using and unplug the power cord from the outlet to prevent failure or an accident. Be sure to contact the vendor or our service center for maintenance.

To use safely

The chair fabric (roller fabric) is a consumable part, and its service life is 3 years (conditions of use: two 15-minute sessions a day, every day).

For safe use, periodic inspection by the vendor is recommended before the end of its service life.

* Durable years vary depending on conditions of use.

* After about five years of use, a professional inspection is recommended even if there are no symptoms or problems. For inspection fees, contact the vendor.

Storage and care

Storage

- After cleaning the dirt and dust, place the chair in a dry place.
- If the chair is left unused for a while, please cover the chair to prevent from dust.
- Pets sometimes chew on power cord, so try to keep the pets away from the chair even when it is stored.

CAUTION Do not install the chair where it can come into contact with direct heat, such as direct sunlight or a radiator.

Care and Maintenance

CAUTION ● When cleaning the chair, be sure to unplug the power plug from the wall outlet first. Do not plug or unplug the power plug with wet hands.

[Caring for the Back Pad and Covers]

Soak a piece of soft cloth in lukewarm water in which a small amount of mild detergent has been added. Then thoroughly wring it out before cleaning off any spots or grime.

CAUTION ● The fabric color can change if the chair is in contact with vinyl covers or wall coverings for a prolonged period of time.

[Caring for Other Plastic Parts]

Soak a piece of soft cloth in lukewarm water in which a small amount of mild detergent has been added, thoroughly wring it out, and clean off any spots or grime. Then wipe with a dry cloth so that no detergent residue remains.

CAUTION ● Do not use alcohol-based or other household cleaning products or abrasives because they can scratch or crack the finish or cause color to fade.

[Caring for the Remote Control]

Wipe dirt off the remote control with a dry cloth.

CAUTION ● Never use a moistened or wet cloth. May result in a mechanical failure.

Product specification

Type	R8658L R8658LBRN
Power	AC120V~ 60Hz
Rated power	160W
Dimension	Approx 30.35in*60in(63.62in)*44.48in(37.51in)(W*L*H) The length and height figures in () represent the dimensions when fully reclined.
Weight	About 198.41lb
Outer material	PU leather
Accessories	Main power cord, Controller, manual book, warranty card, accessories bag for installation

