

Ma*i*[®]
CLIMBER
»XL

FULL-BODY WORKOUT

AS SEEN ON
TV

PULLEYS (#33) KIT
SKU 400-002-382

PULLEYS NEW VERSION (#33) KIT
SKU 400-002-468

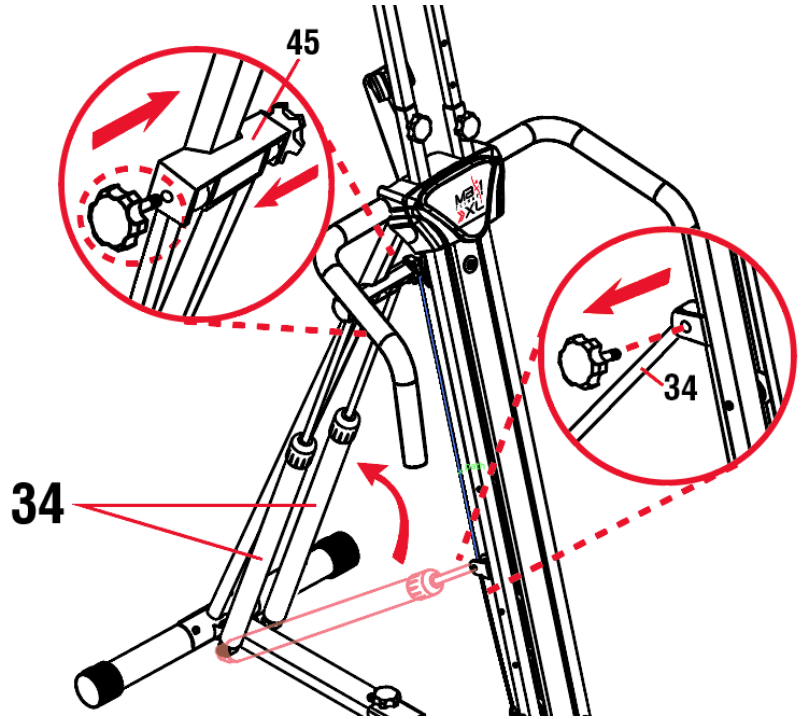
PART #33
REPLACEMENT MANUAL



PART #33 REPLACEMENT MANUAL

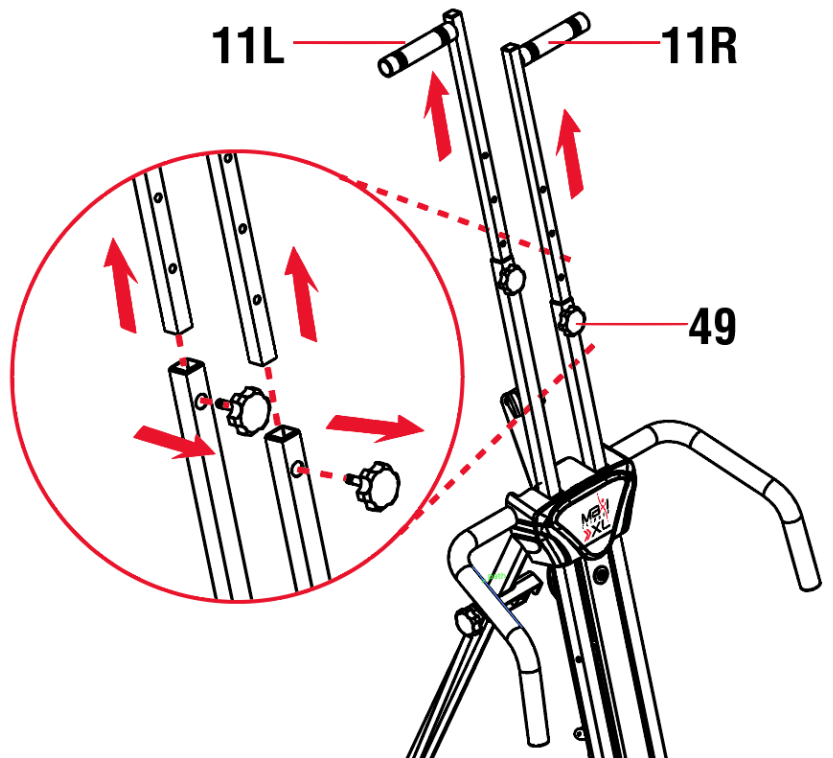
STEP 1

Remove the knobs (25) that secure the pistons (34), then remove the pistons (34) from the adjusting tubes (9 and 10) and place them on the cylinder bracket (45), then secure pistons with knobs (25).



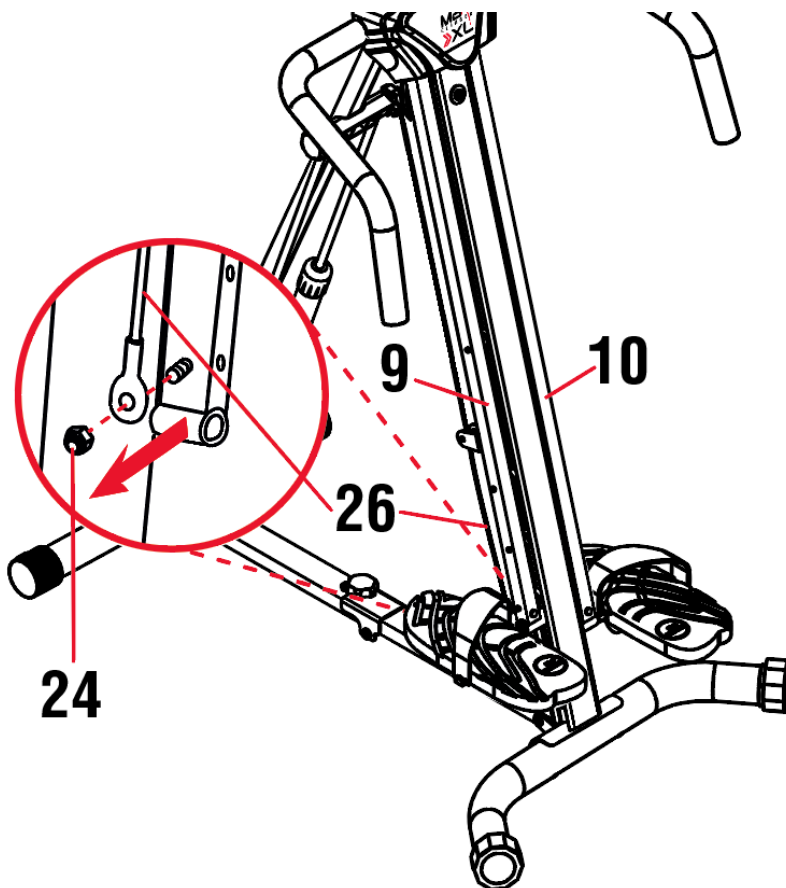
STEP 2

Remove the upper handlebars (11) by removing the knob (49).



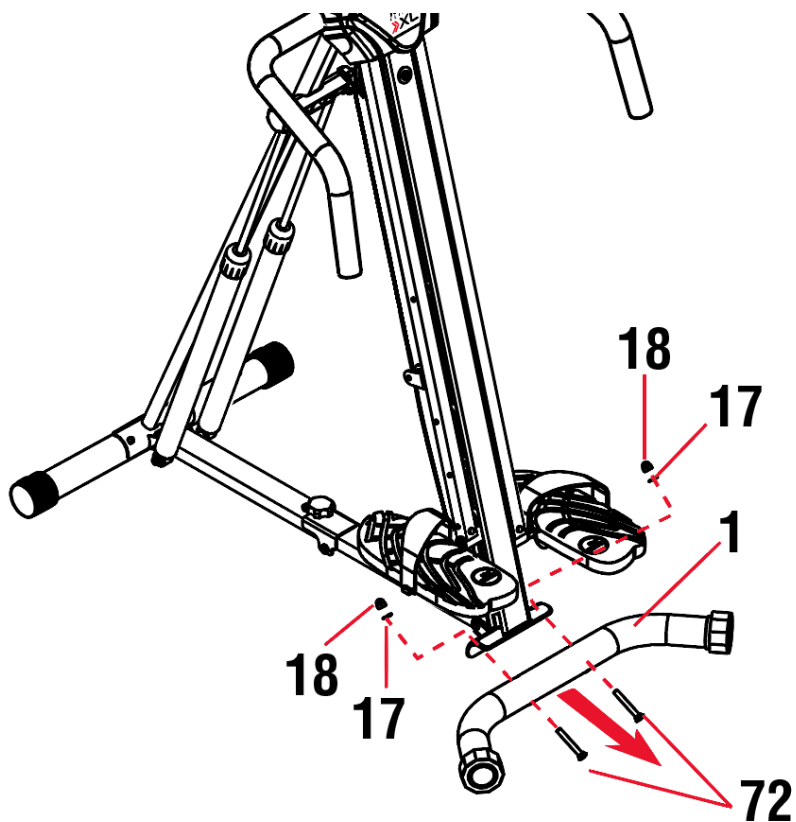
STEP 3

Take off the steel rope (26) from the adjusting tubes (9 and 10).



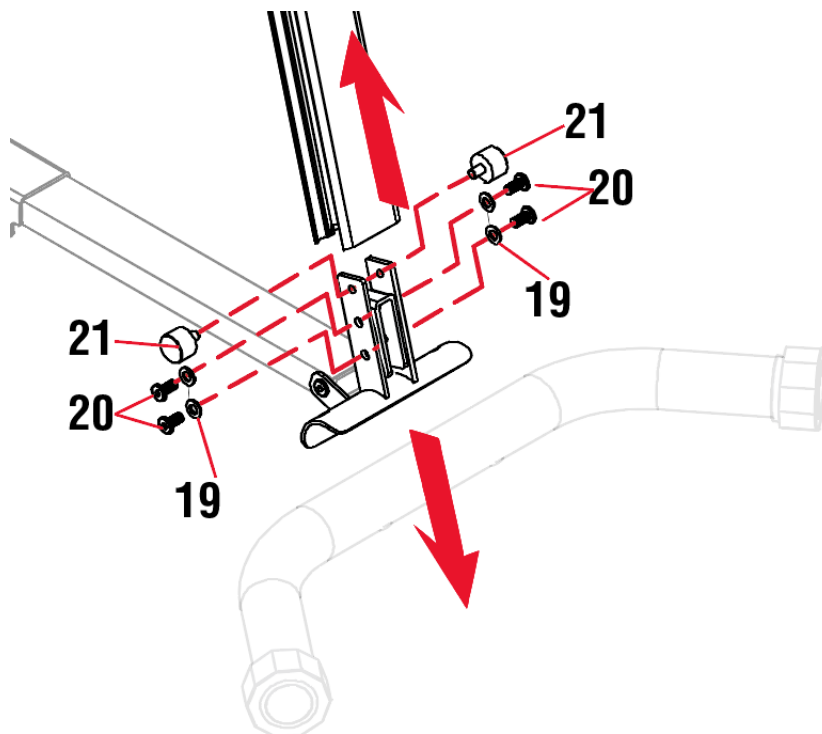
STEP 4

Take away the curved stabilizer (1) by removing the screws, nuts and washers (17, 18 and 72).



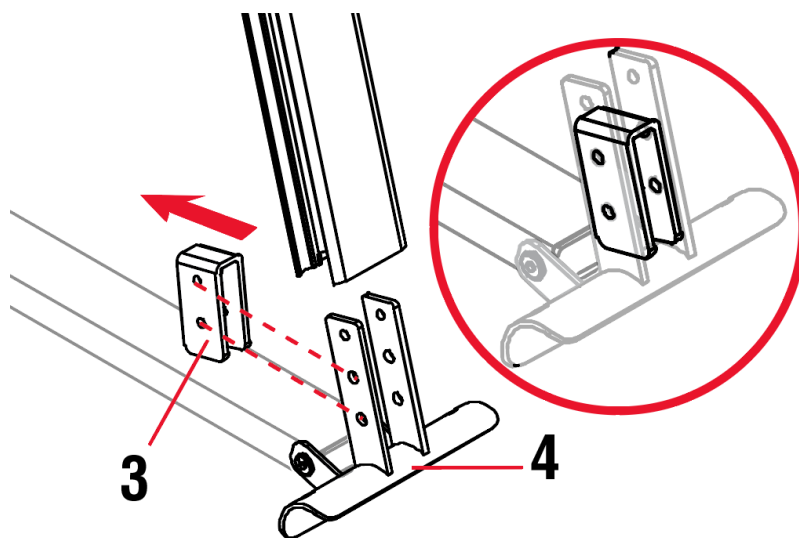
STEP 5

Remove the screws, nuts, washers and cushions from the bottom of the machine (19, 20 and 21).



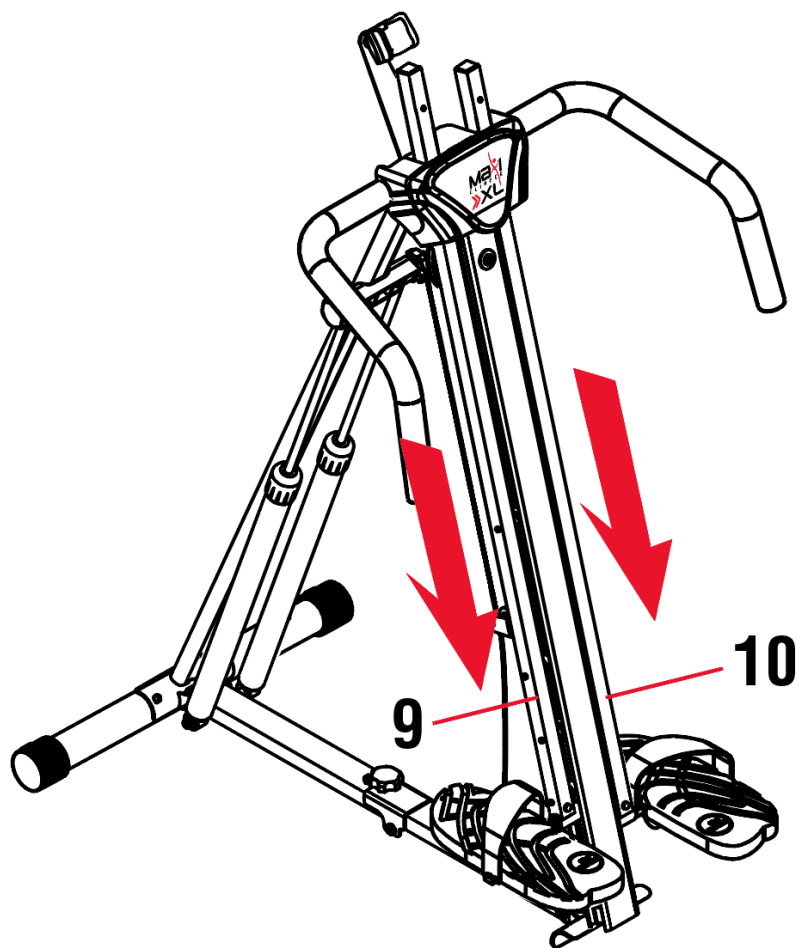
STEP 6

Take off the connecting sheet of rear stabilizer (4) and the U bracket will come out too (3).



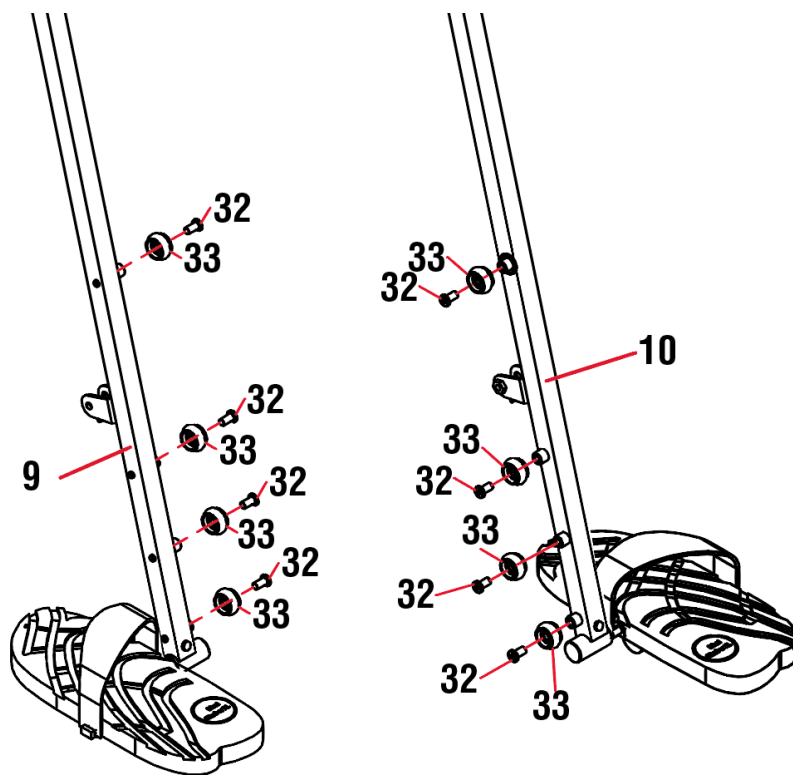
STEP 7

Slide the adjusting tubes (9 and 10) towards the bottom of the machine until they come out completely.



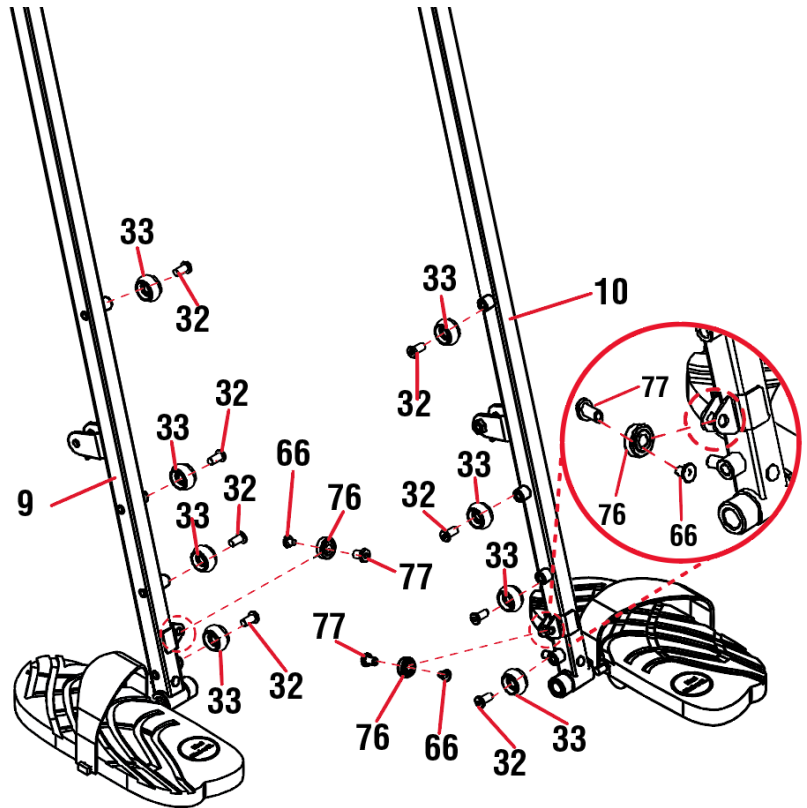
STEP 8 (4 pulley version)

From adjusting tubes (9 and 10) remove the screws (32). Take off the pulleys (33) so you can replace them for new ones.



STEP 8 (5 pulley version)

From adjusting tubes (9 and 10) remove the screws (32). Take off the pulleys (33) so you can replace them for new ones. Then remove cross head bolt (66) and the flat head bolt (77) to remove plastic roller (76) and replace them for new ones.



For reassembly repeat steps 1 to 7 in reverse order.