



**WORX**  
it's your nature

Owner's manual



**Users can view the electronic instructions at <https://eu.worx.com/en/landroid/vision-technology/>.**

## **PRODUCT SAFETY**

### **GENERAL SAFETY WARNINGS**

**⚠ WARNING:** Read all safety warnings and all instructions. Failure to follow the warnings and instructions may result in electric shock, fire and/or serious injury.

**Carefully read the instructions for the safe operation of the machine.**

**Save all warnings and instructions for future reference.**

-This appliance is not intended for use by persons (including children) with reduced physical, sensory or mental capabilities, or lack of experience and knowledge, unless they have been given supervision or instruction concerning use of the appliance by a person responsible for their safety.

-Children should be supervised to ensure that they do not play with the appliance.

**WARNING:** For the purposes of recharging the battery, only use the detachable supply unit provided with this appliance.

**WARNING:** To reduce the risk of injury to persons and damage to the machine, do not remove battery pack before switching off the machine.

#### **Do not expose the appliance or battery to excessive temperatures:**

1. rechargeable batteries are to be removed from the appliance before being charge;
2. different types of batteries or new and used batteries are not to be mixed;
3. exhausted batteries are to be removed from the appliance and safely disposed of;
4. if the appliance is to be stored unused for a long period, the batteries should be removed;
5. do not use non-rechargeable batteries in place of rechargeable batteries;
6. do not use modified or damaged batteries;
7. **WARNING:** Use only with WA3750.1 battery charger or additional battery chargers listed in Operator's Manual.

### **IMPORTANT**

#### **READ CAREFULLY BEFORE USE**

#### **KEEP FOR FUTURE REFERENCE**

#### **Safe operation practices**

##### **Training**

- a) Read the instructions carefully. Make sure you understand the instructions and be familiar with the controls and the proper use of the appliance.
- b) Never allow people unfamiliar with these instructions or children to use the appliance. Local regulations can restrict the age of the operator.
- c) The operator or user is responsible for accidents or hazards occurring to other people or their property.

##### **Preparation**

- a) Ensure the correct installation of the automatic perimeter delineation system as instructed. This machine works without boundary wire or virtual boundary. It can automatically identify the working area and non-working area through the camera. Once the machine is turned on, the camera will automatically turn on and work at the same time. The machine recognizes that the lawn is the working area through the camera, and the non-working area that is not the lawn. When the machine walks to the boundary between lawn and non-lawn, it will automatically turn to return to the working area. Add a magnetic strip to separate it from the neighbor's lawn. The machine returns when it encounters a magnetic strip while mowing. Return along the magnetic strip when returning.

- b) Periodically inspect the area where the appliance is to be used and remove all stones, sticks, wires, bones, and other foreign objects. Periodically inspect and clean the boundaries between grass and non-grass. Clearing boundaries helps the lawnmower to identify the working area.
- c) Periodically visually inspect to see that the blades, blade bolts and cutter assembly are not worn or damaged. Replace worn or damaged blades and bolts in sets to preserve balance.
- d) On multi-spindle appliances, take care as rotating one blade can cause other blades to rotate.
- e) **WARNING!** The lawnmower shall not be operated without the guard in place.

## Operation

### 1. General

- a) Never operate the appliance with defective guards, or without safety devices, for example deflectors, in place.
- b) Do not put hands or feet near or under rotating parts. Keep clear of the discharge opening at all times.
- c) Never pick up or carry an appliance while the motor is running.
- d) Operate the disabling device from the appliance.
  - Before clearing a blockage;
  - Before checking, cleaning or working on the appliance;
  - After striking a foreign object to inspect the machine for damage;
  - If the machine starts to vibrate abnormally, and to check for damage before restarting.
- e) It is not permitted to modify the original design of robotic lawnmower. All modifications are made at your own risk.
- f) Start robotic lawnmower according to the instructions. When the power key is switched on, make sure you keep your hands and feet away from the rotating blades. Never put your hands and feet under the mower.
- g) Never lift up robotic lawnmower or carry it when the power key is switched on.
- h) Do not let persons who do not know how robotic lawnmower works and behaves use the mower.
- i) Do not put anything on top of robotic lawnmower or its charging base.
- j) Do not allow robotic lawnmower to be used with a defective blade disc or body. Neither should it be used with defective blades, screws, nuts or cables.
- k) Always switch off robotic lawnmower when you do not intend to use the mower. Robotic lawnmower can only start when the power key is switched on and the correct PIN code has been entered.
- l) Keep your hands and feet away from the rotating blades. Never place your hands or feet close to or under the body when robotic lawnmower is in operation.
- m) To avoid using the machine and its peripherals in bad weather conditions especially when there is a risk of lightning.
- n) Do not touch moving hazardous parts before these have come to a complete stop.
- o) For machines used in public areas, that warning signs shall be placed around the working area of the machine. They shall show the substance of the following text:  
Warning! Automatic lawnmower! Keep away from the machine! Supervise children!

### 2. Additionally when the appliance is operating automatically

- a) Do not leave the machine to operate unattended if you know that there are pets, children or people in the vicinity.

## Maintenance and storage

**⚠ WARNING! When the mower is turned upside down the power key must always be switched off.**

**The power key should be switched off during all work on the mower's**

**underframe, such as cleaning or replacing the blades.**

- a) Keep all nuts, bolts and screws tight to be sure the appliance is in safe working condition.
- b) Inspect the robotic lawnmower each week and replace worn or damaged parts for safety.
- c) Check especially that the blades and blade disc are not damaged. Replace all blades and screws at the same time if necessary so that the rotating parts are balanced.
- d) Ensure that only replacement cutting means of the right type are used.
- e) Ensure that batteries are charged using the correct charger recommended by the manufacturer. Incorrect use may result in electric shock, overheating or leakage of corrosive liquid from the battery.
- f) In the event of leakage of electrolyte flush with water/neutralizing agent, seek medical help if it comes into contact with the eyes etc.
- g) Servicing of the appliance should be according to manufacturers' instructions.
- h) In order to obtain the best performance, please pay attention to the following ambient temperature range, do not charge, use, or store in the case of exceeding the following temperature range:
  - a) Charging temperature range: 4°C~45°C
  - b) Discharge temperature range: -20°C~55°C
  - c) Storage temperature range: -20°C~75°C
- i) Leaking battery fluid can cause skin and eye irritation or chemical burns.
  - a) Avoid contact with skin and eyes.
  - b) If liquid gets in eyes: Do not rub. Flush open eyes with water for at least 15 minutes, and seek medical advice.
  - c) In case of accidental contact, wash the contact area immediately and thoroughly with mild soap and water.
  - d) Use an inert absorbent such as sand on spilled liquid.

**Recommendation**

To connect the machine and/or its peripherals only to a supply circuit protected by a residual current device (RCD) with a tripping current of not more than 30 mA.

**Residual risks**

To avoid injuries, wear protective gloves when replacing the blades.

**Transport**

The original packaging should be used when transporting robotic lawnmower over long distances. To safely move form or within the working area:

- a) Press the STOP button to stop the mower.  
You select the four digit PIN code when you start the mower for the first time.
- b) Always switch off robotic lawnmower if you intend to carry the mower.
- c) Carry the mower by the handle at the front under the mower. Carry the mower with the blade disc away from the body.

**RF exposure requirements**

To satisfy RF exposure requirements, a separation distance of 200mm or more should be maintained between this device and persons during device operation.

To ensure compliance, operations at closer than this distance is not recommended. The antenna used for this transmitter must not be co-located in conjunction with any other antenna or transmitter.

This is a class III appliances and it must only be supplied at safety extra low voltage corresponding to the marking on the appliance.

WARNING: For the purposes of recharging the battery, only use the detachable supply unit provided with this appliance.

### **Safety Warnings for battery pack**

- a) Do not dismantle, open or shred cells or battery pack.**
- b) Do not short-circuit a battery pack. Do not store battery packs haphazardly in a box or drawer where they may short-circuit each other or be short-circuited by conductive materials.** When battery pack is not in use, keep it away from other metal objects, like paper clips, coins, keys, nails, screws or other small metal objects, that can make a connection from one terminal to another. Shorting the battery terminals together may cause burns or a fire.
- c) Do not expose battery pack to heat or fire. Avoid storage in direct sunlight.**
- d) Do not subject battery pack to mechanical shock.**
- e) In the event of battery leaking, do not allow the liquid to come into contact with the skin or eyes. If contact has been made, wash the affected area with copious amounts of water and seek medical advice.**
- f) Keep battery pack clean and dry.**
- g) Wipe the battery pack terminals with a clean dry cloth if they become dirty.**
- h) Battery pack needs to be charged before use. Always refer to this instruction and use the correct charging procedure.**
- i) Do not maintain battery pack on charge when not in use.**
- j) After extended periods of storage, it may be necessary to charge and discharge the battery pack several times to obtain maximum performance.**
- k) Recharge only with the charger specified by Worx. Do not use any charger other than that specifically provided for use with the equipment.**
- l) Do not use any battery pack which is not designed for use with the equipment.**
- m) Keep battery pack out of the reach of children.**
- n) Retain the original product literature for future reference.**
- o) Remove the battery from the equipment when not in use.**
- p) Dispose of properly.**
- q) Do not mix cells of different manufacture, capacity, size or type within a device.**
- r) Keep the battery away from microwaves and high pressure.**
- s) Warning! Do not use non-rechargeable batteries.**

### **User manual requirements for wireless product**

- a) Operation of this device is subject to the following two conditions:
  - (1) This device may not cause harmful interference, and
  - (2) this device must accept any interference received, including interference that may cause undesired operation.
- b) Caution: Changes or modifications to this unit not expressly approved by the party responsible for compliance could void the user's authority to operate the equipment.
- c) NOTE: This equipment generates, uses and can radiate radio frequency energy and, if not installed and used in accordance with the instructions, may cause harmful interference to radio communications. However, there is no guarantee that interference will not occur in a particular installation. If this equipment does cause harmful interference to radio or television reception, which can be determined by turning the equipment off and on, the user is encouraged to try to correct the interference by one or more of the following measures:
  - Reorient or relocate the receiving antenna.
  - Increase the separation between the equipment and receiver.

- Connect the equipment into an outlet on a circuit different from that to which the receiver is connected.
- Consult the dealer or an experienced radio/TV technician for help.

**For mobile device**

- To satisfy EMC & RF exposure requirements, a separation distance of 20 cm or more should be maintained between the antenna of this device and persons during device operation.
- To ensure compliance, operations at closer than this distance is not recommended.

**Band application caution (for Wi Fi 5G device)**

Legal Information This device may be operated in all member states of the EU. Observe national and local regulations where the device is used.

This device is restricted to indoor use only when operating in 5150 to 5350 MHz frequency range in following countries:

AT	BE	BG	HR	CY	CZ	DK
EE	FI	FR	DE	EL	HU	IE
IT	LV	LT	LU	MT	NL	PL
PT	RO	SK	SI	ES	SE	UK

## INFORMATION ON LANDROID VISION



WARNING – robotic lawn mower can be dangerous if incorrectly used. Read through the Operator's manual carefully and understand the content before using your robotic lawn mower.



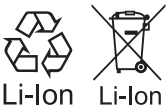
WARNING - Keep a safe distance from the machine when operating.



WARNING – Operate the disabling device before working on or lifting the machine.



WARNING - Do not ride on the machine.



Li-Ion battery. This product has been marked with a symbol relating to 'separate collection' for all battery packs and battery pack. It will then be recycled or dismantled in order to reduce the impact on the environment. Battery packs can be hazardous for the environment and for human health since they contain hazardous substances.



Do not burn



Batteries may enter water cycle if disposed improperly, which can be hazardous for ecosystem. Do not dispose of waste batteries as unsorted municipal waste.



Prohibit disassembling the machine without authorization.



Class III appliance



Read operator's manual



Detachable supply unit



Plus; positive polarity



Minus; negative polarity

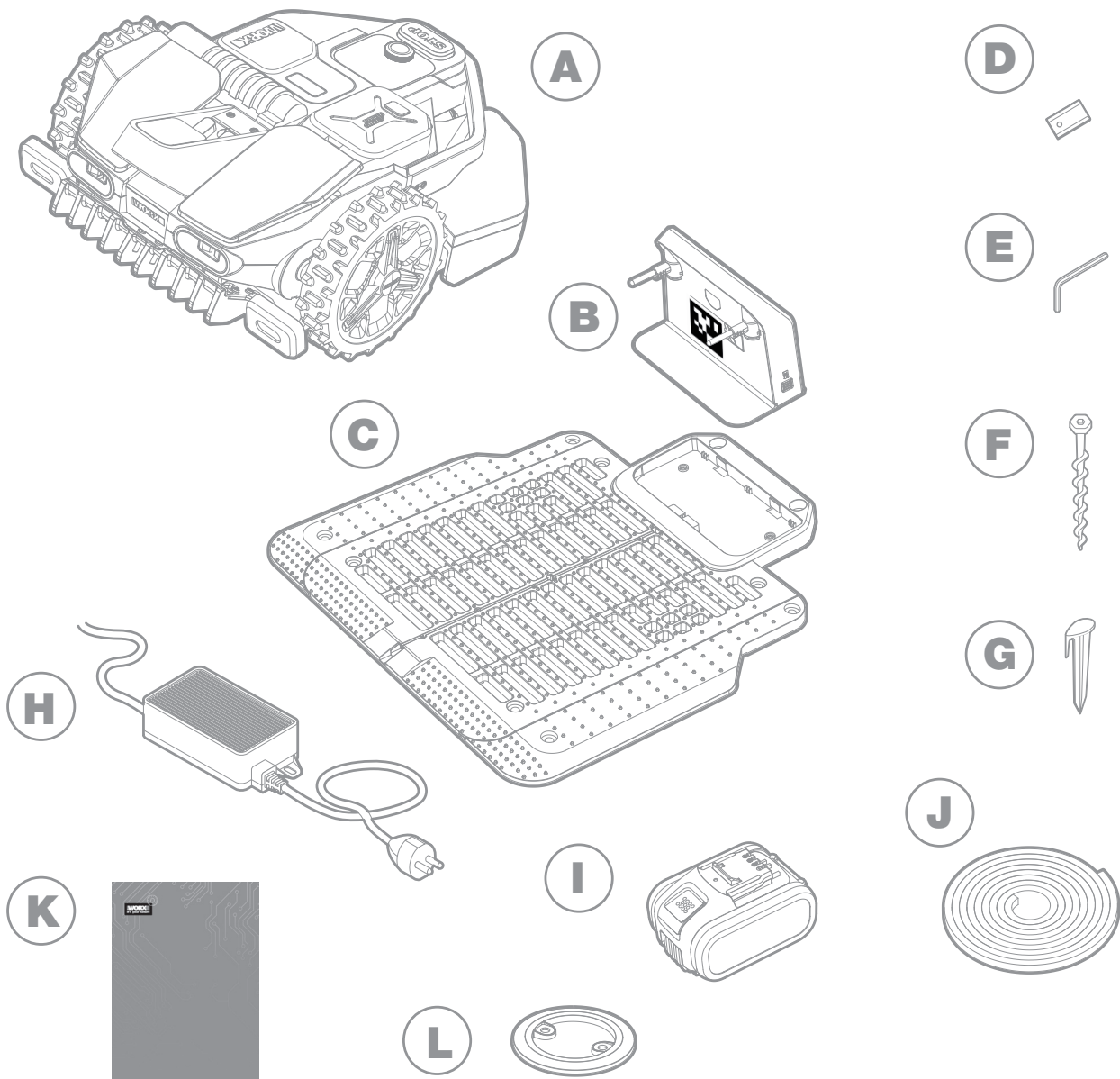


RCM marking

ABN: Australian Business Number. By this number, business information such as entity type, status, business location etc. can be found at website <http://abr.business.gov.au>.  
 ABN of Positec Australia Pty Limited is 14 101 682 357



**COMPONENT LIST  
WHAT'S IN THE BOX**



The picture is only for reference

- A** Worx Landroid Vision

---

- B** Charging tower

---

- C** Charging base plate

---

- D** Spare blades kits

---

- E** Hex key

---

- F** Screws

---

- G** Magnetic strip pegs

---

- H** Power supply

---

- I** 20V battery

---

- J** Magnetic strip in green\*

---

- K** Manuals

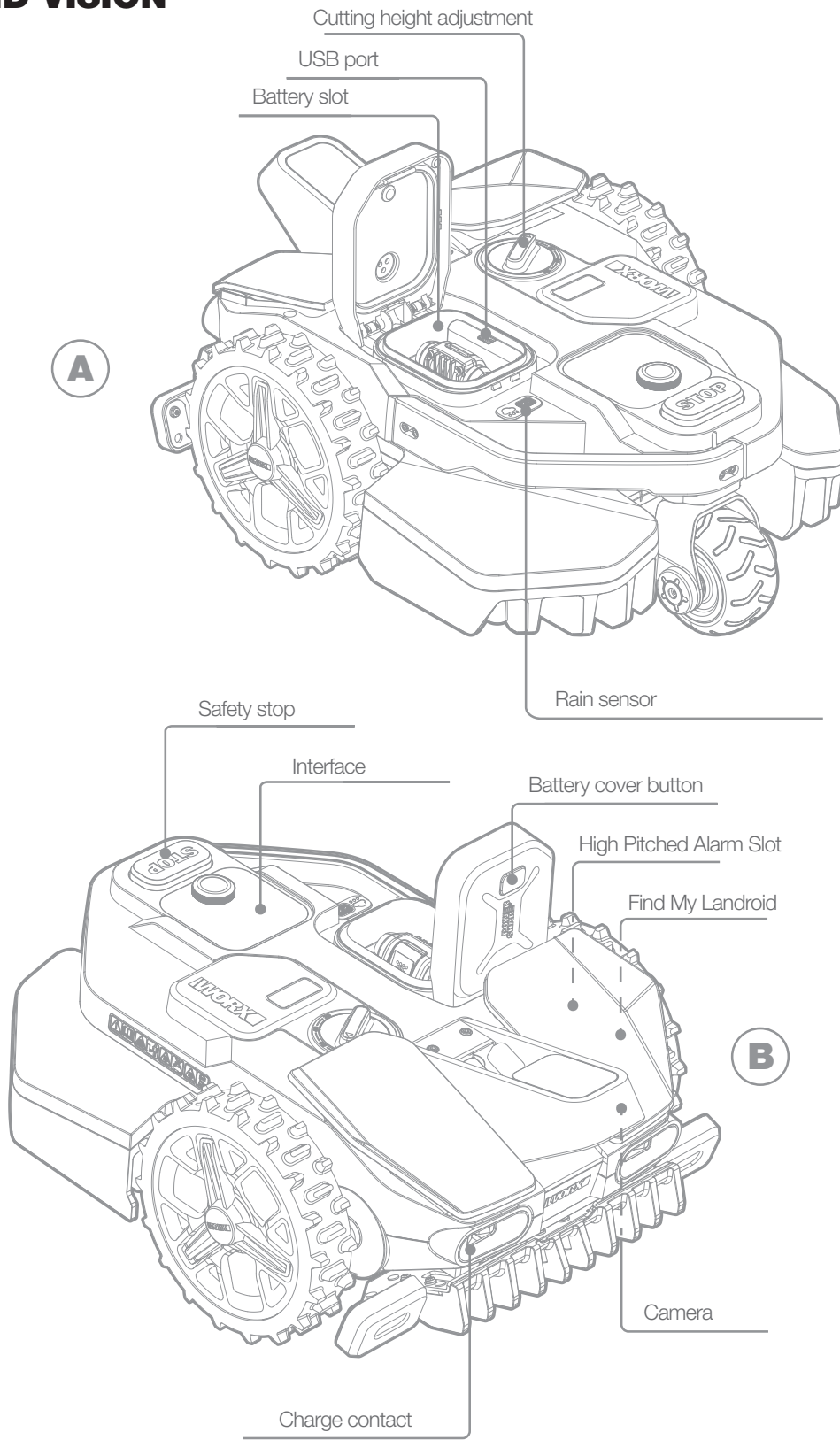
---

- L** RFID

---

\* Only for Landroid Vision



# GETTING TO KNOW LANDROID VISION



The picture is only for reference


## TECHNICAL DATA

Type **WR206E WR213E (200-299 - designation of machinery, representative of Robotic lawn mower with Vision technology)**

SPECIFICATION	WR206E	WR213E
No load speed (/min)	2800 /min	2200 /min
Cutting area (m <sup>2</sup> )	600 m <sup>2</sup>	1300 m <sup>2</sup>
Cutting diameter (cm)	18 cm	22 cm
Cutting height (mm)	30-60 mm	
Cutting system	3 pivoting razor blades	
Cutting height positions	4	7
Slope (%)	30%	
Battery type	Lithium-ion	
Battery Capacity (Ah)	2 Ah	4 Ah
Battery model	WA3551.1	WA3014
Charging time approx. (mins.)	80 mins.	75 mins.
Charger model	WA3750.1	WA3775
Charger rating	Input: 100-240 V~50/60 Hz, 38 W, Output: 20V  , 1.5 A	Input: 100-240 V~50/60 Hz, 90 W, Output: 20V  , 3.0 A
Machinery weight (kg)	14.4 kg	15.1 kg
Protection degree	III	
App (Wifi/Bluetooth)	Y	
Frequency bands for Bluetooth (MHz)	2400-2483.5 MHz	
Maximum Transmitted Power for Bluetooth (dBm)	8 dBm	
Frequency bands for WIFI (MHz)	2400-2483.5 MHz	
Maximum Transmitted Power for WIFI (dBm)	20 dBm	
Frequency bands for WIFI (MHz)	5150-5725 MHz	
Maximum Transmitted Power for WIFI (dBm)	20 dBm	
Waterproof level	IPX 5	

\*Voltage measured at no load. Initial battery voltage reaches maximum of 20 volts. Nominal voltage is 18 volts.

## NOISE DATA

	WR206E	WR213E
A weighted sound pressure	$L_{pA} = 46.45 \text{ dB(A)}$	$L_{pA} = 46.73 \text{ dB(A)}$
	$K_{pA} = 1.58 \text{ dB(A)}$	$K_{pA} = 1.68 \text{ dB(A)}$
A weighted sound power	$L_{wA} = 57.45 \text{ dB(A)}$	$L_{wA} = 57.73 \text{ dB(A)}$
	$K_{wA} = 1.58 \text{ dB(A)}$	$K_{wA} = 1.68 \text{ dB(A)}$
<b>Wear ear protection when sound pressure is over 80 dB (A).</b> 		

A degree of noise from the machine is not avoidable. Route noisy work is to be licensed and limits for certain periods. Keep rest periods and they may need to restrict the working hours to a minimum. For their personal protection and protection of people working nearby, an appropriate hearing protection shall be worn.

## ACCESSORIES

	WR206E	WR213E
Screw	14	14
Charging tower	1	1
Charging base plate	1	1
Magnetic strip pegs	16	16
Hex key	1	1
Blade (WA0190)	9	9
RFID	2	2
Magnetic strip (5m)	2	2
Battery pack (WA3551.1)	1	/
Battery pack (WA3014)	/	1
Charger (WA3750.1)	1	/
Charger (WA3775)	/	1

We recommend that you purchase genuine accessories listed in the above list from the same store that sold you the tool. Refer to the accessory packaging for further details. Store personnel can assist you and offer advice.

## INTENDED USE

The garden product is intended for domestic lawn mowing. It is designed to mow often, maintaining a healthier and better looking lawn than ever before. Depending on the size of your lawn, your Landroid Vision may be programmed to operate at any time or frequency. It is impossible for digging, sweeping or snow cleaning.

# MAINTENANCE

Your Landroid Vision, works hard and needs to be cleaned and checked from time to time. This section of our guide helps you keep Landroid Vision in good shape so it can last for years without trouble. Here's how to take care of your Landroid Vision. Switch off the machine before carrying out any service or maintenance.

## 1. Keep it sharp

Landroid Vision does not cut grass like other mowers. Its cutting blades are razor sharp on 2 edges and rotate in both directions for maximum cutting capacity.

A. The blade turning disc makes a clockwise and counterclockwise rotation at random to use both cutting edges and minimize the frequency of replacing the blades.

B. Each cutting blade will last up to 2 months when it is programmed to mow every day.

C. Always check to see if the blades are chipped or damaged and replace them if they are.

D. When the cutting blades are dull and worn out, they should be replaced with the spare blades provided with your Landroid Vision. Spare blades are also available at your nearest Landroid Vision retailer.

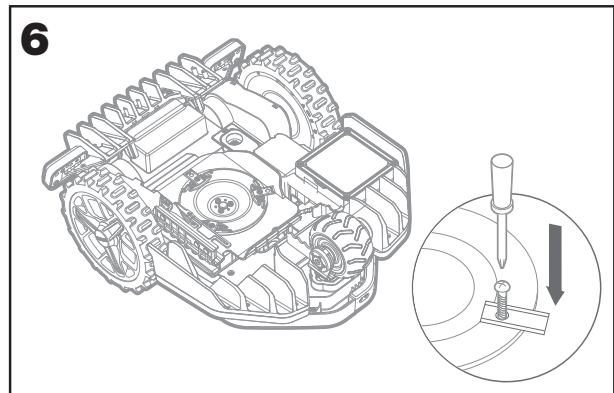
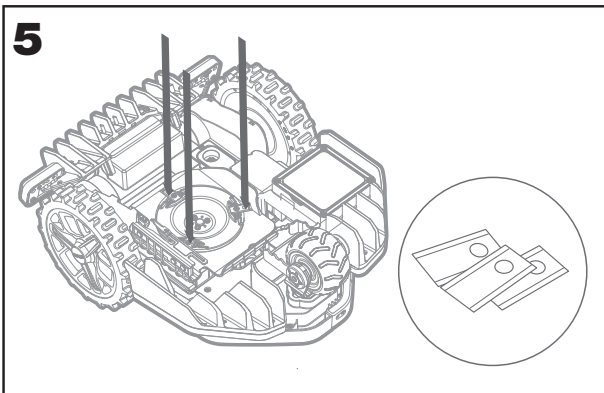
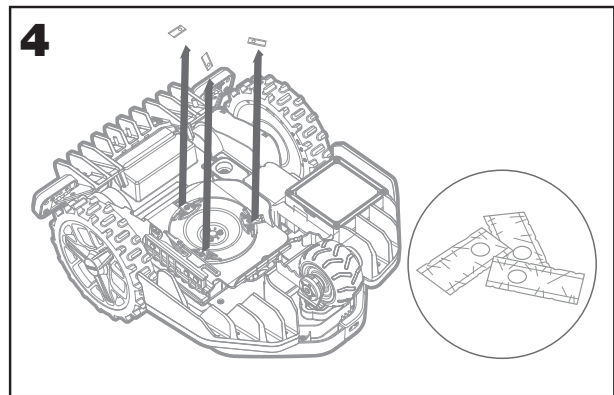
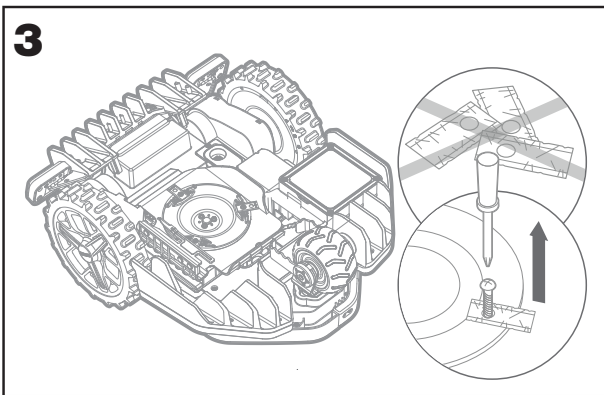
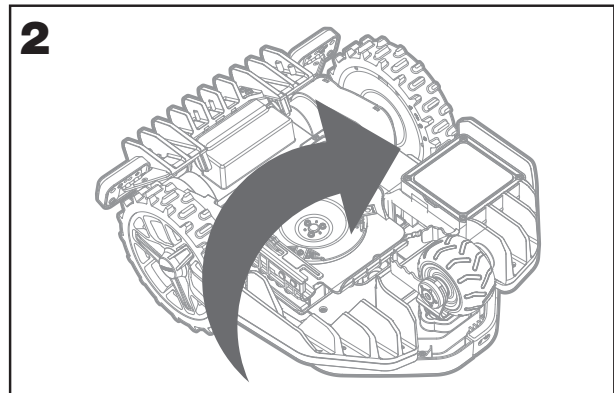
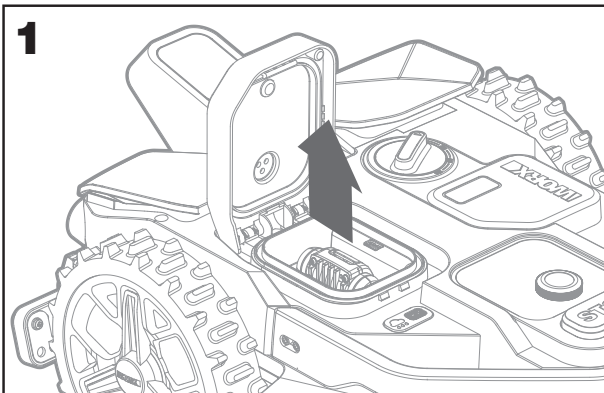
**⚠ WARNING! Before cleaning, adjusting, or replacing the blades, turn your Landroid Vision OFF and remove the battery. Always wear protective gloves.**

### 1.1 Replacing the Blades

Remove the battery (See Fig. 1) and gently flip the Landroid Vision over (See Fig. 2).

Take the screws off the blades with a screwdriver (See Fig. 3 - Fig. 4).

Firmly screw on the new blades (See Fig. 5 - Fig. 6).

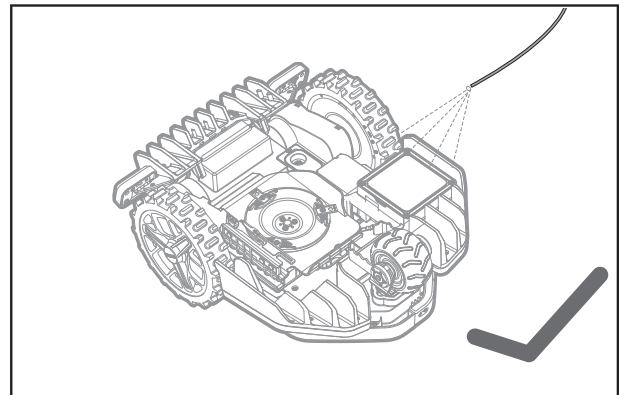
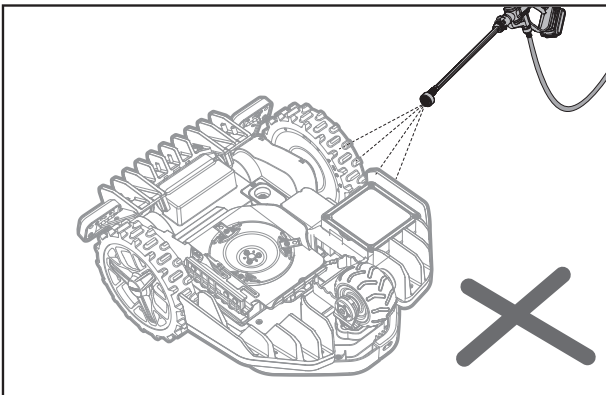


**⚠Attention:** When fitting new blades, make sure you replace ALL the blades. Always use new screws when fitting blades. This is important to ensure blade retention and balance the blade turning disc. Failure to use new screws could cause serious injury. Important: After screwing the blade to the blade disc, make sure the blade is able to spin freely.

**2. Keep it clean**

Your Landroid Vision should be cleaned regularly. This helps keep it in good conditions, especially removing dirt, debris and the build-up of grass clippings from daily mowing. Turn Landroid Vision off before cleaning it. For extra safety, remove the battery.

**⚠Attention: Make sure the battery pack cover is closed when washing your Landroid Vision.**  
**⚠WARNING! YOUR Landroid Vision can only be washed by using a hose! DO NOT use high pressure washer on your Landroid Vision. High pressure water can go inside the sealings and damage electronic and mechanical parts.**



**2.1 Cleaning the upper body**

- A. Clean with a spray bottle filled with water. Don't use solvents or polishers.
- B. Use a brush or a clean cloth to remove built-up dirt.

**2.2 Cleaning the Bottom**

- A. Flip Landroid Vision upside down.
- B. Remove debris and grass clippings using a brush to remove.
- C. Be careful not to touch the blades with your hands. Wear gloves for protection.
- D. Clean the blade disc, the chassis and the front wheel(s) thoroughly with a soft brush or moist rag.
- E. Rotate the blade disc to ensure it rotates freely. Remove any obstructions. Remove any lodged debris so that they don't cause a crack in the blade disk. Even the tiniest crack effects mowing performance.
- F. Check the blades spin freely around the fixing screws. Remove any obstructions.

**2.3 Cleaning the drive wheels**

- A. Remove mud from wheels with a brush in order to ensure good grip of the tread.

**2.4 Cleaning the camera**

- A. We recommend that users regularly wipe the camera with a rag.

**2.5 Clearing the charging contacts**

- A. Clean the contact pins located on the charging pile and the charging contacts located on the Landroid Vision using a cloth.
- B. Periodically remove any build-up of grass clippings or debris around the contact pins and the charging strips to ensure Landroid Vision successfully charges each time.

**3. Keep it charged**

- The heart of Landroid Vision is its 20V Li-Ion Worx Powershare Battery.
- A. For the proper storage of the battery, make sure it is fully charged and kept in a cool dry place.
  - B. The recommended Landroid Vision operation temperature is between 0-55°C.
  - C. The life-span of Landroid Vision's battery depends on hours of usage and the length of use per day during the mowing season.

**3.1 Landroid Vision can be charged manually**

- A. Connect the charging base to a suitable power supply. The green light on the charging base will turn on.
- B. Manually dock Landroid Vision into the charging base while Landroid Vision is powered off.
- C. The green light on the charging base will flash and Landroid Vision will begin to charge.



### 3.2 The battery can be replaced manually

- A. Press the button on the battery cover and open the cover.
- B. Take out the old battery and install the new battery pack.
- C. Close the battery cover.

**NOTE:** Install the battery pack according to the polarity direction of the battery marked on the physical object.

### 4. Keep it stored over the winter

Although Landroid Vision is designed and built to survive the most severe weather conditions, we recommend storing it in your shed or garage during the winter. To prepare it for winter hibernation:

- A. Clean it thoroughly.
- B. Fully charge the battery.
- C. Turn the power off.

### 4.1 Getting back to work in the Spring

When it is time to re-start Landroid Vision for the new season, please perform the following checks:

- A. Update the time and date settings via the App.
- B. If you notice signs of oxidation on the charging contacts of Landroid Vision and the charging base, clean these with a fine grade emery cloth.
- C. Full charge Landroid Vision's battery before operating.

### 5. Keep it updated

Landroid Vision is always improving and new software versions are made available for free. Always keep Landroid Vision software updated to make the most of your machine.

#### 5.1 Check which software version you have

The software version number can be seen when the Landroid Vision is powerd-on.

#### 5.2 Over-the-Air (OTA) updates

If your Landroid Vision is connected to your Wi-Fi network, you will be notified that new software is available via the App. Once you confirm, the update will happen automatically Over-the-Air.

#### 5.3 Manual updates

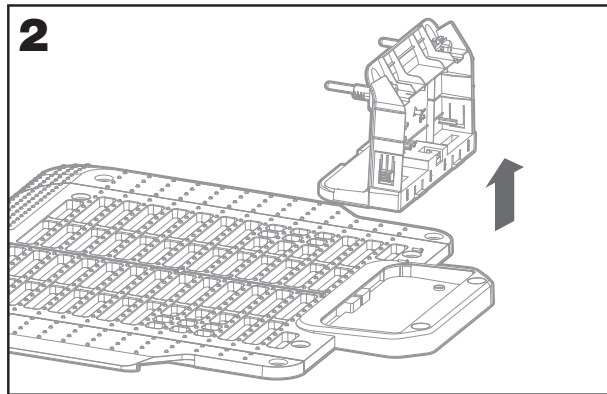
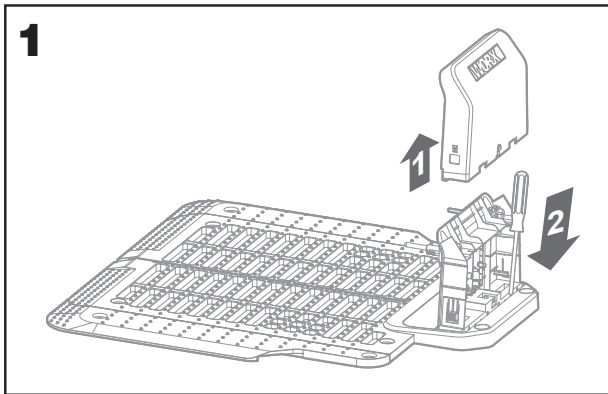
- A. If your Landroid Vision is not connected to your Wi-Fi network, you can still update it to the latest software version with a USB stick.
- B. Regularly visit the Worx Landroid Vision website to check if any new version is available. If you subscribed to Landroid Vision email list, you will be notified when a new version is available.
- C. Download the latest software version at our website.
- D. Take a blank USB stick formatted in **FAT32**.
- E. Save the file and extract the content to your USB stick.
- F. Make sure your Landroid Vision is getting charged.
- G. Turn off Landroid Vision.
- H. Open the battery cover of the Landroid Vision to access the USB port.
- I. Insert the USB stick in the port.
- J. Turn on Landroid Vision.
- K. Without lifting Landroid Vision, remove the USB stick when "Please remove the USB key" is displayed.
- L. The update will begin automatically and may take a while. Landroid Vision will restart automatically after the update is completed.

**NOTE:** Make sure Landroid Vision is charging or the battery capacity has reached 50% prior to starting the firmware update.

### 6. Remove the charging tower

- A. Simultaneously press the two clips on the charging tower cover to remove the charging tower cover. **(See Fig. 1)**
- B. Use a screwdriver against the charging tower pin, then remove the charging tower. **(See Fig. 1 - Fig. 2)**

**NOTE:** When Landroid Vision is not in use for a long time, removing and properly storing the charging tower can prolong the service life of the charging base.




## OPERATION MESSAGES

MESSAGE	LANDROID VISION ACTION
Cutting grass	Cutting grass according to the mowing schedule.
Raining	The rain sensor detects water. Landroid Vision will return to the charging base and stay there for the time you have programmed it to do so. When dry, Landroid Vision will automatically begin the rain delay countdown and then return to mow. If you want Landroid Vision to mow before this, simply turn it off then on again, but only when the rain sensor is dry, or you can remove the rain delay completely by setting the rain delay time to zero.
Going home	Needs to recharge—during the journey to the base, the cutting blade is stopped in order to save energy.
Charging	'Charging' and charge percentage are displayed.
No working time scheduled	Stand-by, needs to be programmed as desired.
Not working today	Stand-by, will start according to mowing schedule.
Work done today	
Charge complete	Landroid Vision has completed its charging.
Emergency charge	Landroid Vision is charging in a powered-off state.

## ERROR MESSAGES

Sometimes things can go wrong. Fortunately Landroid Vision is smart enough to tell you if it is encountering an issue, so you can fix it. If in doubt, please visit our website where you will find useful videos and further support.





MESSAGE	CAUSE	ACTION
	Battery pack cover is open.	Close the battery pack cover.
Outside working area! Press START to reset.	Landroid Vision cannot find the lawn border.	<ol style="list-style-type: none"> <li>1. If Landroid Vision is actually outside of its working area: turn power off, take Landroid Vision inside the working area, turn the power on and press start.</li> <li>2. If Landroid Vision is inside its working area check if the LED on the charging pile is solid green.</li> </ol>



MESSAGE	CAUSE	ACTION
WRONG PIN! Please retry.	PIN code is wrong.	Input the correct PIN or re-set your PIN.
Blade motor fault! Press START to reset.	Blade disc is blocked by an object, e.g. a branch.	Turn power off. Turn Landroid Vision upside down and check if there's anything preventing the blade disc from rotating and remove any obstruction. Turn Landroid Vision upright. Turn power on. Press start.
	Blade is over-loaded by thick dense grass.	Turn power off. Take Landroid Vision to an area with short grass or adjust the cutting height to a higher setting. Turn power on. Press start.
Wheels motor fault! Press START to reset.	Wheel motor is blocked in some way.	Turn power off and take Landroid Vision to an area free from obstacles. Turn power on. Press start. If the error message is still displayed, turn power off. Turn Landroid Vision upside-down and check if there's anything preventing the wheels from rotating. Remove any obstruction, turn Landroid Vision upright, turn power on.
Upside down! Press START to reset.	This could have happened when Landroid Vision came into contact with a sloping surface which made it overturn.	Turn Landroid Vision upright and remove any obstacle that might have caused Landroid Vision to overturn.
Mower trapped! Press START to reset.	Landroid Vision is trapped.	Turn power off. Take Landroid Vision to an area of your lawn free of obstacles, then turn power on. Press start. If the error message is still displayed: turn power off, turn Landroid Vision upside-down. Check if there is anything preventing the wheels from rotating. Remove any obstruction, turn the Landroid Vision upright, turn power on.
Mower lifted! Press START to reset.	Landroid Vision has been lifted up.	Turn power off. Take Landroid Vision to an area clear of obstacles, turn power on. Press start. If the error message is still displayed: turn power off, turn Landroid Vision upside-down and check there's anything that can cause Landroid Vision to be lifted up. Remove any possible object, turn Landroid Vision upright, turn power on.
Battery voltage too low! Please change battery.	Battery exhausted, and needs to be recharged.	In this case you must turn Landroid Vision off and place it in the charging base, then 'Emergency charging' will be displayed and it will start charging. If the battery error still persist, your battery is damaged and need to be changed.
Battery temperature out of range! Please wait.	Temperature is too high (more than 45°C) or too low (less than 4°C) when charging.	Place the charging base in a shady area or wait until it reaches the normal temperature.
Can't find charge station press START to reset.	Machine doesn't have enough power to go back to charging base.	Take Landroid Vision to the charging base.

MESSAGE	CAUSE	ACTION
Mower locked!	With the “Lock Function” enabled, if your Landroid Vision does not receive a signal from your Wi-Fi router for 3 days, then it gets locked as a security measure. This could be because your router lost its power or because you changed your Wi-Fi router or network provider.	Please reconnect Landroid Vision to the Wi-Fi network it has been originally paired with. If this is not possible, contact Customer Service.
RFID reader error!	RFID is not installed correctly.	Check if RFID is correctly installed.
Camera blocked!	Camera covered by dirty things.	Clean the camera.

**NOTES**

- A. Before turning power on, always check Landroid Vision is inside its working area. If not, the message “Outside working area! Press START to reset” will be displayed. This message is also displayed when Landroid Vision is partly but not completely inside its working area.
- B. If for any reason—i.e. a party, children playing...—you want to park your Landroid Vision in the charging base: press  then . Landroid Vision will go to its base and stay there. Please note Landroid Vision will now wait until the next scheduled mowing session. If you want to re-start it at anytime, press  then  to start your Landroid Vision.
- C. If an error repeatedly occurs in the same area of your lawn, you might have a problem with the working area so please refer to the installation instructions and check your set up is correct with its help.
- D. If your lawn is divided in two separated areas, connected by a corridor less than 1m wide, one of which is not provided with the charging base: when Landroid Vision runs out of charge, take it manually to the charging base.
- E. If Landroid Vision runs abnormally once in a while, please reset it by turning it off and removing the battery for 30 seconds, then restart it. If the problem cannot be solved, please contact our Customer Service for help.


**TROUBLESHOOTING**

If your Landroid Vision does not work correctly, follow the trouble shooting guide below. If the fault persists, contact Customer Service.

SYMPTOM	CAUSE	SOLUTION
The LED light on the charging pile does not turn on.	There is no power.	Check the charging base is connected properly to the charger and the charger is connected to a suitable power supply.
Landroid Vision turns on, but the blade disc does not spin.	Landroid Vision is searching for the charging base.	This is normal: when Landroid Vision needs to recharge, the blade disc does not rotate while it is searching for the charging base automatically.
Landroid Vision vibrates.	The blade disc is unbalanced. Blades may be damaged.	Check the blades and replace them if damaged. Remove debris and foreign objects from the blades and blade disc.

<b>SYMPTOM</b>	<b>CAUSE</b>	<b>SOLUTION</b>
Grass is being cut unevenly.	Landroid Vision does not work enough hours per day to cut the grass.	Try adding more hours to the mowing schedule.
	Mowing area is too big for the size of Landroid Vision you have.	Try decreasing the size of the mowing area or increasing working time.
	The blades are dull and not sharp.	Change all the blades and screws in order to balance the blade disc.
	The cutting height is set too low for the length of the grass.	Raise the cutting height and then gradually lower.
	Grass or another object has wrapped around the blade disc.	Check the blade disc and remove any grass or other objects that might prevent it spinning.
	There is a build-up of grass in the blade disc or motor frame box.	Make sure the blade disc rotates easily. If need be, you may take off the blade disc and then remove the debris.
	Recognition error	Remove the obstacles, such as piles of leaves, weeds and wildflowers.
The secondary area is not mowed.	Programming error	Make sure the RFIDs are installed correctly and reprogrammed.
	There are obstacles between the RFIDs in the pathway.	Remove the obstacles.
	The boundary of the passage within 1.5 m range of the boundary wire for the RFID is curved.	Ensure that there is no boundary curved within 1.5 m range of the boundary wire for the RFID.
The charging time is far more than the rated charging time.	Poor connection caused by debris on the charging strip.	Clean the contact pins located on the charging pile and the charging strip on Landroid Vision using a cloth.
	The charging protection program is activated due to high temperature.	Place the charging base in a shady area or wait until the temperature has cooled down.
The mower does not charge.	There is no power.	Check the power cord is connected properly to the charger and the charger is connected to a suitable power supply. Make sure both the charging strips on the mower touch the center of the charging contacts on the charging pile.
Landroid Vision is starting to have shorter run-times between charges.	Something is clogging in the blade disc creating friction and increasing power consumption.	Take off the blade disc and clean it. Maybe the grass is too high and too thick.
	Landroid Vision is shaking heavily because the blade disc is unbalanced.	Check the blade disc and blades, remove debris and foreign objects from the blades and blade disc. Replace the blades with a new set.
	The battery may be exhausted or old.	Replace battery.
	The working time is up.	Reset the working time.
Landroid Vision is not operating at the correct time.	The clock is not set to the correct time.	Set the clock to the correct time.
	Programmed cutting times for Landroid Vision are not correct.	Change the time settings for the mower to start and stop.
	The percentage of weekly operating time set through App has changed.	Set the correct percentage through App.

<b>SYMPTOM</b>	<b>CAUSE</b>	<b>SOLUTION</b>
Landroid Vision can not find the charging base.	The direction of the charging base is incorrect.	Make sure Landroid Vision dock right towards the charging base and departures in anti-clockwise direction.
	There are obstacles in front of the charging base.	Please remove the obstacles within the 2 m in front of the charging base.
	The QR code is sheltered.	Make sure the QR code is clear and that there is nothing directly on it or above it.
Landroid Vision cannot correctly dock with the charging pile.	Environmental influences.	Restart Landroid Vision.
	Poor connection caused by debris on the charging strip.	Clean the contact pins located on the charging pile and the charging strip on Landroid Vision using a cloth.
The green light on the charging pile turns on before charging is complete.	The charging base is overheating or overcooling.	Place the charging base in a shady area or wait until it reaches the normal temperature.
Landroid Vision wheels skid or repeatedly slip.	Obstacles, such as twigs and branches may be lodged under Landroid Vision.	Remove objects from underside of Landroid Vision.
	The lawn is too wet.	Exclude the wet or soft ground areas by using the magnetic strip or by creating a non-grass pathway that is more than 5 cm wide until the lawn is dry again.
Landroid Vision slips out of its working area.	Low grip of Landroid Vision drive wheels.	Please check the wheels are clean and free of mud in order to have the maximum grip possible.
	The slope is steeper than 30% (17°).	Exclude the sloped area by using the magnetic strip or by creating a non-grass pathway that is more than 5 cm wide directly beside the slope.
	Recognition error.	Remove the obstacle if there is one. Using the magnetic strip or by creating a non-grass pathway that is more than 5 cm wide on the lawn edge ensure that the mower functions correctly.
	There is grass whose height is higher than 15 cm.	Trim the grass to below 15 cm. Lay magnetic strips or set up a 5 cm non-grass pathway if there are steps, cliffs or a pond below the grass.
Landroid Vision frequently collides.	The grass is taller than 15 cm.	Trim the grass to below 15 cm.
	There is grass around suspended objects such as a hanging fence or a slide.	Lay magnetic strips or set up a 5 cm non-grass pathway around the area.
Landroid Vision operative system crashes when charging or on standby.	Software or display fault.	Restart Landroid Vision.
Landroid Vision shuts off when docking in the charging pile.	Landroid Vision fails to charge due to over temperature protection and is powered off.	Place the charging base in a shady area or wait until the temperature has cooled down.
	Poor connection.	Check the LED light on the charging pile. Check the connection between the contact pins located on the charging pile and the charging strip.
Landroid Vision stops in the working area.	There are continuous obstacles in the working area.	Lay magnetic strip or by creating a non-grass pathway that is more than 5 cm wide around the obstacles.
	The cutting height is set too low for the length of the grass or the grass is too dense.	Raise the cutting height and then gradually lower.

SYMPTOM	CAUSE	SOLUTION
Landroid Vision flips over.	There is an inclined obstacle on the lawn.	Exclude the obstacle from Landroid Vision's working area.
Landroid Vision fails to connect to the internet.	Please check your router has the correct settings.	<p>Make sure your router is 2.4GHz or 5GHz. If your router has two settings, please enable the 2.4GHz or 5GHz band.</p> <p>Make sure your router is set to 802.11 mode and wireless setting is b/g/n mixed.</p> <p>Make sure your router has the SSID Broadcast function enabled when you connect the machine with the App.</p> <p>You can close it after you connect successfully.</p> <p>Make sure DHCP function is enabled.</p> <p>If you changed your Wi-Fi network, you need to connect Landroid Vision to the new network.</p> <p>If you have a "Fritz! box" router, please make sure activate "Allow communication between devices in same network" in the settings.</p>
	Please check whether the router is disconnected or WIFI SSID is changed.	Make sure the router is connected and WIFI SSID is correct.
The software upgrade fails.	The Wi-Fi signal is weak.	Move closer to the router to strengthen the signal.
	The battery level is less than 50%.	Place Landroid Vision on the charging station or ensure that the battery level is above 50%.
Your Landroid Vision beeps when you are adjusting "month / hour / minute"	It is normal.	Anticlockwise the  to adjust.

## Environmental protection



Waste electrical products should not be disposed of with household waste. Please recycle where facilities exist. Check with your Local Authority or retailer for recycling advice.

Remove the used battery pack from the appliance and dispose of it at the most convenient recycling facility. If in doubt, consult your local environmental protection department.

### For battery tools:

Details regarding safe disposal of used batteries

At the end of the life of the appliance, remove the battery pack safely before disposing of the appliance. Do not throw batteries away or throw them in the normal trash can. Also do not dispose of the battery with the machine. Remove the used battery pack from the appliance and dispose of it at the nearest or convenient dedicated recycling facility. If in doubt, consult your local environmental protection department. Batteries may enter water cycle if disposed improperly, which can be hazardous for ecosystem. Do not dispose of waste batteries as unsorted municipal waste.

Positec Australia Pty Limited  
 10 Corporate Blvd Bayswater , VIC 3153, Australia





