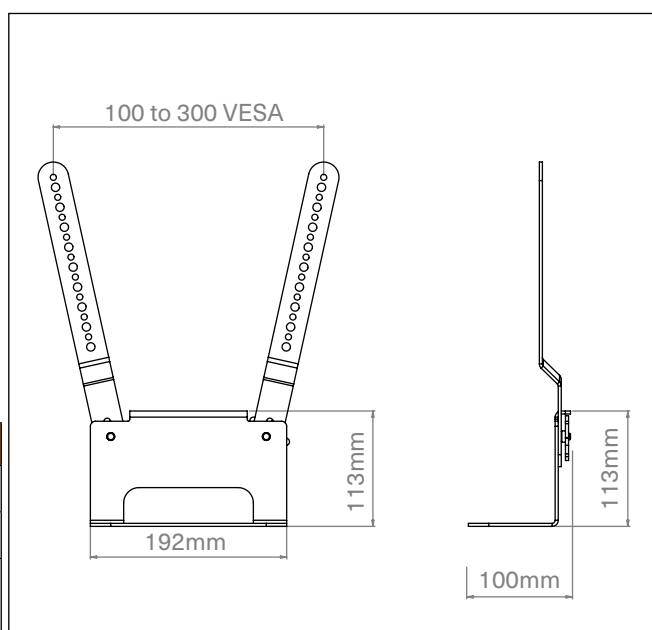


TV Mount Attachment for Sonos Beam

- Precision engineered in high grade steel.
- Enables you to attach a Sonos Beam securely to any existing TV wall mount.
- Perfect partner for 32-to-65-inch TV's.
- Quick, easy installation with horizontal and vertical adjustment.
- Available in black only.
- Installation hardware kit included.

MILLIMETRES/KILOGRAMS	HEIGHT	WIDTH	DEPTH	WEIGHT	
Product Size	113	192	100	1.100	
MILLIMETRES/KILOGRAMS	QTY	LENGTH	WIDTH	HEIGHT	WEIGHT
Carton	1	333	125	130	1.350
Country of Origin	UK				
Carton Contents:	TV Mount Attachment, Installation hardware kit, Instructions				



CODE	NAME	EAN CODE
MS48B	TV Mount Attachment for Sonos Beam	5060888130652