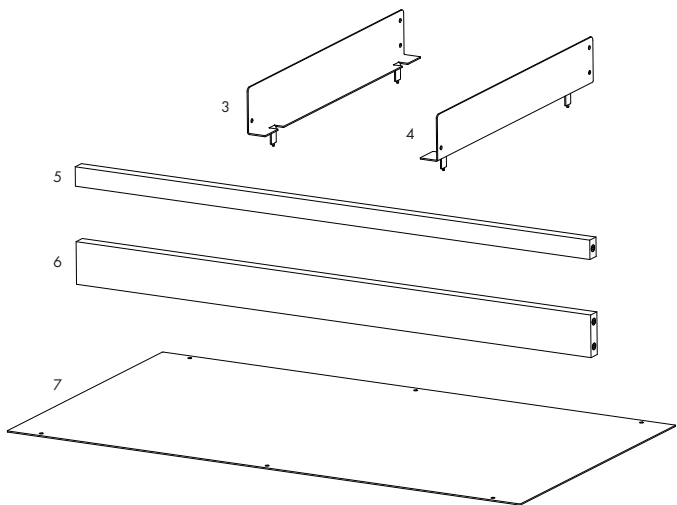


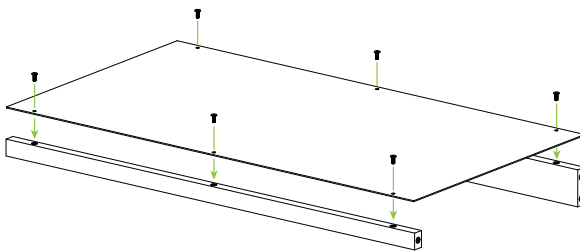
## List of parts



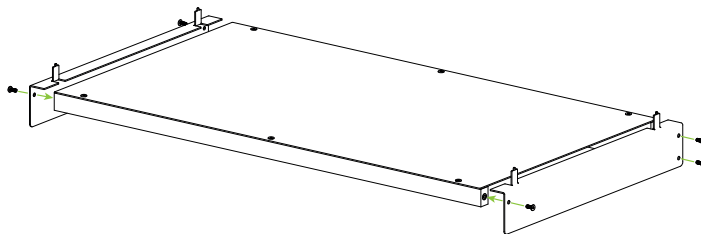
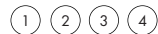
1. M4 screw 12x
2. TX10 wrench 1x
3. Shelf left sheet metal panel 1x
4. Shelf right sheet metal panel 1x
5. Shelf front wooden panel 1x
6. Shelf rear wooden panel 1x
7. Shelf bottom sheet metal panel 1x

## Assembly instructions

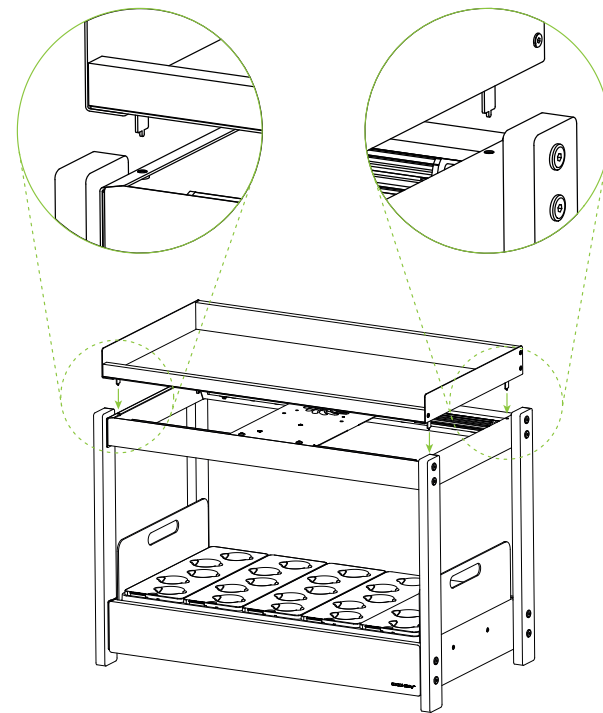
**Step 1.** Connect bottom metal panel to the front and rear wooden panels. Fasten panels with M4 screws (6x) and TX10 wrench.



**Step 2.** Connect left and right metal sheet panels to the shelf. Fasten panels with M4 screws (6x) and TX10 wrench.



**Step 3.** Place the shelf on top of the Click and Grow 25 farm, make sure the shelves legs go into their corresponding sockets. Maximum load the shelf can hold is 5 kg / 11 lb.



Щоб завантажити це керівництво для користувача іншою мовою, завітайте на сайт:

Om deze gebruikershandleiding in een ander taal te downloaden, ga naar:

Aby pobrać tę instrukcję w innym języku, wejdź na:

Скачать эту инструкцию на другом языке можно по ссылке:

Per scaricare il presente manuale in una lingua diversa, andare su:

Um dieses Benutzerhandbuch in einer anderen Sprache herunterzuladen, besuchen Sie:

För att ladda ned denna användarmanual i annat språk gå till:

Para descargar este manual del usuario en otro idioma, visite:

Pour télécharger ce manuel dans une autre langue, allez sur:

下載此用戶手冊的其他語言版本，請訪問：

لتنزيل دليل المستخدم هذا بلغة مختلفة، يرجى زيارة الرابط التالي :

[clickandgrow.com/pages/manuals](https://clickandgrow.com/pages/manuals)

CLICK & GROW™

Out of Plant Pods? Head to [clickandgrow.com](https://clickandgrow.com) to get some fresh ones.

@clickandgrow



Go to [support.clickandgrow.com](https://support.clickandgrow.com) for help

Boost your plant-skills with the Click & Grow app!



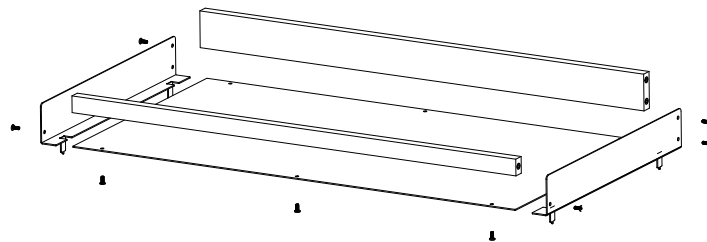
## Your shelf comes with a full warranty

In the rare case it has any defects, let us know! We'll exchange it for a new one within the first 12 months from purchase.

Contact [support@clickandgrow.com](mailto:support@clickandgrow.com) or visit our support page at [support.clickandgrow.com](https://support.clickandgrow.com)



Maximum load the shelf can hold is 5 kg / 11 lb



# Click & Grow 25 Top Shelf Manual

