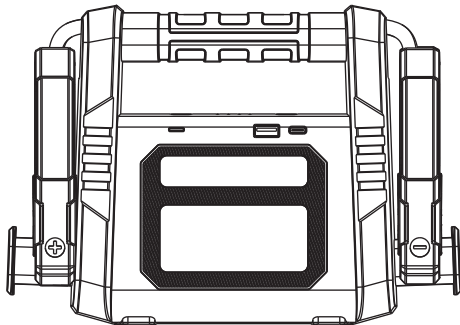


# VTOMAN

## User Manual

### Jump Starter



**Model: V4000**

Thank you for choosing vtoman jump starter. To ensure a good user experience, personal safety, and property security, please read all of the instructions carefully before using this product, please keep this manual for reference.

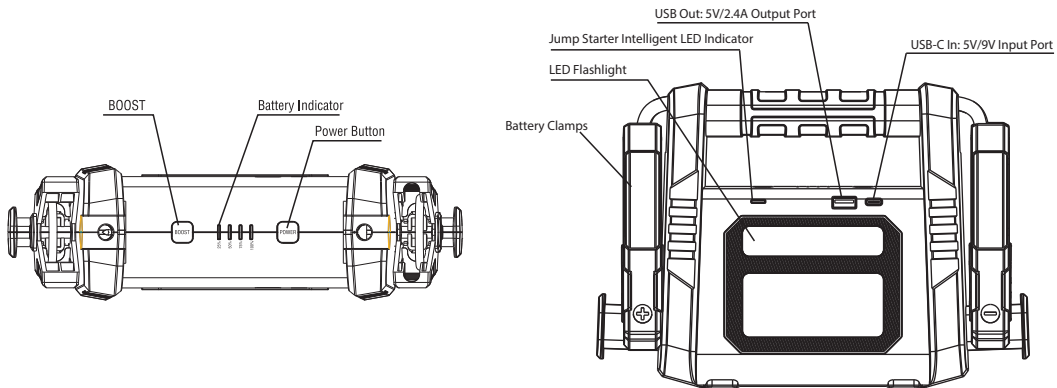
## **Charge It First !**

While reading through the manual, you can start to charge your V4000 with the wall charger and type-c cable provided.

## **Warning**

This unit is for vehicle (equipment) with 12V batteries. It may be dangerous if it is used with other types of batteries. Read and understand the safety information before using the jump starter. Failure to follow the safety information may cause damage to the jump starter, and may also result in electric shock, explosions, fire, property damage, and personal injury.

## Product Parts and Functions Description



## Operation Instructions

### Battery Indicator:

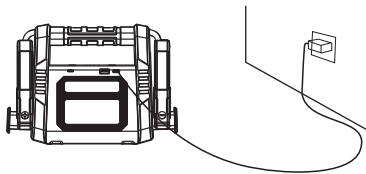
Press the power button to check the battery power:

Indicator	Unlit	1 Solid	2 Solid	3 Solid	4 Solid
Battery Power	0%	25%	50%	75%	100%

The indicator will blink one by one during the period of charging. Different numbers of solid indicators show different battery power. All indicators will be turned off automatically when the charging process was finished.

### How to Charge the V4000

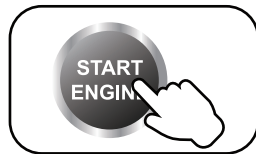
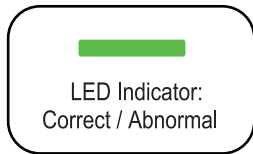
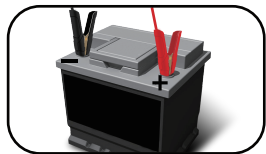
This unit can be charged with the Type-c cable and the wall charger we provided. (Only via the QC3.0 wall charger or QC3.0 car charger can achieve the 18W max input function, QC3.0 car charger need to be purchased separately. )



## How to Start a 12V Vehicle (Make sure the battery power $\geq 2$ bars)

**Note: Do not press the "BOOST" button before connecting the vehicle battery correctly.**

1. Connect Vehicle Battery
2. Green LED illuminates(solid)
3. Start Vehicle Engine



**Check the LED indicator in the front of this product and follow the instructions as below:**

<b>LED Indicator</b>	<b>Operation</b>
Green LED (solid)	The connection is correct, you can start the vehicle directly.
Red LED+Beeping	Reverse connection, please correct the polarity of battery clamps.
Green LED (blinks) with beeping	The vehicle battery voltage is too low, try to press "BOOST" button 2-3s, when Green LED illuminates (solid), then start the vehicle within 30s.
NO Light, NO Beeping	The vehicle battery may be damaged, first of all, make sure the correct connection, try to press "BOOST" button 2-3s, when Green LED illuminates (solid), then start the vehicle within 30s.
Green+Red LED (blinks)	Non-stop starts vehicles more than 4 times within 10 mins, entering safe mode. Stop starting your vehicle, safe mode will disappear after 10 mins.

If any problem persists, stop using the jump starter and contact our service team directly at **support@vtoman.com**, we will do our best to solve the problem within 24 hours.

## How to Turn On/Off the LED Flashlight

Power on, then press power button for 2-3s to turn on the LED light. There are 3 modes of LED light (Normal, Strobe, SOS, Off) if you press lightly.

## How to turn off this unit ?

This unit will be turned off automatically in 10s when it's not used (no load).

## Toxic and Harmful Substances

Composition and amount of toxic or harmful substance in this product

Pb	Hg	Cd	Cr(Vi)	PBB	PBDE
0	0	0	0	0	0

0: Indicate that the content of harmful substances in all homogeneous materials is all lower than the prescribed limit of MCV (the standard 2002/95/EC/RoHs)

## Package Content

#	Part Name	Quantity
1	Host with battery clamps	1
2	Carrying Bag	1
3	USB-A to USB-C Cable	1
4	Quick Charge Wall Charger	1
5	User Manual	1

## Technical Specification

Capacity	99.2Wh
Starting Current	800A (3s)
Peak Current	4000A
USB-C In	5V/2A, 9V/2A
USB Out	5V/2.4A
Operating Temp	-20℃ ~ 60℃ / -4 ℉ ~ 140 ℉
Life time	> 1000 Cycles
Full Charge Time	6-8 hours (QC3.0 charger)



## FAQ

### **Q1: What is the operating temperature of this unit and how to store it?**

A: This unit is lithium polymer battery, operating temp is -20-60 °C/ -4-140°F. If the ambient temperature is higher than 60°C/140°F, the internal construction of the battery cells may be damaged, it may swell and become unsafe. So don't store the device in vehicle which parked in hot weather for long periods of time.

### **Q2: How to start a vehicle with this unit?**

A: Please refer to the instructions about "How to Start a 12V Vehicle".

### **Q3: How do you know if this unit is connected to the vehicle correctly?**

A: With the battery clamps connected to the vehicle battery, if the intelligent indicator in the front of this product shines a steady green light , it means clamps connected correctly, while if the intelligent indicator illuminates red light with beeping , which means it's connected reversely.

**Q4: What should I do if this unit can't start a vehicle?**

A: Recharge this unit fully, and try to press the "BOOST" button 2-3s after connecting the vehicle battery correctly, the intelligent indicator illuminates steady green light , then start the vehicle within 30s. If it still does not work, contact us at: support@vtoman.com ( Attach your order ID).

**Q5: What should I do if this unit can't charge up?**

A: Charge it with a usb-c cable and wall charger for a full overnight period. If it still does not work, contact us at: support@vtoman.com ( Attach your order ID).

**Q6: What should I do if this unit can't charge other devices?**

A: Try to charge the device with another charging cable, If it works, which means the charging cable we provided is defective, we will provide you a new one; If it still does not work, please email us at: support@vtoman.com ( Attach your order ID).

**Q7: Can this unit charge other devices while it is being charged?**

A: Yes.

**Q8: Can this product charge other devices while starting a vehicle?**

A: No.

**Q9: How often does this unit need to be recharged?**

A: It would be best to recharge it every 3 months.

**Q10: Why it shuts off in 10s when charging other devices?**

A. This unit may shut off automatically when charging for the devices that need light charging current, such as headphone, smart watch, etc since there is minimum load current limitation (200mA) on this unit, it will be automatically off after 10s if the load current is less than 200mA.

## Warning

1. Please read this user manual carefully before using this machine.
2. Please be careful when using this machine. If you do not follow the instructions, you may injure yourself or damage the equipment or vehicle battery.
3. Do Not allow people who do not have proper knowledge or ability to operate the device without supervision.
4. Do Not use this unit as a toy. Keep it away from children to avoid accident.
5. This unit work for vehicles (equipment) with 12V battery, doesn't for vehicles with non-12V battery. It is forbidden to be used in other machines, such as airplanes and ships.
6. Do Not use this unit when any cable, clamp, or cord was damaged or when this unit was overheated, swelled or leaking fluid.
7. Do Not use it as a vehicle battery or a battery charger.
8. Do not use the unit to start a vehicle while charging the internal battery.
9. Only use the battery clamps provided to start vehicle and the qualified charger to charge this unit.

10. Don't over-discharge the unit (don't let the battery run out), charge it regularly, it would be best to recharge it every 3 months.
11. Make sure the blue plug of the jumper cable is plugged fully into the battery clamps output port, otherwise, the blue plug could be melt.
12. Make sure the battery terminals are clean before starting up, and make sure the battery clamps are well connected. If the battery terminals on the vehicle are dirty or corroded, the output power of the unit will decrease.
13. Do not start the vehicle continuously for more than 4 times within 10 minutes. If the engine fails to start successfully within 3s after the first start, stop cranking and wait at least 30s to start the vehicle again.
14. Do Not connect the jump starter's clamps to the battery reversely after pressing the "BOOST" button to avoid accident.
15. Use this unit to start the vehicle when the battery power is more than 2 bars.
16. Do Not recharge this product immediately after starting the vehicle, please let it cool for 30 minutes before recharging it.

17. Do Not let the product be immersed in water
18. Do not operate this product in an explosive environment, such as a place where flammable liquid, gas or dust exists.
19. Do not modify or disassemble this machine. Only service technicians can repair this equipment.
20. Do not expose the product to extreme heat or fire.
21. Do not drop or squeeze the device. If the device is hit hard or damaged in any other way, it should be inspected by a qualified battery technician.
22. Do not store in places where the temperature may exceed 60°C/140°F.
23. Only charge at ambient temperature of -10~45°C/14~113°F.
24. Under extreme conditions, the battery may leak. If there is a liquid leak from the device, do not handle it with bare hands. If there is skin contact, wash immediately with soap and water. If the liquid accidentally touches the eyes, immediately rinse the eyes with water for at least 10 minutes and seek medical help.
25. The device contains a lithium battery. At the end of the product's service life, or if the device leaks liquid, dispose of the device according to local regulations.

## Your Warranty Includes

- **18 Months Online After- Sales Service**

Within 18 months, we will provide timely and effective online after- sales service after your purchase.

- **30 Days Money Back Guarantee**

Within the first 30 days after your purchase, you can apply return for it through Amazon when you have any product issue.

- **30 Days to 18 Months**

We will replace the defective unit due to manufacturing issues with a new one within 18 months.

## Disclaimer

A. When the product needs to be repaired or replaced, the original purchaser should show the original receipt (order ID), and the warranty will take effect.

- B. The warranty does not cover damage or product failures caused by normal wear and tear, physical abuse, improper installation, misuse, modification, or unauthorized third-party repairs.
- C. We are not responsible for any accidental or indirect damage caused by incorrect use or misuse of this product.
- D. All warranty claims are limited to repair or replacement of the defective product and at the sole discretion of vtoman.





## Attention



Do Not Submerge In Water



Do Not Disassemble



Do Not Drop



Avoid Extreme Temperatures



Do Not Place Near or Into Fire



Overcharge/discharge  
Protection



Fuse Protection



Against-reverse  
Plug

## Customer Service



18 Months Limited Warranty Service



Lifetime Technical Service



Feel Free to Contact Us  
**Support@vtoman.com**



For FAQ and More Information  
**Support@vtoman.com**

**VTOMAN**

**VTOMAN**

Thank You  
for Choosing Us



CONFORMS TO UL STD.2743



Made in China