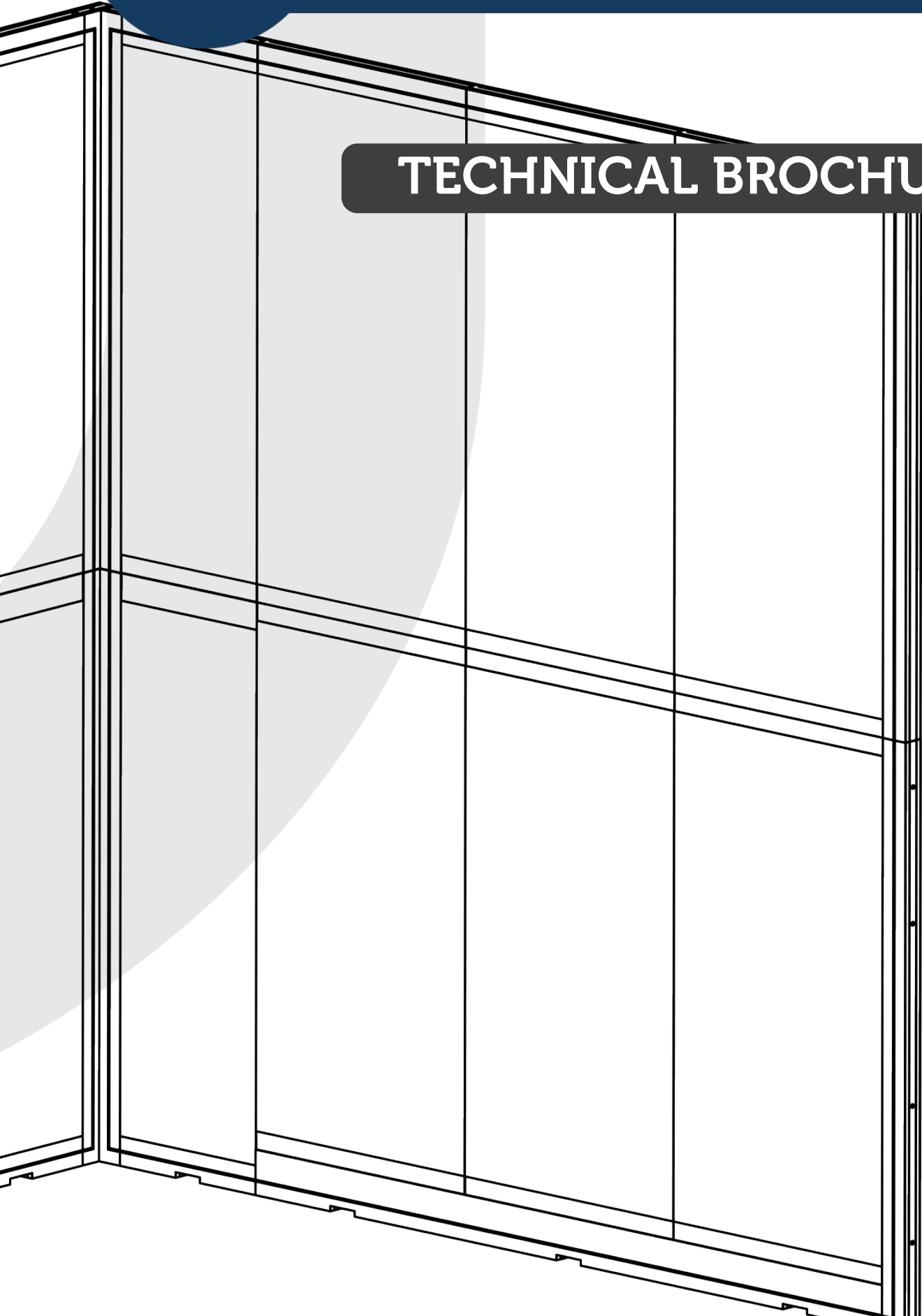




CONNECTION WALLS

A DIFFERENT KIND OF WALL

TECHNICAL BROCHURE



CANVAS PANEL

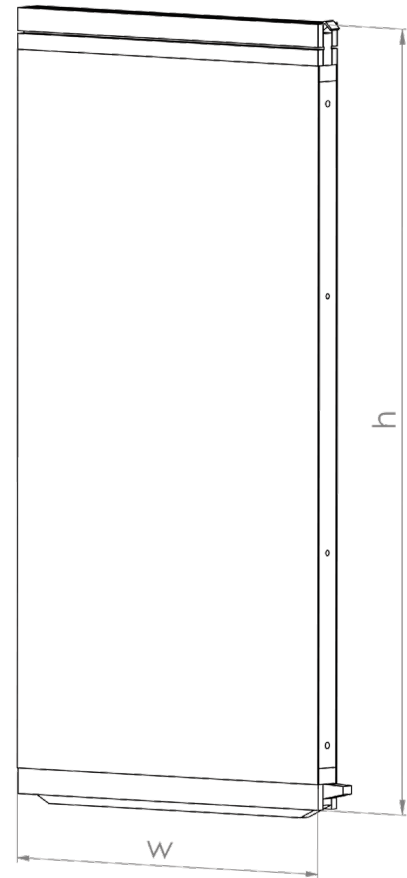
Description

Colour: light brown

Equipped with the
Connection Walls system

The canvas panels can be stacked on top of each other.

	<i>h</i>	<i>w</i>
Sizes	115cm	60cm
	175cm	60cm
	230cm	60cm



PLINTHS

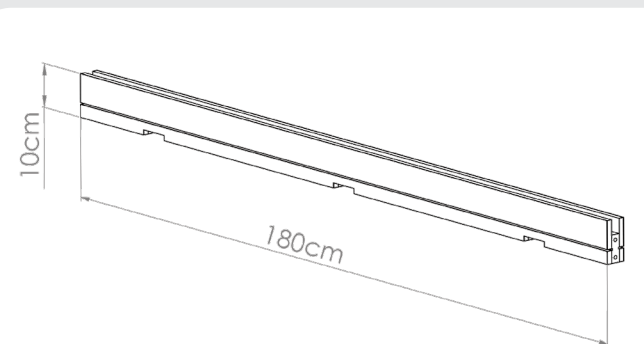
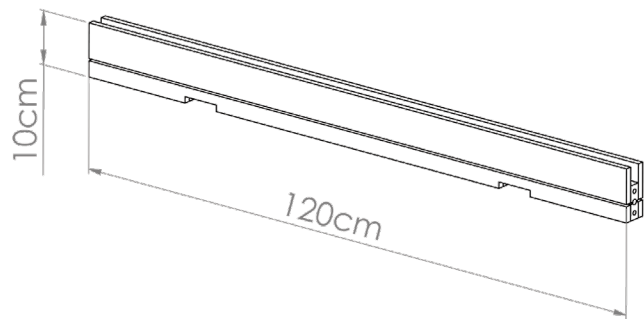
Description

Finishings:

- MDF
- Laminated plywood

The skirting boards have a groove on both sides into which the canvas (banner) can be inserted.

	<i>h</i>	<i>w</i>
Sizes	120cm	10cm
	180cm	10cm



Sizes, colors and finishes can be customized.
Contact us to request a customized product.
hello@connectionwalls.com

RIGHT CORNER BOTTOM PANEL

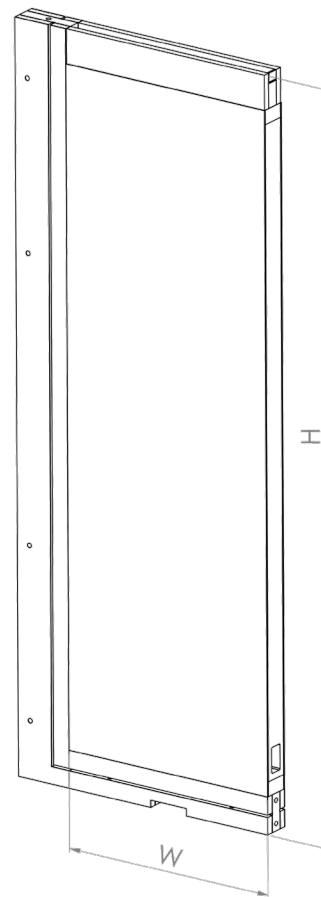
Description

Colour: light brown

Equiped with the
Connection Walls system

The bottom corner panels can not be stacked on top of each other. They are 10 cm higher than the canvas panels, because they contain the skirting board.

Sizes	<i>h</i>	<i>w</i>
	125cm	50cm
185cm	50cm	
240cm	50cm	



LEFT CORNER BOTTOM PANEL

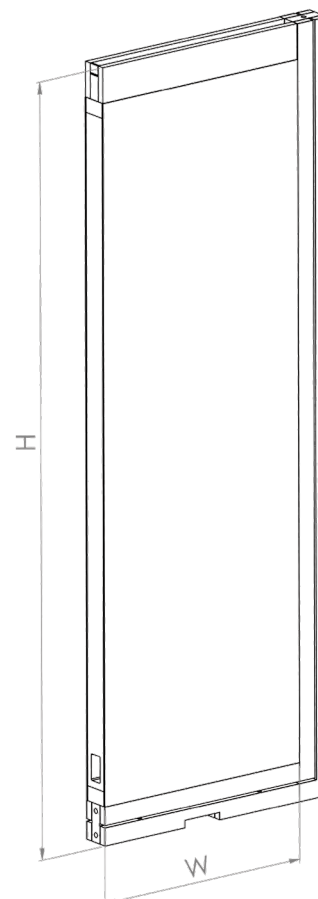
Description

Colour: light brown

Equiped with the
Connection Walls system

The bottom corner panels can not be stacked on top of each other. They are 10 cm higher than the canvas panels, because they contain the skirting board.

Sizes	<i>h</i>	<i>w</i>
	125cm	50cm
185cm	50cm	
240cm	50cm	



Sizes, colors and finishes can be customized,
Contact us to request a customized product.
hello@connectionwalls.com

RIGHT CORNER TOP PANEL

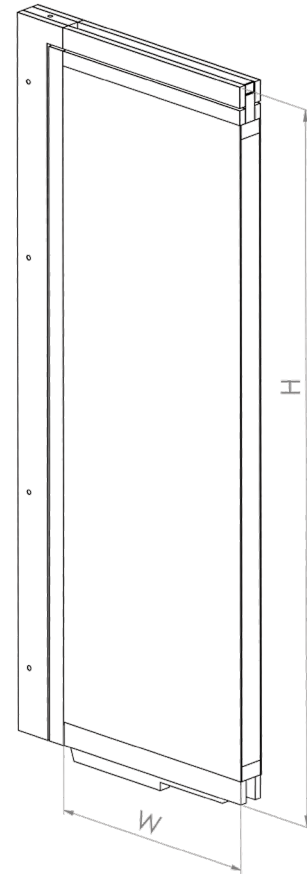
Description

Colour: light brown

Equipped with the
Connection Walls system

The top corner panels can not be stacked on top of each other.

Sizes	<i>h</i>	<i>w</i>
	115cm	50cm
	175cm	50cm
	230cm	50cm



LEFT CORNER TOP PANEL

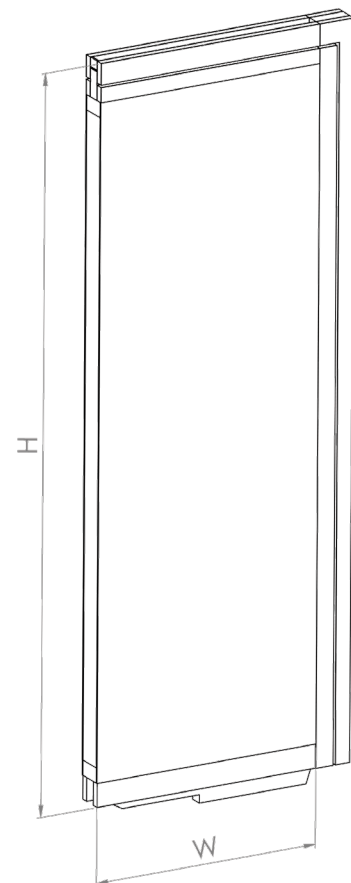
Description

Colour: light brown

Equipped with the
Connection Walls system

The top corner panels can not be stacked on top of each other.

Sizes	<i>h</i>	<i>w</i>
	115cm	50cm
	175cm	50cm
	230cm	50cm



Sizes, colors and finishes can be customized.
Contact us to request a customized product.
hello@connectionwalls.com



**CARBON
NEGATIVE**
Wall System

Connection Walls
Langestraat 224
9240, Zele

www.connectionwalls.com
hello@connectionwalls.com