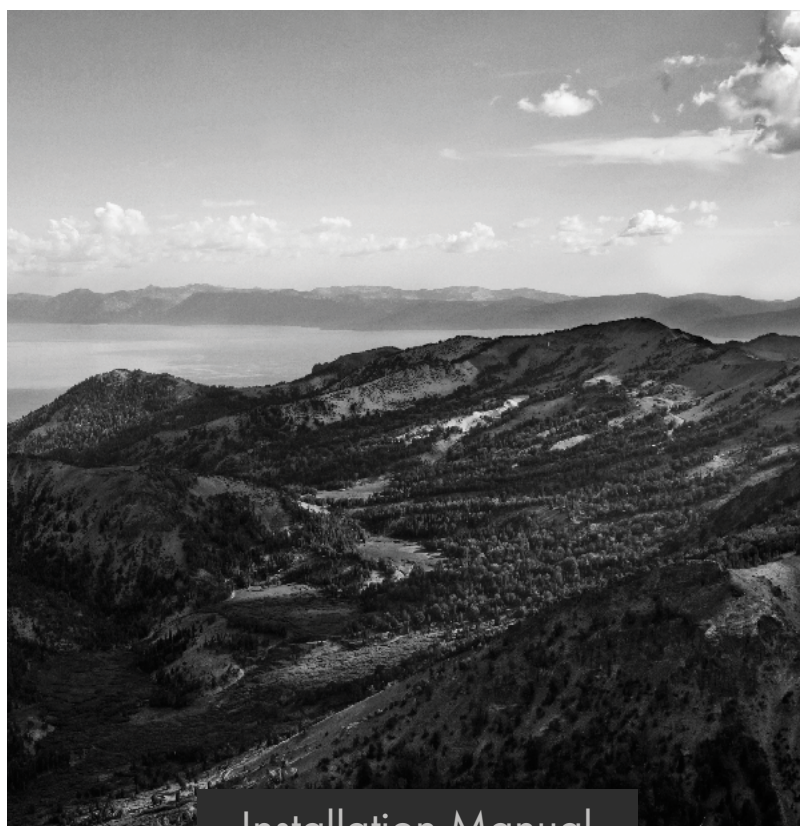


ZLINE

ATTAINABLE LUXURY[®]



Installation Manual

INDUCTION RANGES RAIND MODELS

www.zlinekitchen.com



ZLINE Kitchen and Bath provides Attainable Luxury, where the kitchen and bath of your dreams is never out of reach. Through our unique designs and unparalleled quality, we're dedicated to providing you an elevated experience in the heart of your home. With an endless selection of features and finishes, our inspiration is your reality.

ZLINE
ATTAINABLE LUXURY®



ZLINE is fueled by a passion for innovation; A relentless pursuit of bringing the highest end luxury designs and professional features into everyone's homes.

Because we continually strive to improve our products, we may change specifications and designs without prior notice.

Scan the QR code to view the most up-to-date version of the Installation Manual and User Manual.

⚠ WARNING: This product can expose you to chemicals including nickel, which is known to the State of California to cause cancer. For more information, go to www.P65Warnings.ca.gov.

TABLE OF CONTENTS

- IMPORTANT SAFETY INSTRUCTIONS 1
 - Cooking Safety 2
 - Cleaning Safety 4
 - Placement Safety 5

- BEFORE INSTALLATION. 7
 - Product Dimensions 7
 - Cabinet Cutouts 8

- INSTALLATION 10
 - Installing The Legs 10
 - Installing The Anti-Tip System 11
 - Electric Power Rating 12
 - Installation Checklist. 14
 - Final Preparation 14

- WARRANTY 15

IMPORTANT SAFETY INSTRUCTIONS

GENERAL SAFETY



WARNING

If the information in this manual is not followed exactly, a fire or explosion may result causing property damage, personal injury, or death.

- Before beginning installation, please read and follow these important instructions for the safety of your home and the people living in it.
- The manufacturer will not be responsible for any damage to property or to persons caused by incorrect installation, improper use of the appliance, or failure to heed the warnings listed.
- Installation and service must be performed by a qualified installer, professional, and/or service provider.
- In Massachusetts, installation must be performed by a “Massachusetts” licensed installer.
- The manufacturer reserves the right to make changes to its products when considered necessary and useful, without affecting the essential safety and operating characteristics.
- This appliance has been designed for non-commercial, domestic use only.
- Please observe all local, state, and national codes and ordinances. Please ensure the range is properly grounded. The plug should always be accessible.
- The installation of appliance designed for manufactured (mobile) home installation must conform with the Manufactured Home Construction and Safety Standard, Title 24CFR, Part 3280 [formerly the Federal Standard for Mobile Home Construction and Safety, Title 24, HUD (Part280)] or with local codes where applicable.
- Electrical installation must be in accordance with the National Electrical Code ANSI/NPA70-latest edition and/or local codes.
- In Canada: Electrical installation must be in accordance with the current CSA C22.1 Canadian electrical codes Part 1 and/or local codes.
- The installer should leave these instructions with the consumer who should retain for local inspectors’ use and for future reference.



WARNING

An air curtain or other overhead range/range top hood, which operates by blowing downward airflow onto the range, shall not be used/installed in conjunction with this range top.

IMPORTANT SAFETY INSTRUCTIONS

COOKING SAFETY

- To prevent accidents and achieve optimal ventilation, allow for sufficient space around the cooking area.
- This appliance is designed for built-in household use only. Do not use outdoors.
- Wear proper apparel – loose fitting or hanging garments should never be worn while using the appliance.



WARNING

NEVER use this appliance as a space heater to heat or warm the room.



WARNING

NEVER cover any slots, holes, or passages in the oven bottom or cover an entire rack with materials such as aluminum foil. Doing so blocks air flow through the oven and may cause carbon monoxide poisoning. Aluminum foil linings may also trap heat, causing a fire hazard.

- Do not allow aluminum foil, paper, or cloth to make contact with a hot element.
- Avoid preparing food in aluminum foil or plastic containers over the hot cooking zones.
- Do not use aluminum foil to line cooking zone, drip pan, or oven bottom. Improper use of these liners may result in a risk of electric shock or fire.
- Make sure drip pan is placed at bottom of the oven – absence of the drip pan during cooking may subject wiring or components underneath to damage.
- On the range top, utensil handles should be turned inward and not extend over adjacent surface units.
- Do not place metallic objects such as knives, forks, spoons, and lids on the range top surface since they can get hot.
- Do not allow pans to boil dry or empty.
- Never leave the range top unattended when in use. Never leave surface units unattended at high heat settings – boilover causes smoking and greasy spillovers that may ignite.
- Compatible cookware will improve efficiency. Always use the proper pot and pan size. The use of undersized cookware will expose a portion of the hot element, which can result in ignition of clothing or other items.
- Choose cookware with a flat bottom large enough to cover the unit heating surface.

IMPORTANT SAFETY INSTRUCTIONS

- Do not cook on a broken range top – if range top should break, cleaning solutions and spillovers may penetrate the broken range top and create a risk of electric shock. If your range top is broken, contact ZLINE immediately at 1-614-777-5004.
- Always remove the covers on sealed or canned goods before heating to avoid explosion.
- Do not touch hot surfaces. Use dry potholders or oven mitts to hold the handles of pots and pans. Do not use a towel or other bulky cloth.
- Use only dry potholders – moist or damp potholders on hot surfaces may result in burns from steam.
- Do not let the potholder touch hot heating elements.
- When the unit is on, do not touch outside the control panel, as the surface may contain residual heat. It is important to be aware that the unit's surface will remain hot for a short period of time after use.
- DO NOT TOUCH SURFACE UNITS, HEATING ELEMENTS, INTERIOR SURFACES, OR AREAS NEAR UNITS. Surface units may be hot even though they are dark in color. Areas near surface units may become hot enough to cause burns. During and after use, do not touch or let clothing or other flammable materials contact surface units or areas near units until they have had sufficient time to cool.
- Never pour cold water onto hot surfaces in a hot oven. The steam created could cause serious burns or scalding and the sudden change in temperature can damage the enamel in the oven
- Do not use water on grease fires – smother fire or flame or use dry chemicals or a foam-type extinguisher.
- Do not soak removable heating elements – heating elements should never be immersed in water.
- Do not place any pot or pan on the open oven door. The door is made of glass and it can break if loaded with a weight.
- Use care when opening door – let hot air or steam escape before removing or replacing food.



Do not store items of interest to children in cabinets above the range or on the backguard of a range – children climbing on the range to reach items could get seriously injured.

IMPORTANT SAFETY INSTRUCTIONS

- Do not allow children to touch or play in, on, or near the oven.
- Children should not be alone or unsupervised in the area where the appliance is installed.
- The oven gets hot at the oven door glass, the vapor vent, the handle, and the operating controls, increasing risk of burns. Children's skin is more sensitive to high temperatures than that of adults.

CLEANING SAFETY

- Do not use steam cleaners or high-pressure cleaners to clean the range top, as this may result in electric shock.
- Clean range top with caution – if a wet sponge or cloth is used to wipe spills on a hot cooking area, be careful to avoid steam burn. Some cleaners can produce noxious fumes if applied to a hot surface.

CONDITION OF UNIT



Do not operate any appliance if the cord is damaged, the appliance malfunctions, or the appliance is damaged. In the event your appliance is broken or damaged upon arrival, contact ZLINE immediately at 1-614-777-5004.

PLACEMENT SAFETY

- Do not carry or lift the range by the oven door handle or the control panel.
- Do not store or use gasoline or any other flammable substances in the vicinity of this or any other appliance.
- To reduce the risk of fire, do not let any objects (glass, paper, etc.) obstruct the inlet and outlet of your range top.
- To reduce the risk of electric shock, do not mount unit over a sink.
- To reduce the risk of fire, do not store anything directly on top of the appliance surface at any time.
- Always have a working smoke detector in or near the kitchen.

IMPORTANT SAFETY INSTRUCTIONS



Do not leave lids or other metal objects such as knives, forks, or spoons on the range top. If the range top is turned on, these objects can heat up quickly and may cause burns.

- Do not place rough or uneven objects on the units as they may damage the surface.
- If the range top is near a window, ensure that curtains and drapes do not blow over or near the unit.
- Do not use the range top as a work surface. Certain substances such as salt, sugar, or sand can scratch the glass ceramic surface.
- Do not store hard or pointed objects over the range top as they can damage the unit if they fall on top.
- While cooking, any overflowed fat or oil on the range top may ignite, creating a risk of fire and burns. Control the cooking process at all times.
- The use of accessory attachments that are not recommended by ZLINE may cause injuries.
- Items with a magnetic field, such as radios, televisions, credit cards, cassette tapes, etc., can affect the unit.
- To eliminate the risk of burns or fire from over-heated surface units, cabinet storage space located above the range should be avoided. If cabinet storage is used, the risk can be reduced by installing a range hood that projects horizontally a minimum of 5 inches beyond the bottom of the cabinet.

IMPORTANT SAFETY INSTRUCTIONS

POWER CORD SAFETY

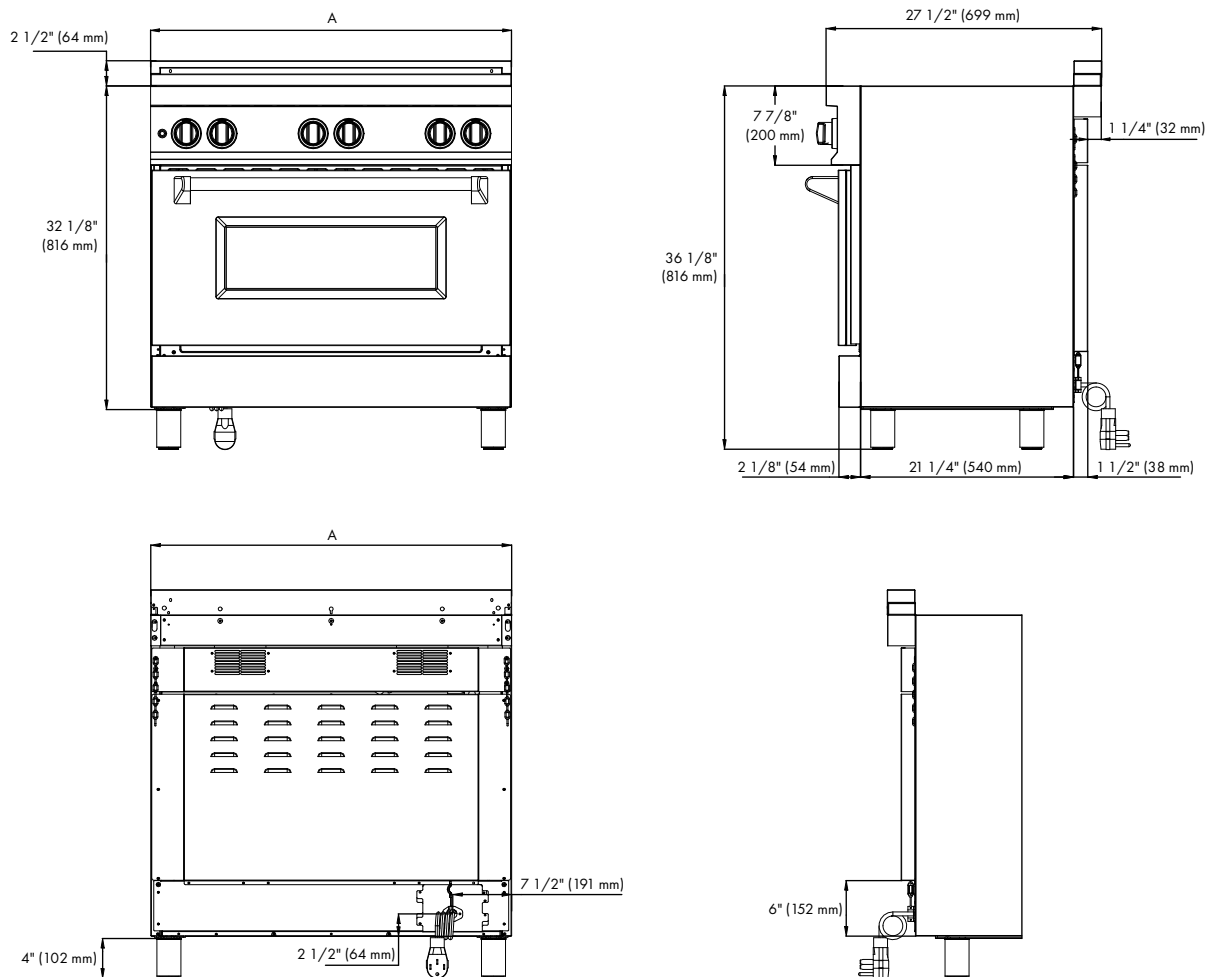
- Please ensure the range is properly grounded.
- The marked electrical rating should be at least as great as the electrical rating on the appliance.
- The plug should always be accessible.
- To protect against electric shock, do not immerse cord or main body in water or any other liquid.
- Do not let cord hang over edge of table or counter. The cord should be arranged so that it will not drape over the countertop where it can be pulled on by children or tripped over.
- Do not allow cord to touch hot surface. A short power supply cord or detachable power supply cord should be used to reduce the risk of becoming entangled in or tripping over a longer cord.
- Always attach plug to appliance first, then plug cord into the wall outlet. To disconnect, turn any control on the range off, then remove plug from wall outlet.
- No attempt should be made to operate the appliance during power failure.
- Wear proper apparel – loose-fitting or hanging garments should never be worn while using the appliance.

ENVIRONMENTAL SAFETY

- This range should not be treated as household waste. It should be handed over to the applicable collection point for the recycling of electrical and electronic equipment.
- By ensuring this product is disposed of correctly, you will help prevent potential negative consequences to the environment and human health, which could otherwise be caused by inappropriate waste handling of this product.
- For more detailed information about recycling of this product, please contact your local government office, your household waste disposal service, or the shop where you purchased the product.

BEFORE INSTALLATION

PRODUCT DIMENSIONS



NOTE: "A" changes depending on size of range:

- **RAIND-24 series ranges:** Actual product width is $23\frac{7}{8}''$ (606 mm)
- **RAIND-30 series ranges:** Actual product width is $29\frac{3}{4}''$ (756 mm)
- **RAIND-36 series ranges:** Actual product width is $35\frac{3}{4}''$ (908 mm)

* The above diagram is of the RAIN-36 model; the measurements listed besides width are universal across all RAIN models. For additional dimensions, see pages 8–9.

BEFORE INSTALLATION

INSTALLATION ADJACENT TO CABINETS

- The range may be installed directly adjacent to existing standard countertop cabinet heights of 36" (914 mm) from the floor.
- For the best look, the range top should be level with the cabinet countertop, depending on your kitchen layout. This can be accomplished by adjusting the leg height as noted on page 10.
- **NOTE:** The range CANNOT be installed directly adjacent to kitchen walls, tall cabinets, tall appliances, or other vertical surfaces above 36" (914 mm) high. The minimum side clearance in such cases is 6" (152 mm).
- Wall cabinets with minimum side clearance must be installed 18" (457 mm) above the countertop with countertop height between 35 1/2" (901 mm) and 37 1/4" (946 mm). The maximum depth of wall cabinets above the range shall be 13" (330 mm).

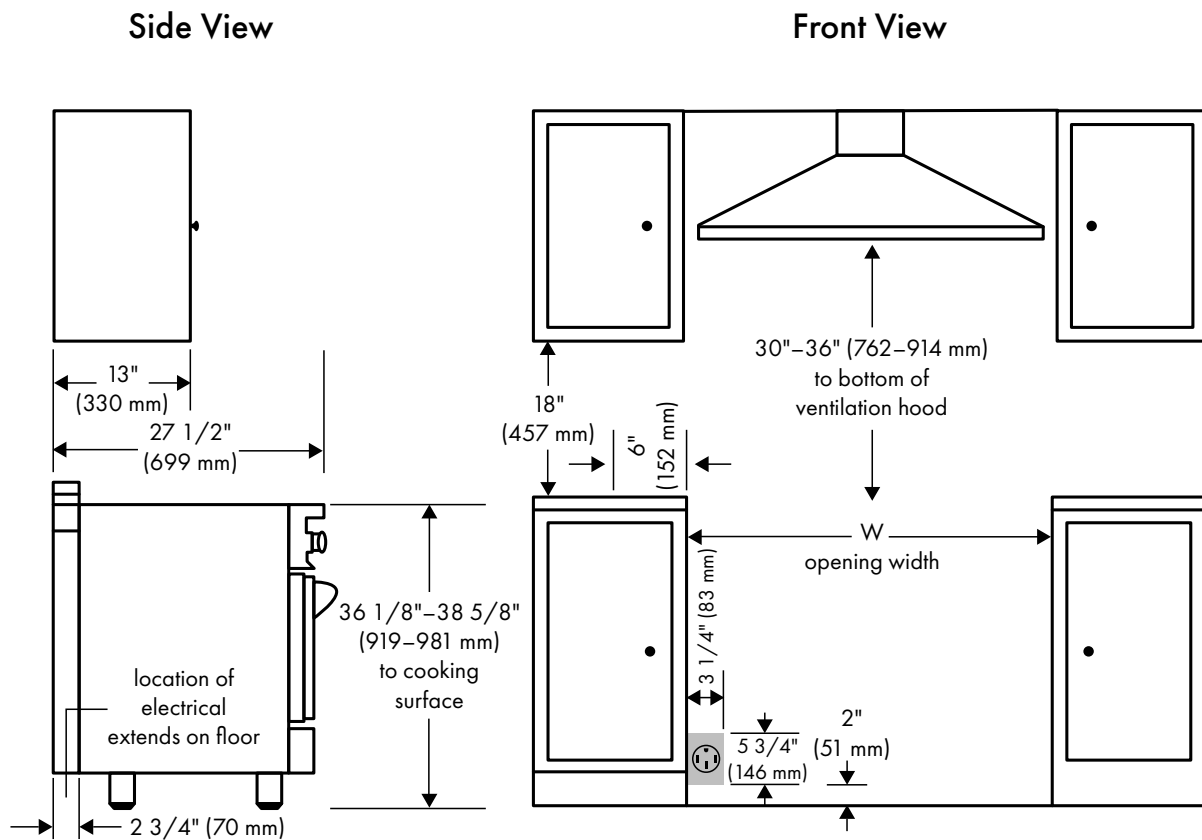
CABINET CUTOUTS

- For cutout depth, the recommendation for all RAIND models is the standard cabinet depth of 24" (610 mm) so the front face of the oven sticks out from the counter to fully and safely open the door for optimal use.
- For cutout width between cabinets, the recommendations below are slightly larger than the actual product widths noted on pages 7 and 9; this allows for minimal clearance on each side. Kitchen layouts may vary slightly, so adjust accordingly.:
 - RAIND-24 series ranges: 24" (610 mm)
 - RAIND-30 series ranges: 30" (762 mm)
 - RAIND-36 series ranges: 36" (914 mm)



Do not install ranges in an island configuration. Exposed areas of the range may become hot and can cause injury.

BEFORE INSTALLATION



MINIMUM CUTOUT WIDTH

"W" changes with size of range: 24", 30", 36" (610 mm, 762 mm, 914 mm)

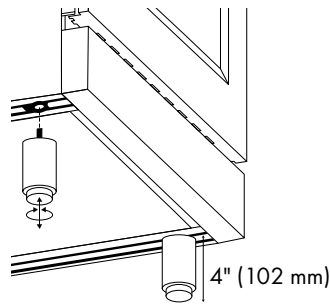
RANGE SIZE	EXTERNAL DIMENSIONS*	INTERNAL OVEN DIMENSIONS
RAIND-24 series ranges	23 7/8" W x 27 1/2" D x 36 1/8" H 606 mm W x 699 mm D x 918 mm H	18 1/2" W x 18 1/2" D x 14" H 470 mm W x 470 mm D x 356 mm H
RAIND-30 series ranges	29 3/4" W x 27 1/2" D x 36 1/8" H 756 mm W x 699 mm D x 918 mm H	26 1/2" W x 18 1/2" D x 14" H 673 mm W x 470 mm D x 356 mm H
RAIND-36 series ranges	35 3/4" W x 27 1/2" D x 36 1/8" H 908 mm W x 699 mm D x 918 mm H	30 1/2" W x 18 1/2" D x 14" H 775 mm W x 470 mm D x 356 mm H

* Product heights are based on legs being at their lowest settings.

INSTALLATION

INSTALLING THE LEGS

The ranges must be used with the legs properly installed. Height-adjustable legs are shipped with the range in a foam container above the range. Legs are 4" (102 mm) tall and can be adjusted up to 2 1/2" (64 mm) for a maximum height of 6 1/2" (165 mm).

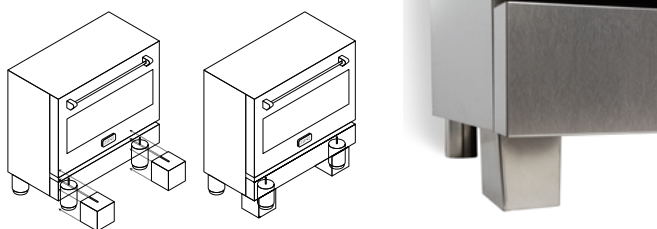


Before installing the legs, position the appliance near its final location, as the legs are not suitable for moving the appliance over long distances.

1. After unpacking the range, raise it enough to insert the legs in the appropriate receptacles situated on the lower part of the appliance. Lower the range gently to keep any undue strain from legs and mounting hardware.
2. Adjust leg height to the desired level by twisting the inside portion of the leg assembly until the proper height is reached. Check with a level that the range is perfectly level.

INSTALLING THE SQUARE COVERS

Some ranges come with attachable square leg covers. To install, loosen the round leg from the range to accommodate for the square leg. Align the top of the square leg (with the slit) to the top of the round legs and slide in. Adjust the square leg and the round leg until they are flush with the ground.



NOTE: If the range is not level, the cooking will be uneven. When adjusting the legs, ensure they are the same height.

INSTALLATION

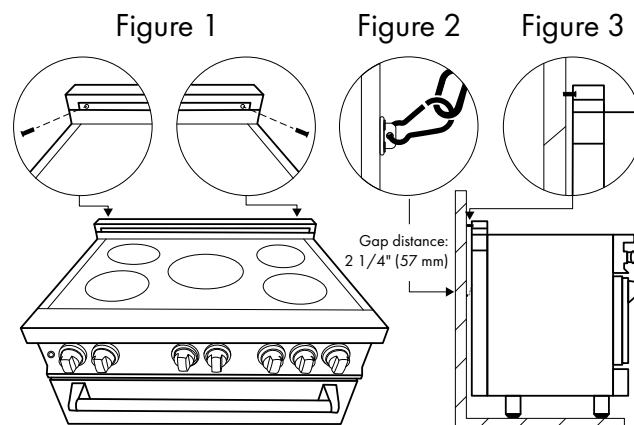
INSTALLING THE ANTI-TIP SYSTEM

The chains shipped with the range must be properly secured to studs on the rear wall. The height of the bracket from the floor must be determined after the range legs have been adjusted to the desired height and after the range has been leveled.



WARNING

A child or adult can tip the range and be injured; use care to adjust the chains if the range is moved. Failure to do so can result in death or serious injury.



1. Measure the distance from the floor to where the chains connect on the back of the appliance.
2. Position the ends of the chains on the wall at the desired height and add an extra 1/8" (3 mm) to ensure stability. Mark each location with a pencil. The chains must be placed at 2 1/4" (57 mm) from the back of the range (see Figure 2 above).
3. Pre-drill holes at the marked locations on the wall.
4. Slide the range against the wall, feed Phillips-head screws through each chain, and tighten using a stub screwdriver or drill with a 90° adapter. Refer to Figure 2 above.
5. Check to see that the chains are connected properly. Then grasp the top rear edge of the range and carefully attempt to tilt it forward. Verify that the chains are engaged.
6. You may also secure the range with fixed screws on the wall by drilling screws through the holes in the false exhaust plate at the top rear edge of the range (see Figures 1 and 3).

NOTE: If your wall is not suitable for installation, chains and/or screws should be fixed to an appropriate cabinet structure.



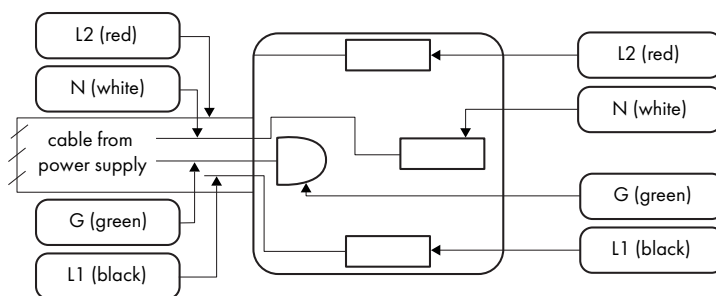
Scan to follow along with a video.

INSTALLATION

ELECTRIC POWER RATING

RAIND-24, RAIND-30, RAIND-36 SERIES RANGES	
VAC	240
Plug	NEMA 14-50P (50 AMP plug)
Amps	41
Hz	60
W	9650

Four-Wire Connection Receptacle NEMA 14-50R



ELECTRICAL GROUNDING

This oven is equipped with a four-prong plug for protection against shock hazard and should be plugged directly into a properly grounded receptacle. A properly grounded and horizontally-mounted NEMA 14-50P electrical outlet should be installed in the wall behind the range at least 2" (51 mm) above the floor and not more than 8" (203 mm) from the bottom left side (facing product).



Disconnect electrical power at the circuit breaker box or fuse box before installing the appliance. Provide appropriate ground for the appliance. Use copper conductors only. No attempt should be made to operate the appliance during power failure.

Label all wires prior to disconnecting when servicing controls. Wiring errors can cause improper and dangerous operation. Verify proper operation after servicing. Only a qualified electrician or professional may conduct electrical service on this unit.

INSTALLATION

Check your local code for which of the following options may be used in grounding the receptacle power supply connections. Only a qualified electrician or professional can carry out these grounding options.

NOTE: Any improper electrical wiring service performed on this unit by the customer and/or installer will void the warranty.

OPTION 1 - FOUR-WIRES CONNECTION:

1. Connect the L1 receptacle terminal to the incoming BLACK electrical supply wire (L1-hot wire).
2. Connect the L2 receptacle terminal to the incoming RED electrical supply wire (L2-hot wire).
3. Connect the NEUTRAL receptacle terminal to the incoming NEUTRAL (WHITE) electrical supply wire.
4. Connect the GROUND receptacle terminal to the incoming GROUND (GREEN) electrical supply wire.

OPTION 2 - THREE-WIRES CONNECTION: (THIS OPTION IS ONLY AVAILABLE IN THE UNITED STATES)

1. Connect the L1 receptacle terminal to the incoming BLACK electrical supply wire (L1-hot wire).
2. Connect the L2 receptacle terminal to the incoming RED electrical supply wire (L2-hot wire).
3. Connect the NEUTRAL with the GROUND receptacle terminal to the incoming NEUTRAL (WHITE) electrical supply wire.

- DO NOT USE EXTENSION CORDS WITH THIS APPLIANCE AS IT MAY RESULT IN FIRE, ELECTRIC SHOCK, OR PERSONAL INJURY.
- The appliance is equipped at the factory with a four-wire electric supply cord with ring terminals (L1, L2, N, Ground) suitable for range use UL/CSA listed type SRDT/DRT 4x6AWG (L1, L2, N, G) rated 300V, 50A with fused plug type NEMA 14-50P; cable length is 60" (1524 mm).
- If the supply cord set must be replaced, it must be replaced with an identical set having the same technical specifications.

INSTALLATION

INSTALLATION CHECKLIST

1. Is the range mounted on its legs and is the unit level?
2. Is the back guard securely connected?
3. Have the chains been properly installed?
4. Does the clearance from the side cabinets comply with the manufacturer's direction?
5. Is the electricity properly grounded to a dedicated NEMA 14-50P receptacle?

FINAL PREPARATION

- All stainless steel body parts should be wiped with hot, soapy water and with a stainless steel cleanser.
- If build-up occurs, do not use steel wool, abrasive cloths, cleaners, or powders. If it is necessary to scrape stainless steel to remove encrusted materials, soak with hot, wet cloths to loosen the material, and then use a wood or nylon scraper. DO NOT use a metal knife or any other metal tool to scrape stainless steel. Scratches are almost impossible to remove.
- Before using the oven for food preparation, clean thoroughly with a warm soap and water solution to remove film residues and any dust or debris from installation, then rinse and wipe dry.

WARRANTY

COVERAGE

ZLINE Kitchen and Bath ("ZLINE") induction ranges have a one year parts and service warranty.

ZLINE warranty periods begin from the original purchase date of the product and solely cover the original purchaser of the product, delivered new and in its original carton. The limited warranty covers all parts and labor for necessary repairs if any part of the product, or the product itself, proves to be defective in materials or workmanship. The product must be deemed serviceable via troubleshooting with the ZLINE Customer Experience team. All service on ZLINE products under warranty must be performed by ZLINE-approved and ZLINE-certified service providers unless otherwise specified by ZLINE. Service will be provided during normal business hours. Products must be unobstructed and accessible to the service provider at the time of service. ZLINE's liability is limited to the original purchase price of the product. Additional injuries, losses, damages, or other inconveniences caused by product malfunction or defects in materials are not covered under the terms of this warranty.

TERMS

ZLINE warranties apply only to the original purchaser of a ZLINE product installed for normal residential use. This is defined as a single-family, residential dwelling in a non-commercial setting. Any warranty claim stemming from installation, operation, or any other use within a commercial setting is not covered under this limited warranty. Commercial settings include, but are not limited to: schools, churches, hotels, restaurants, vacation rentals such as Airbnb, daycare centers, private clubs, fire stations, common areas in multi-family dwellings, nursing homes, food service locations, and institutional food service locations such as hospitals or correctional facilities.

This warranty is non-transferable and will not under any circumstance be extended based on the date of installation — the warranty period takes effect from the date of purchase and only covers the original purchaser. The warranty applies only to products installed in the contiguous United States and the District of Columbia. Failure to secure certified warranty service per these terms will result in a forfeiture of the remaining warranty. Out-of-pocket payments will not be reimbursed unless prior approval is received from ZLINE and/or ZLINE-certified service contract partners. Unapproved out-of-pocket payments for service will not be reimbursed. All warranty procedures must be followed to maintain warranty coverage.

WARRANTY

If a product qualifies within the service window provided under these warranty terms, and ZLINE is unable to repair the product or a defective part of the product after a reasonable number of attempts, ZLINE reserves the right to offer to replace the defective part or the product or provide the original purchaser a full refund of the purchase price of the product (not including installation, removal, or other charges that were not included in the original purchase price). The original purchaser of the product must provide the original proof of purchase, including the purchase date, when filing a claim to obtain replacement parts, service, or refunds. Additionally, the original purchaser of the product must provide the serial number of the product when filing a claim to obtain replacement parts, service, or refunds.

This warranty shall not apply to any ZLINE product in which the original factory serial number has been removed, altered, or cannot be readily determined for any reason. Further, ZLINE is not responsible for damage resulting from, but not limited to: shipment, delivery, or improper installation; negligence or improper maintenance, misuse, or abuse of the product; unauthorized alteration, modification, or tampering with the product; accident, fire, floods, pest infestations, pandemics, natural disasters, or any other unpreventable or unexplained acts of nature, commonly referred to as "acts of God"; flare-up fires or damages caused by improper electric supply, electrical line current, voltage, or power surges; and service to correct installation not in accordance with the instructions contained in ZLINE's product manuals and/or with local government codes.

This warranty does not apply to aesthetic damage, scratches, or natural wear caused by normal use; second-hand, open box products, or products purchased from an unauthorized retailer; and damages or issues stemming from alteration or tampering with the range, including, but not limited to, painting any portion of the product's interior or exterior and cutting the supplied power cord to manually hardwire the product.

In the event service is dispatched, and it is discovered that the reported issue is not covered under warranty based on the disclaimers above, the customer will be responsible for all service fees. Failure to pay these fees will result in the forfeiture of remaining warranty coverage.

WARRANTY

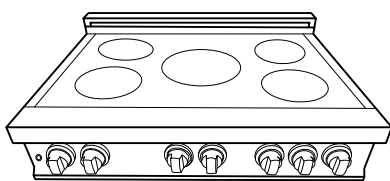
Information contained within ZLINE's installation and user manuals, in addition to product information included on ZLINE's website and all related digital listings, do not cover every possible condition and situation that may occur during the installation or operation of ZLINE products.

ZLINE reserves the right to make changes at any time to its products when considered safe, necessary, and useful. Always check the ZLINE website for the most up-to-date version of its product manuals: www.zlinekitchen.com/pages/manuals.


Do not install or operate any ZLINE product if it has missing or broken parts or if it arrives damaged due to shipping. If ZLINE products arrive damaged, contact ZLINE Customer Experience at 1-614-777-5004 for help. Failure to report a damaged appliance prior to installation or operation may void the warranty.

ZLINE disclaims responsibility for damage or injury caused by improper installation or use of any of its products. ZLINE is under no obligation, by law or otherwise, to provide concessions, including repairs, prorates, rebates, discounts, or replacements, once the warranty has expired.

SERIAL NUMBER LOCATION



Appliance Tag Here

PROD:	Range	
MODEL:	RAIND-36	
DATE:	2022.7.30	
SERIAL NO:	RAIND36GE22070001-01	
ZLINE Kitchen and Bath LLC 350 Parr Circle Reno, NV 89512		

Please write down the model number and serial number of your appliance. Both numbers are located on the rating tag located under the front edge of the range top. The tag is visible when the oven door is open. Do not remove permanently affixed labels, warnings, or plates from the product. This will void the warranty. You may also consider attaching your receipt or proof of purchase to this manual.

WARRANTY



SERVICE

For warranty service, please contact our Customer Service team at 1-614-777-5004 or visit www.zlinekitchen.com/contact to utilize our online Customer Experience Portal.



Need to purchase a part or accessory for your ZLINE product?
Visit www.zlineparts.com, ZLINE's official parts distribution partner.



Scan the QR code to view the most up-to-date version of our User Manual and Installation Manual.

2.0.0

1-614-777-5004

www.zlinekitchen.com

contact@zlinekitchen.com

ZLINE
ATTAINABLE LUXURY®