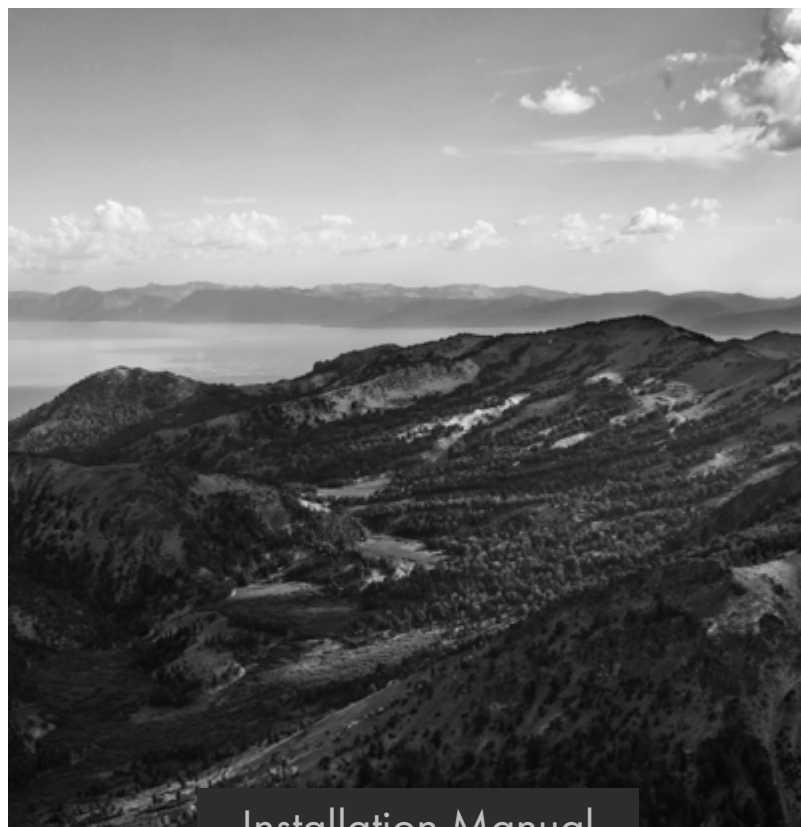


# ZLINE

ATTAINABLE LUXURY<sup>®</sup>



Installation Manual

## **FREESTANDING REFRIGERATION 36" RSM-W MODELS**

[www.zlinekitchen.com](http://www.zlinekitchen.com)



ZLINE Kitchen and Bath provides Attainable Luxury, where the kitchen and bath of your dreams is never out of reach. Through our unique designs and unparalleled quality, we're dedicated to providing you an elevated experience in the heart of your home. With an endless selection of features and finishes, our inspiration is your reality.

**ZLINE**  
ATTAINABLE LUXURY®



ZLINE is fueled by a passion for innovation; A relentless pursuit of bringing the highest end luxury designs and professional features into everyone's homes. Because we continually strive to improve our products, we may change specifications and designs without prior notice.

**⚠ WARNING:** This product can expose you to chemicals including nickel, which is known to the State of California to cause cancer. For more information, go to [www.P65Warnings.ca.gov](http://www.P65Warnings.ca.gov).

# TABLE OF CONTENTS

<b>IMPORTANT SAFETY INSTRUCTIONS</b> . . . . .	<b>1</b>
General Safety . . . . .	1
Food Safety . . . . .	3
Electrical Connection . . . . .	5
<b>BEFORE INSTALLATION</b> . . . . .	<b>6</b>
Product Dimensions . . . . .	7
Product Dimensions . . . . .	8
Cutout Dimensions And Clearances . . . . .	9
Leveling The Feet. . . . .	10
Leveling The Doors. . . . .	10
Door Handle Installation . . . . .	11
Water Filter Replacement / Installation . . . . .	12
Installing The Water Line . . . . .	13
<b>INSTALLATION</b> . . . . .	<b>14</b>
Installing The Water Line . . . . .	14
<b>WARRANTY</b> . . . . .	<b>15</b>



# IMPORTANT SAFETY INSTRUCTIONS



This warning symbol indicates a potentially hazardous situation which, if not avoided, could result in death or serious injury.



This unit's installation and user manuals contain important safety information. Failure to follow these instructions may result in death, fire, or electric shock.

## GENERAL SAFETY

- This appliance is not intended for use by persons (including children) with reduced physical, sensory or mental capabilities, or lack of experience and knowledge, unless they have been given supervision or instruction concerning use of the appliance by a person responsible for their safety.
- Children should be supervised to ensure that they do not play with the appliance.
- If the electrical supply cord is damaged, it must be replaced by a professional in order to avoid electric shock hazards.
- Do not store explosive substances, such as aerosol cans with a flammable propellant, in or near this appliance.
- The appliance must be unplugged before carrying out any maintenance or if it will not be used for extended periods of time.



Keep ventilation openings in the appliance enclosure or in the built-in structure clear of obstruction.



Do not use mechanical devices or other means to accelerate the defrosting process of this unit.



Do not damage the unit's refrigerant circuit and sealed cooling system.



Do not use electrical or mechanical appliances inside the food storage compartments of the appliance.



At the end of its service life, dispose of the refrigerator according to local regulations, due to the use of flammable blowing gas and refrigerant.

# IMPORTANT SAFETY INSTRUCTIONS



**WARNING**

When positioning the appliance at its installation location, ensure the electrical supply cord is not kinked or damaged.

- Do not use extension cords or ungrounded (2-prong) adapters when connecting this appliance to electricity.
- The refrigerator must be fully disconnected from electricity before installing accessories or when servicing the product.
- Minimum/maximum inlet water pressure is 40/100 psig (0.28/0.69 MPa).
- For refrigerator doors or drawers fitted with locks and keys, the keys should be kept out of the reach of children and not in the vicinity of the appliance in order to prevent children from being locked inside.
- Do not arbitrarily disassemble or reconstruct the refrigerator. Maintenance of the appliance must only be conducted by a professional service person.



**WARNING**

Risk of child entrapment. To avoid safety and suffocation risks for children or pets, before you dispose of the appliance, take off the doors and drawers and leave the shelves in place so children or pets may not climb inside.



**WARNING**

Do not use multiple portable electrical outlets or portable power supplies at the rear of the appliance.



**WARNING**

To avoid any hazards due to instability of the appliance, adjust the height according to the instructions provided in this manual.

## PLACEMENT OF ITEMS

- Do not put flammable, explosive, volatile, or highly corrosive items in the refrigerator or freezer to prevent damage to the product and limit risk of fire or explosion.
- Do not place flammable items near the refrigerator to limit risk of fire or explosion.
- The refrigerator is intended for household use, such as the storage of food; it shall not be used for other purposes, such as storage of blood, drugs, biological products, etc.
- Do not store beer, soda, or other beverages contained in bottles or enclosed containers in the freezing compartment. Bottles or sealed containers may crack or explode due to freezing temperatures and can damage the refrigerator.

# IMPORTANT SAFETY INSTRUCTIONS

## FOOD SAFETY

- To avoid food contamination, please read the following instructions and information:
  - Opening the door for long periods of time can cause a significant increase in the temperatures inside the appliance.
  - Users should regularly clean surfaces and accessible drainage systems that come in contact with food.
  - Clean water tanks if they have not been used for 48 hours, and flush the water system connected to the water supply if water has not been drawn for 5 or more days.
  - Store raw meat and fish in suitable containers in the refrigerator so that it does not contact with or drip onto other food.
  - If the appliance is left empty for long periods of time, you should disconnect from power, defrost, clean, dry, and leave the door open to prevent mold developing within the appliance.
  - Before putting in any fresh or frozen food, the refrigerator should run for 2–3 hours or for over 4 hours in the summer when ambient temperatures are high.
- The gaps between the doors and between the doors and the refrigerator body are small. Do not to put your hand in these areas. Be gentle when closing the refrigerator door to avoid food or liquids falling or spilling.
- Do not pick up food or containers with wet hands in the freezer compartment when the refrigerator is running, especially metal containers, to avoid frostbite.
- Do not place heavy objects on the top of the refrigerator. Objects may fall when closing or opening the doors, increasing risk of injury.
- Unplug the appliance from electricity in the event of power failure and when performing routine cleaning. When disconnecting from electricity, wait at least five minutes before plugging back in to prevent damages to the compressor and sealed cooling system due to successive stops and starts.

# IMPORTANT SAFETY INSTRUCTIONS

## ENERGY WARNINGS

- Refrigerating appliances might not operate consistently (for example: defrosting of food or warming temperatures inside the freezer compartment) when set below the cold end of the range of temperatures designed for the appliance.
- Effervescent drinks should not be stored in the freezer compartment or in low-temperature chambers or cabinets. Additionally, some products such as ice water should not be consumed too cold.
- Do not exceed storage time(s) recommended by food manufacturers for any kind of food, particularly for commercially quick-frozen food in the freezer compartment.
- It's recommended to wrap frozen food in several layers of parchment paper or newspaper to prevent an undue rise in the temperature while defrosting the refrigerator.
- An increase in temperature of frozen foods during manual defrosting, maintenance, or cleaning could shorten the storage life of the unit.

## WARNINGS FOR DISPOSAL

Both the refrigerant (R600a isobutane) and cyclopentane foaming material used for this appliance are flammable. Therefore, when the appliance reaches the end of its service life, it should be kept away from any fire source and be disposed of according to local regulations so as to prevent damage to the environment or other harm.



When the refrigerator is disposed of, disassemble the doors and remove gasket of door and shelves. Put the doors and shelves in a proper place to prevent damage to the environment or any other harm.

**Correct disposal of this product:** This icon indicates this product should not be disposed with other household wastes. To prevent possible harm to the environment or human health from uncontrolled waste disposal, recycle it responsibly to promote the sustainable reuse of material resources.



# IMPORTANT SAFETY INSTRUCTIONS



Failure to follow these instructions may result in death, fire, or electric shock.

## ELECTRICAL CONNECTION

- Do not pull on the power cord unplugging the refrigerator. Firmly grasp the plug and pull out it from the socket directly.
- To ensure safe use, do not damage the power cord or use the power cord when it is damaged or worn.
- Use a dedicated power outlet. The power outlet shall not be shared with any other electrical appliance. The power plug should be firmly connected in the outlet, or else the risk of fire or electrical shock increases.
- The appliance must be grounded. Ensure that the grounding electrode of the power outlet is equipped with a reliable grounding line.
- In the event of a gas leakage or leakage of other flammable gases in your kitchen, immediately turn off the valve of the leaking gas and then open the doors and windows. Do not unplug the refrigerator and/or other electrical appliances if gas is present, as that may spark and cause a fire.
- Do not operate electrical appliances on the top of the appliance or directly adjacent to the appliance.

## ENERGY SAVING TIPS

- The appliance should be located out of direct sunlight and in the coolest area of the kitchen, away from heat-producing appliances or heating ducts.
- Let hot foods cool to room temperature before placing them inside the appliance. Overloading the appliance forces the compressor to run longer. Food that freezes too slowly may lose quality or spoil.
- Be sure to wrap food properly and wipe containers dry before placing them in the appliance. This cuts down on frost build-up.
- Refrigerator storage bins should not be lined with aluminum foil, wax paper, or paper toweling. Liners interfere with cold air circulation, making the appliance less efficient.
- Organize and label food to reduce door openings and extended searches. Remove as many items as needed at one time and close the door as soon as possible.

# BEFORE INSTALLATION

## TOOLS AND PARTS

### PARTS PROVIDED

- **Fastener Rings (3)** — to adjust door height as necessary (see page 10)
- **Anchor Bolts (6)** — to install door handles (see page 11)
- **Allen Wrench / Hex Key (1)** — to secure door handles (see page 11)
- **Refrigerator Handles (2)**
- **Freezer Handle (1)**

### PARTS AND TOOLS NEEDED

- **Pliers** — to adjust door height as necessary (see page 10)
- **Water Line Installation Kit** — to connect the water line (see pages 13–14)

### BEFORE INSTALLING THE APPLIANCE

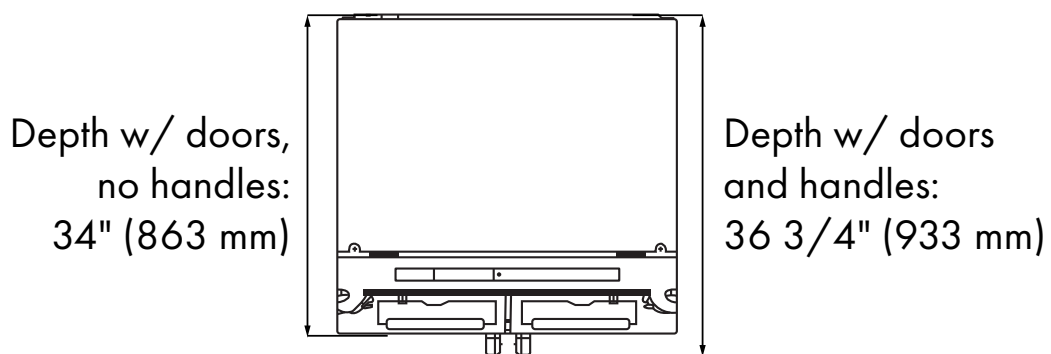
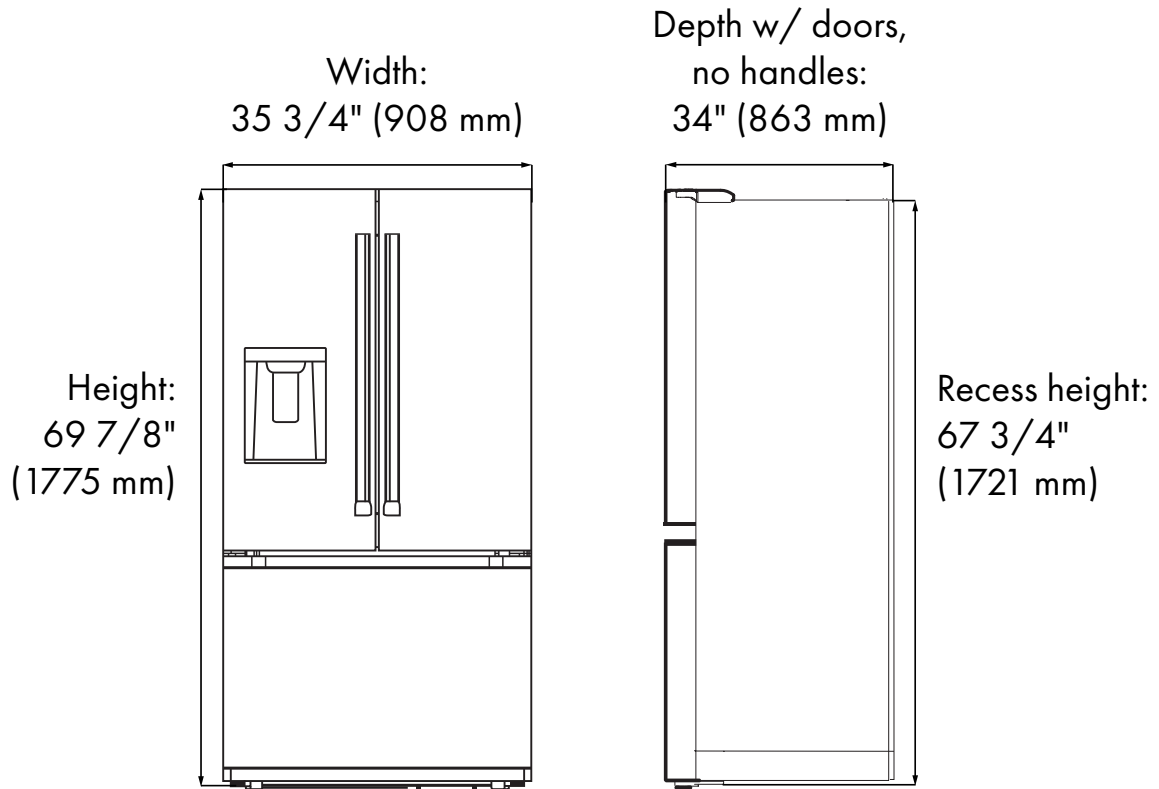
- If the product has been transported horizontally, you must wait a minimum of 4 hours after standing it upright before plugging it in.
- Leave enough space to be able to fully open the doors.
- Before preparing the product for use, remove all packing materials, including bottom cushions, foam pads, and tape from inside of the refrigerator. Also, tear off the protective film on the doors and the refrigerator body.
- Keep away from heat and avoid direct sunlight. Do not place the appliance in humid or water-prone areas to prevent rust or reduction of the unit's insulating effect.
- Do not spray the refrigerator with liquids. Do not put the refrigerator in humid or moist places where it can be easily splashed with water, so as not to affect the electrical insulation properties of the refrigerator.
- The refrigerator should be placed in a well-ventilated indoor place, and the ground must be flat and sturdy to allow for premium operation (rotate the adjustable feet for leveling if the unit unstable — see more on "Leveling The Feet" on page 10).



Due to refrigerators weighing roughly 350 pounds (159 kg) — and nearly 375 pounds (170 kg) when fully packaged — at least two people must move units when unpacking and installing to avoid risk of personal injury.

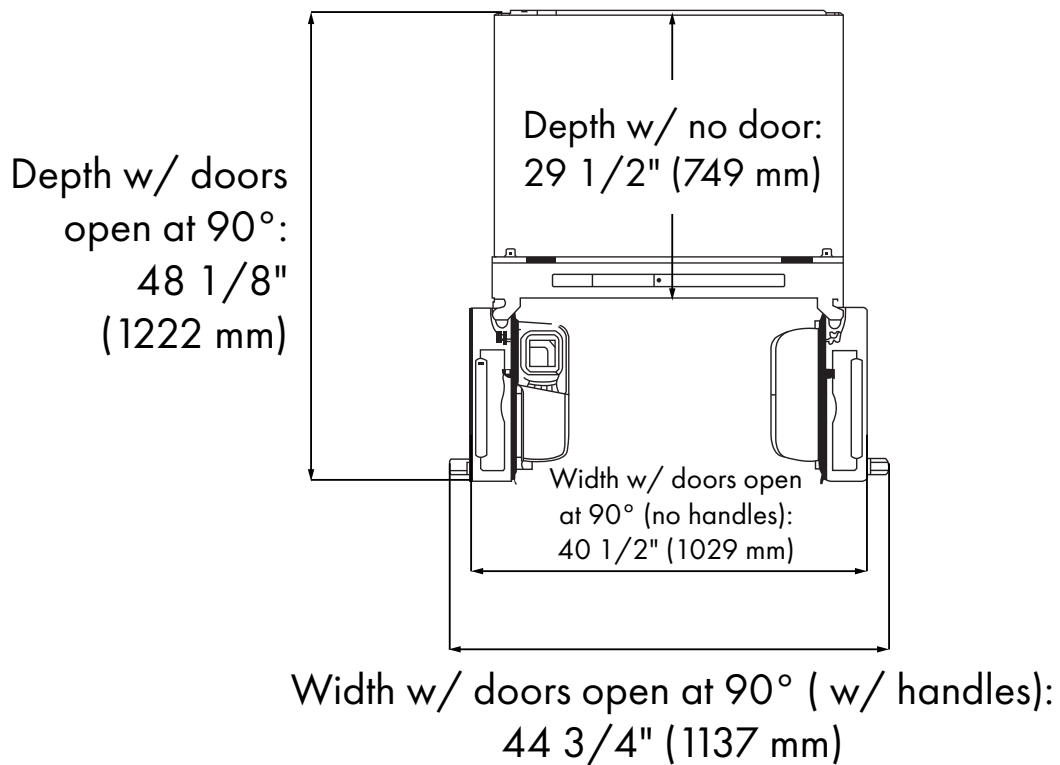
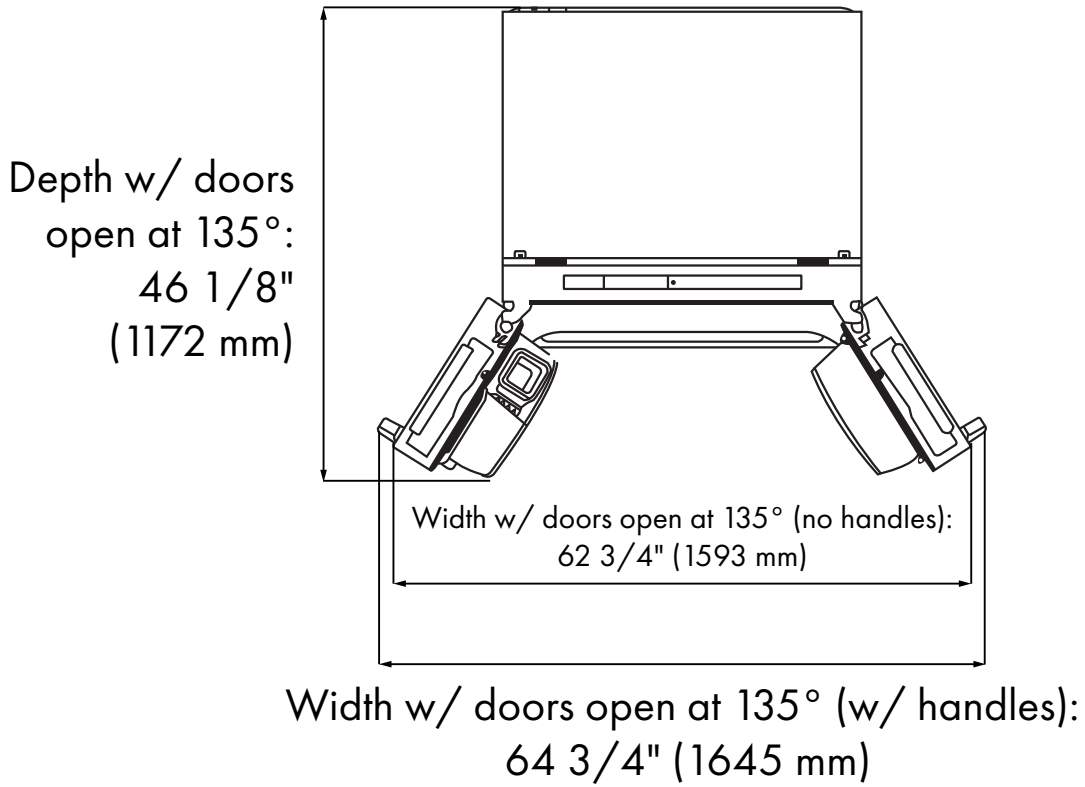
# BEFORE INSTALLATION

## PRODUCT DIMENSIONS



# BEFORE INSTALLATION

## PRODUCT DIMENSIONS

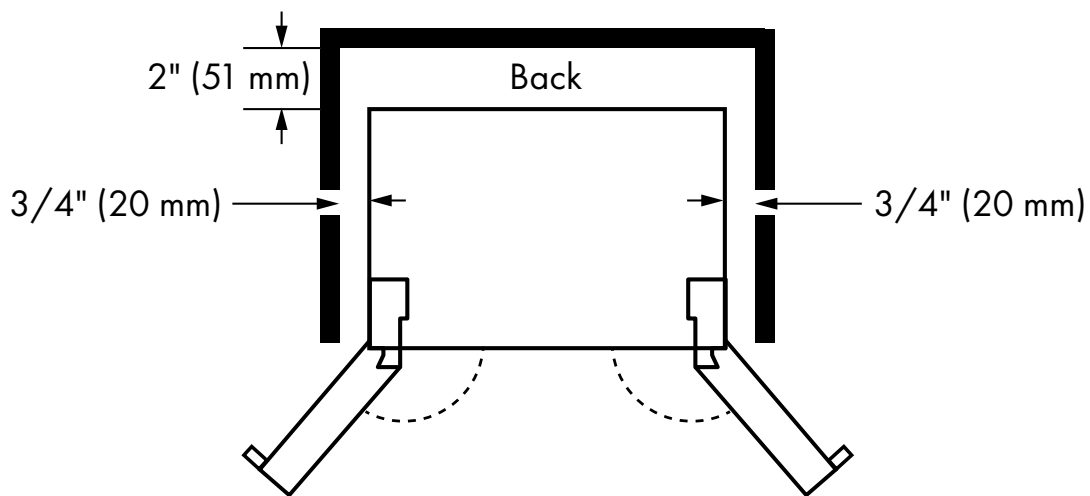


# BEFORE INSTALLATION

## CUTOUT DIMENSIONS AND CLEARANCES

When placing the refrigerator in a cabinet cutout, reference the following minimal clearance dimensions, which are recommended to facilitate proper ventilation:

- **2" (51 mm):** Gap between top of the refrigerator and cabinet above
- **2" (51 mm):** Gap between the refrigerator and back wall
- **3/4" (20 mm):** Gap between refrigerator sides and the cabinet



## RECOMMENDED CABINET CUTOUT DIMENSIONS

- **Width:** 37 1/4" (946 mm)
- **Depth:** Varies (see below)
- **Height:** 71 7/8" (1826 mm)

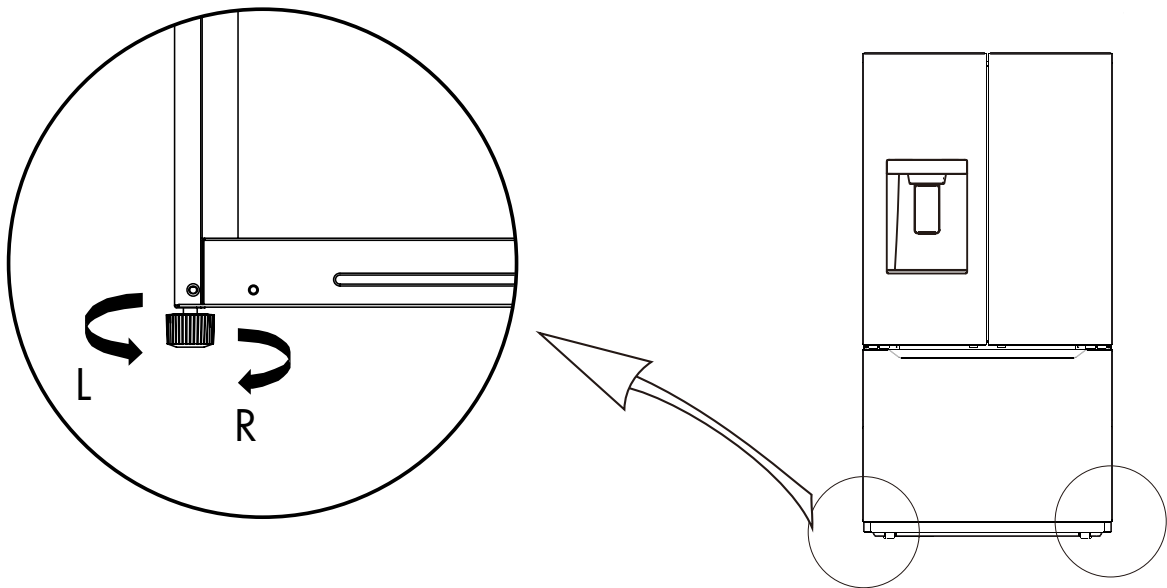
## DEPTH NOTES:

- As noted on page 7, the depth of the unit without the doors is 29 1/2" (749 mm). This means a cabinet depth could technically be as deep as 31 1/2" (800 mm) when adding the additional 2" (51 mm) rear gap, as this would still allow for the doors to extend beyond the cutout and be able to open freely up to 135°.
- Cabinets can be shorter; just note the unit will extend beyond the cabinet depth. Since kitchen layouts vary, ZLINE recommends consulting with a professional installer to verify cabinet dimensions and electrical connections before installing the appliance.

# BEFORE INSTALLATION

## LEVELING THE FEET

- Leveling screws can be turned easily by tipping the cabinet slightly to gain access.
- The front should be slightly higher than the rear to aid in door closing.
- Turn the feet clockwise to raise (R) the appliance.
- Turn the feet counterclockwise to lower (L) the appliance.
- Adjust the right and left feet accordingly to ensure the appliance is level.

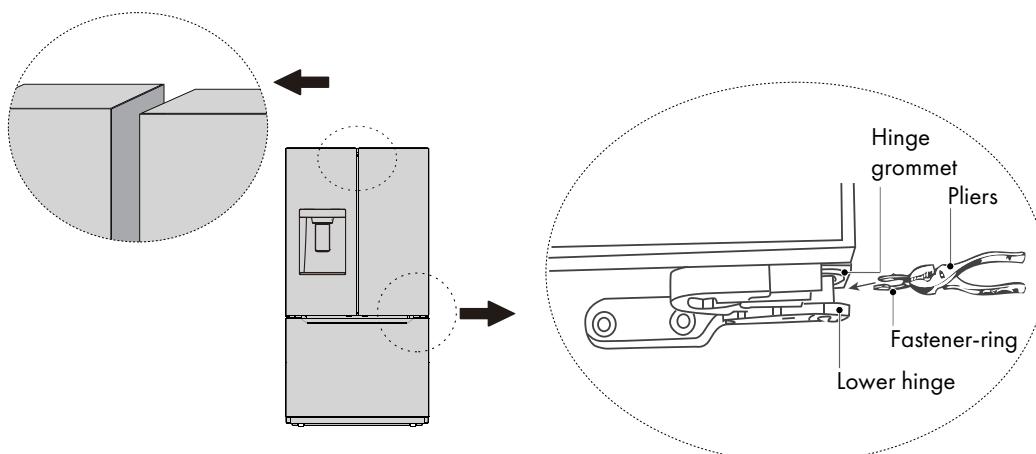


WARNING

Before adjusting feet or door height, take extra precautions to prevent any personal injury; at least two people are recommended when performing either task due to the weight of the appliance.

## LEVELING THE DOORS

1. Raise the lower door up to the level of the higher door.
2. Insert supplied fastener ring(s) by using pliers in the gap between the hinge grommet and lower hinge, as shown below. The number of rings to insert depends on the gap.



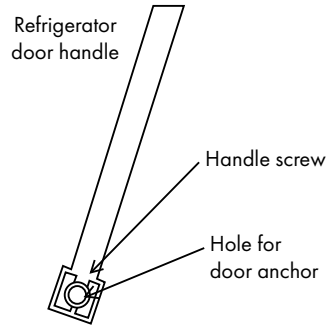
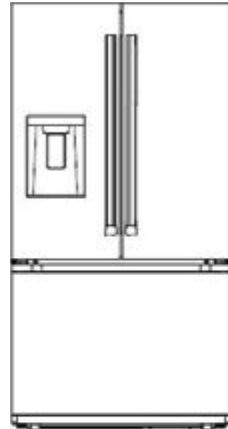


# INSTALLATION

## DOOR HANDLE INSTALLATION



Precautions should be taken to prevent handles from falling and causing personal injury.



1. Take the anchor bolts from the parts package supplied with this installation manual and fasten each into the bolt holes of the refrigerator and freezer doors with a Phillips-head screwdriver. See Figure 1.

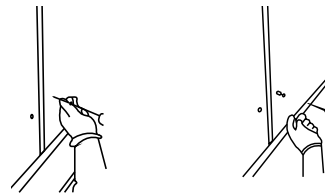


Figure 1

2. Place each handle on top of the secured bolts and make sure the handles contact the door surface closely. See Figure 2.

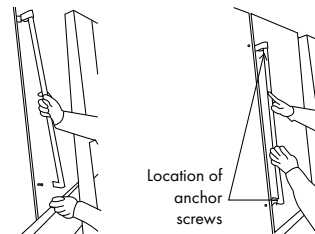


Figure 2

3. Using the provided Allen wrench/hex key, turn clockwise to secure the top and bottom handle screws to the door anchors. See Figure 3.

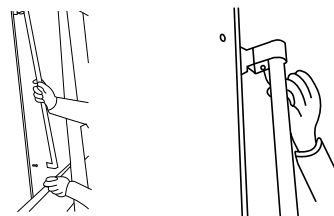


Figure 3

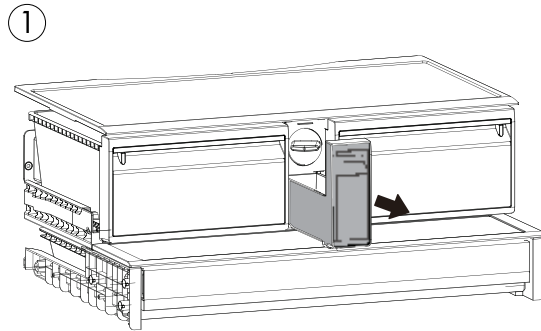
## REMOVAL/REPLACEMENT OF DOOR HANDLES

1. Using the provided Allen wrench/hex key, turn counter-clockwise to loosen the handle screws and pull handles outward.

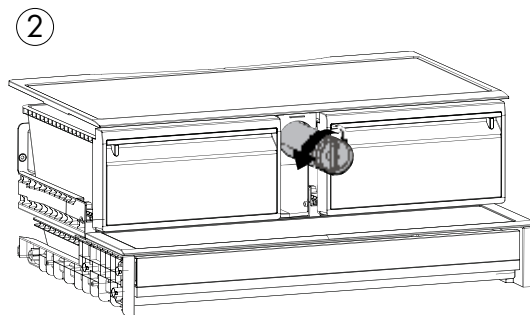
# INSTALLATION

## WATER FILTER REPLACEMENT / INSTALLATION

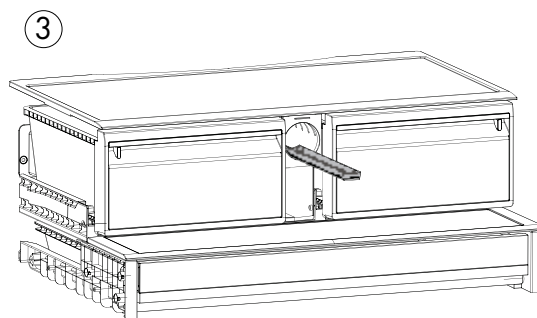
1. By hand, pull out the small drawer in the middle of the unit, as shown below.



2. Press the filter knob and rotate 90° counterclockwise; the filter will disengage from the connector and the filter can be removed, as shown below.



3. Some water will naturally spill out of a removed filter. Check the water tray under the strainer, take it out by hand, and dump the overflow water.



4. To install a new filter, simply reverse the process above.

**NOTE:** To ensure the highest performance and water quality, replace the filter every 6 months. A water filter icon on the display screen will signify when the filter needs to be replaced. When installing a new filter, drain 2–3 gallons of water from the dispenser to rid it of any debris. Only use a ZLINE filter. Otherwise, issues may occur.

# INSTALLATION

## INSTALLING THE WATER LINE



Risk of electric shock and damage to the appliance. Disconnect the appliance from the electrical power source before performing any work on the water connection. Only a qualified technician may connect the appliance to the water supply in accordance with plumbing and local regulations.

### Connecting the water line to a drinkable (potable) water source:

- If your water line is NOT potable, add an external water filter.
- If you must repair or disassemble the water line, have a qualified technician cut off the plastic tubing to make sure you get a snug, leak-free connection.

### Connect the appliance to a drinking water line only:

- **Minimum pressure:** 40 psig (0.28 MPa)
- **Maximum pressure:** 100 psig (0.69 MPa)
- **Pressure over 100 psig (0.69 MPa):** Install a pressure limiter between the drinking water connection and hose set.

### Other water connection instructions:

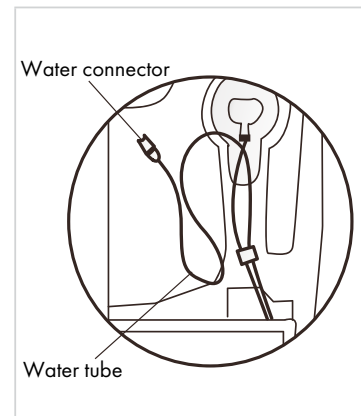
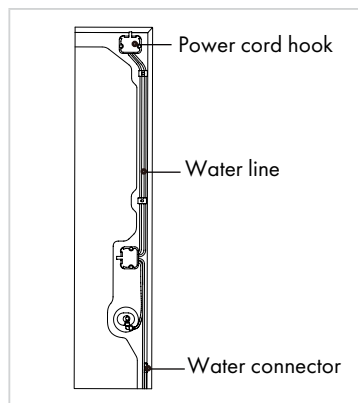
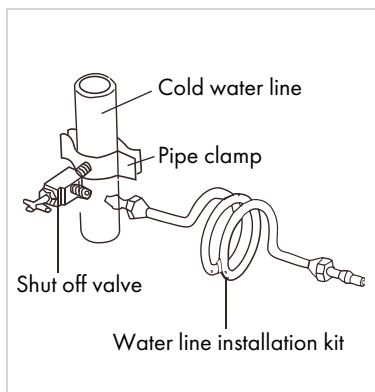
- A cold water connection is necessary for operating the ice maker. The water pressure must be between 40 and 100 psig (0.28 and 0.69 MPa). Installation must correspond to local plumbing regulations.
- A separate shut-off-valve should be installed in the cold-water inflow. The shut-off-valve should not be located behind the appliance. It is recommended a qualified technician mount the shut-off-valve directly next to the appliance or at another place that is easily accessible.
- When installing the water connection, pay attention to the permissible installation area for the water line.
- For connection to the drinking water line, use only water pipes that are suitable for drinking water. Observe national regulations and the connection conditions provide by local water supply companies.

# INSTALLATION

## INSTALLING THE WATER LINE

**NOTE:** A water line installation kit is required to complete water line installation. Kits are available at most local hardware stores.

1. Turn off the main water supply and attach the new 1/4" stainless steel braided line in the kit to the 1/4" connector to the main water shut-off valve located at the wall behind the refrigerator. Use pliers or a wrench to ensure the connection is snug.
2. Connect the other end of the braided line to the 1/4" to 1/4" brass compression connector that is provided in the water line kit. Take off the other end by unscrewing the brass connector.
3. Slide the female screw connection piece that was taken off of the brass connector and with the brass ring around the base of the plastic water line that extends from the back of and attaches to the refrigerator.
4. Then, take the plastic line, and with the female connection piece, securely tighten it to the brass connector piece. You'll need two wrenches to hold one side while you're turning the other to ensure the connection is snug.
5. Finally, turn on the water supply slowly to make sure there are no water leaks. Flush several gallons of water to clear the water supply line.



## FINAL STEPS

After the water line is properly installed, connect the power plug into an appropriately grounded, dedicated 3-prong outlet at the rear of the refrigerator. When preparing to move the refrigerator into the cutout, you can hang the power cord on the power cord hook provided on the back of the unit.

# WARRANTY

## COVERAGE

ZLINE Kitchen and Bath standard-depth refrigerators have a one year parts and service warranty and a five year parts warranty on the unit's sealed cooling system. This is from the original purchase date for the original purchaser of the product.

## TERMS

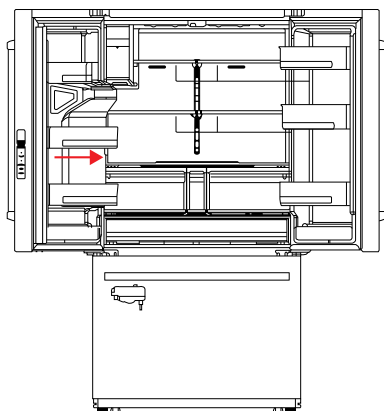
This warranty applies only to the original purchaser of the product installed for normal residential use. This is defined as a single-family, residential dwelling in a non-commercial setting. Commercial settings include but are not limited to: schools, churches, hotels, restaurants, vacation rentals such as Airbnb, day care centers, private clubs, fire stations, common areas in multi-family dwellings, nursing homes, food service locations, and institutional food service locations such as hospitals or correction facilities. This warranty is non-transferable and will not be extended based on the date of installation. The warranty applies only to products installed in the contiguous United States and the District of Columbia. Warranty shall not apply and ZLINE Kitchen and Bath is not responsible for damage resulting from negligence, improper maintenance, misuse, abuse, alteration of or tampering with the appliance, accident, natural disaster, improper electric supply, unauthorized service or repair, improper installation, or installation not in accordance with the instructions contained in the manual or the local government codes.

## WHAT IS NOT COVERED

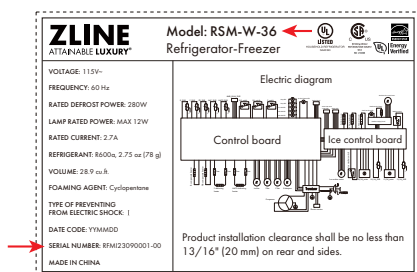
1. Start-up damages or problems caused by improper installation or use.
2. Damage related to unauthorized service or unauthorized parts.
3. Installation in any commercial or non-residential application.
4. Aesthetic damage, scratches, or natural wear caused by normal use.
5. Second-hand, open box products, or products purchased from an unauthorized retailer.

**NOTE:** In the event that service is dispatched, and it is discovered that the reported issue is not covered under warranty based on the disclaimers above, the customer will be responsible for all service fees. Failure to pay these fees will result in the forfeiture of remaining warranty coverage.

# WARRANTY



The rating tag shows the model and serial number of your refrigerator. The product label and rating tag is located inside the unit on the left-hand side, above the crisper drawer compartment. The tag is visible when the refrigerator door is open. Do not remove permanently affixed labels, warnings, or plates from the product. This will void the warranty.





# WARRANTY



## SERVICE

For warranty service, please contact our Customer Service team at 1-614-777-5004 or visit [www.zlinekitchen.com/contact](http://www.zlinekitchen.com/contact) to utilize our online Customer Experience Portal.



Need to purchase a part or accessory for your ZLINE product?  
Visit [www.zlineparts.com](http://www.zlineparts.com), ZLINE's official parts distribution partner.

1.1.0

1-614-777-5004

[www.zlinekitchen.com](http://www.zlinekitchen.com)

[contact@zlinekitchen.com](mailto:contact@zlinekitchen.com)

**ZLINE**  
ATTAINABLE LUXURY®