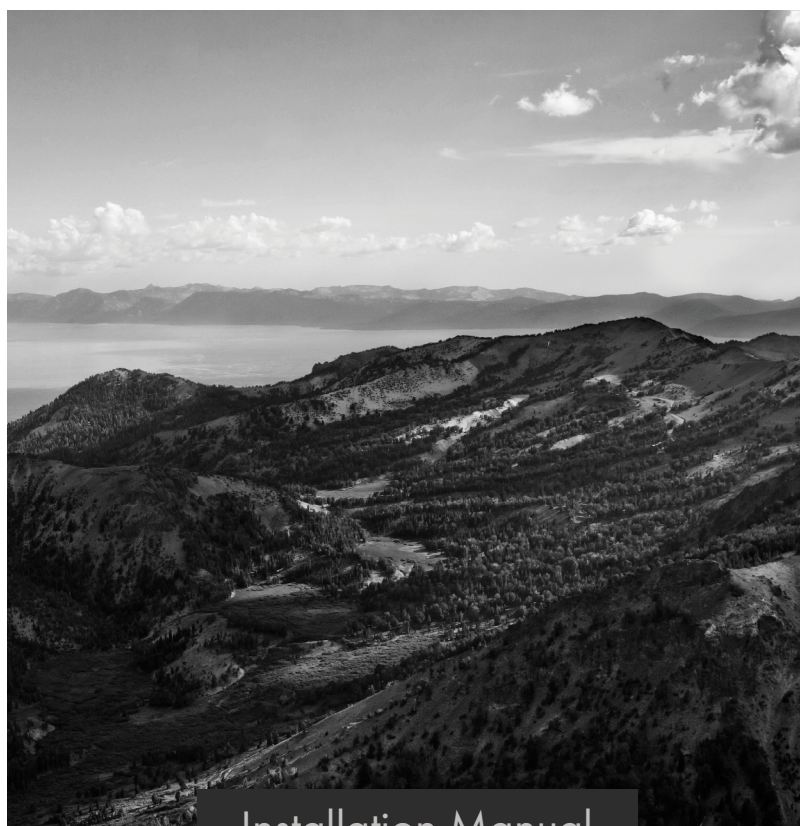


ZLINE

ATTAINABLE LUXURY[®]



Installation Manual


STAINLESS STEEL SINKS

www.zlinekitchen.com



ZLINE Kitchen and Bath provides Attainable Luxury, where the kitchen and bath of your dreams is never out of reach. Through our unique designs and unparalleled quality, we're dedicated to providing you an elevated experience in the heart of your home. With an endless selection of features and finishes, our inspiration is your reality.

ZLINE is fueled by a passion for innovation; A relentless pursuit of bringing the highest end luxury designs and professional features into everyone's homes. Because we continually strive to improve our products, we may change specifications and designs without prior notice.

 **WARNING:** This product can expose you to chemicals including nickel, which is known to the State of California to cause cancer. For more information, go to www.P65Warnings.ca.gov.



ZLINE
ATTAINABLE LUXURY®

WARRANTY

COVERAGE

ZLINE Kitchen and Bath sinks have a limited lifetime warranty from the original purchase date for the original purchaser of the product.

TERMS

This warranty applies only to the original purchaser of a faucet installed for normal residential use. This is defined as a single-family, residential dwelling in a non-commercial setting. Commercial settings include but are not limited to: schools, churches, hotels, restaurants, vacation rentals such as Airbnb, day care centers, private clubs, fire stations, common areas in multi-family dwellings, nursing homes, food service locations, and institutional food service locations such as hospitals or correction facilities. This warranty is non-transferable and will not be extended based on the date of installation. The warranty applies only to products installed in the continental United States and the District of Columbia.

Warranty shall not apply and ZLINE Kitchen and Bath is not responsible for damage resulting from negligence, improper maintenance, misuse, abuse, alteration of or tampering with the appliance, accident, natural disaster, improper installation, or installation not in accordance with the instructions contained in the manual, or the local codes.

WHAT IS NOT COVERED

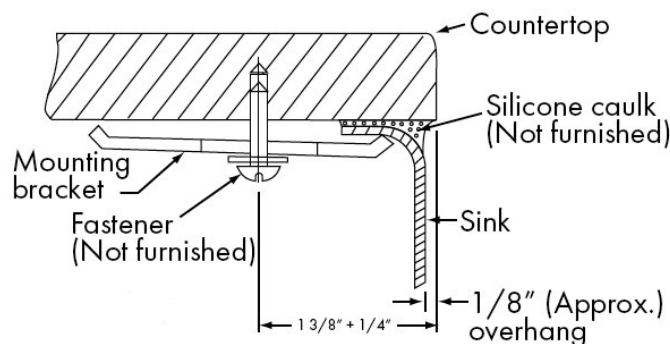
1. Installation or start-up, damages, or problems caused by improper installation or use.
2. Installation in any commercial or non-residential application.
3. Removal or re-installation cost.
4. Aesthetic damage, scratches, or natural wear caused by normal use.
5. Second-hand, open box products or products purchased from an unauthorized retailer.

TABLE OF CONTENTS

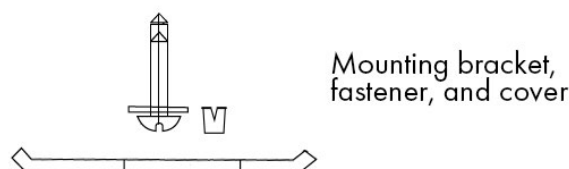
SAFETY INSTRUCTIONS	1
SINK INSTALLATION	2
Before Installation	
Top Mount Installation	
Undermount Installation	
MAINTENANCE AND CLEANING	6
Easy Cleaning	
Scratches	
Knives	
Water Quality	
Foods	
DOS AND DON'TS	7

SAFETY INSTRUCTIONS

- The installer and/or user must read, understand, and follow these instructions before installing the product. This product must be properly installed before it is used. If instructions are not followed, the manufacturer will not be held responsible for any problems or product malfunction. Failure to follow installation and/or operating instructions voids the warranty.
- We recommend that this product be installed by a certified plumber. In some states or provinces, it is a legal requirement for this type of product to be installed by a certified plumber, according to the plumbing and building codes effective in the region where the sink is used.
- Shut off the water valves before installing the sink or doing any maintenance.
- Open the sink packaging and verify that the sink is in perfect condition. Put the sink back in its packaging to protect it until time of installation.
- To replace a sink, ensure that the hole in the counter is adequate.
- The outermost measurement on the sink diagrams is the lip. The innermost measurement on the sink diagrams is the basin.
- If you have a sink with 1/8" overhang, the enclosed cutout template will create an overhang of approximately 1/8". It is recommended that you discuss this with your customer and agree that this finished appearance is the desired effect. ZLINE is not responsible for improper sink or countertop installations. Due to the aesthetic qualities of the converging bowl radii, the template furnished with each sink provides the only opening recommended for installation of undermount sinks. See illustration below.



1/8" COUNTERTOP OVERHANG



INSTALLATION

BEFORE INSTALLATION

Inspect the sink for any visible defects. Do not install the sink if defects are found.

Call customer service at 1-614-777-5004 for assistance.

Remove the drain by unscrewing the screw from the drain until it is completely separated from the sink.

TOP MOUNT INSTALLATION

1. Trace the Opening

- Locate the top mount template in the box.
- Carefully cut along the dotted lines. Keep the inside portion of the template. It contains important information concerning the care and maintenance for your sink.
- Place the template on the counter where you would like your sink to be installed. When installing the template, make sure that the tank will not interfere with cabinet doors or panels. Ensure that there is enough space for the water supply installation. Fix the template on the counter using masking tape. Trace the inside of the template meticulously with a pencil. Remove the template.

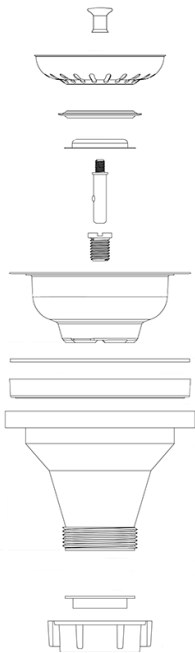
OR

- Turn the sink upside down and place it on top of the counter. Note the location of cabinet doors and panels to ensure that they will be compatible with the sink installation.
- Ensure that there is enough space for the water supply installation.
- Trace the outer edge of the sink with a pencil, then remove the sink.
- Measure 0.25" / 7mm from the initial sink measurement and trace another line on the inside of the drawing. This second line will be the cutting line.

2. Cut the Opening

- Using the drill, make a small starting hole of about 0.50" / 12mm on the inside of the cutting line. Drill a second time in this same hole with a larger bit so the jigsaw can be inserted properly.
- Put masking tape on the outer side of the cutting line. This will protect the counter from scratches and shattered fragments caused by the jigsaw.
- Using the jigsaw, trim the inside of the cutting line.
- Insert the sink and adjust the opening if required.

INSTALLATION



3. Drain Installation

- Insert the metal strainer into the rubber seal, and then into the draining hole.
- Install the rubber gasket and the main drain body underneath the sink.
- Using the screw, tighten the main drain body and the metal strainer into place.
- Install the basket on top of the metal strainer.
- Repeat the same procedure for the installation of the second draining hole (double and triple bowls only).

Note: plumber putty is not required for the installation of these drains.

4. Insert Sink

Verify that the sink fits perfectly. The lip of the sink should be resting on the countertop.

5. Insert Clips

Insert clips into the rails.

6. Fix the Clips

Fix the clips into place.

7. Seal with Silicone-based Sealant.

Seal with silicone-based sealant all around the sink.

8. Pipe Installation

Install the faucet following the manufacturer's instructions.

NOTE: Excess sealant must be removed promptly with a suitable clean-up solvent recommended for use on both the counter and sink to ensure damage does not occur.

INSTALLATION

UNDERMOUNT INSTALLATION

1. Trace the Opening

- Locate the undermount installation template in the box.
- Cut carefully along the dotted lines. Keep the inside portion of the template. It contains important information concerning the care and maintenance for your sink.
- Place the template on the counter where you would like your sink to be. When installing the template, make sure that the tank will not interfere with cabinet doors or panels. Ensure that there is enough space for the water supply installation.
- Fix the template on the counter using masking tape.
- Trace the inside of the template meticulously with a pencil.
- Remove the template.

2. Cut the Opening

- Using a drill, make a small starting hole of about 0.50" / 12mm inside of the cutting line.
- Drill a second time in this same hole with a larger bit so the jigsaw can be inserted properly.
- Put masking tape on the outer side of the cutting line. This will protect the counter from scratches and shattered fragments caused by the jigsaw.
- Using the jigsaw, trim the inside of the cutting line.

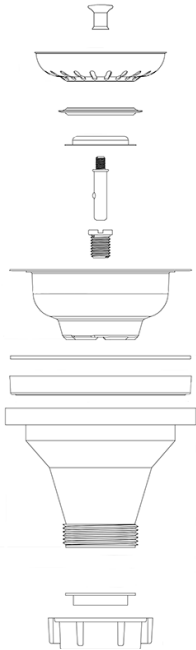
3. Pre-Drill for the Mounting Brackets

- Drill into the bottom of the countertop to create holes for the mounting brackets.
- Use the appropriate drill bit for the material of the countertop.
- Use epoxy to adhere the plastic cover to the hole. This will help hold the weight of the sink.

4. Build a Support Frame

- Build a support frame to hold the sink.
- Make sure there is enough space for the rails on the support frame.

INSTALLATION



5. Drain Installation

- Insert the metal strainer into the rubber seal, and then into the draining hole.
- Install the rubber gasket and the main drain body underneath the sink.
- Using the screw, tighten the main drain body and the metal strainer into place.
- Install the basket on top of the metal strainer.
- Repeat the same procedure for the installation of the second draining hole (double and triple bowls only).

Note: plumber putty is not required for the installation of these drains.

6. Insert the Sink

Insert the sink on the support frame. Apply silicone-based sealant to each corner between the frame and the sink.

7. Seal with Silicone-based Sealant

- Apply silicone-based sealant on the border of the sink and install the countertop. Remove excess sealant.
- Install the brackets
- The bracket should rest against the countertop and the lip of the sink.

8. Pipe Installation

Install the faucet following the manufacturer's instructions. Make proper water and waste pipe connections.

NOTE: Excess sealant must be removed promptly with a suitable clean-up solvent recommended for use on both the counter and sink to ensure damage does not occur.

MAINTENANCE AND CLEANING

EASY CLEANING INSTRUCTIONS

Rinsing is the most important part of sink care. A stainless steel sink finish will retain its original bright appearance if the sink is rinsed thoroughly after each use. Running water from the spray head, if available to rinse for a few minutes after use would suffice. Typically, a rinse and towel drying after each use will take care of most everyday clean ups. Ideally, once a week, the sink should be scoured with a mildly abrasive cleaner, such as Comet. Rubbing back and forth in the direction of the polish or grain lines will not only remove stubborn stains and greasy film buildups, but will blend usage scratches into the satin finish of the sink. After scouring, rinse thoroughly and wipe dry.

SCRATCHES

Like most metals, your new stainless steel sink will scratch. These are merely usage scratches and over time will blend into the overall finish of your sink with proper cleaning.

KNIVES

Your sink is designed to serve as many things but not as a cutting board or chopping block. This type of use will lead to deep scratches in the sink finish and will dull your knives.

WATER QUALITY

The quality of your water can affect your sink's appearance. If your water has a high iron content, a brown surface stain can form on the sink giving the appearance of rust. Additionally, in areas with a high concentration of minerals, or with oversoftened water, a white film may develop on the sink. To combat these problems, we suggest that the sink be towel dried after use, and again, on a weekly basis, the sink should be cleaned using a recommended cleanser.

FOODS

Heavy salt concentration or foods containing high levels of salt should not be allowed to dry on the sink surface. Rinse your sink thoroughly after use.

MAINTENANCE AND CLEANING

DO rinse thoroughly after each use.

DO towel dry after each use to prevent mineral deposits from building up on the surface of the sink.

DO clean the sink once a week, being sure to rub in the direction of the satin finish grain lines.

DO use a bottom grid or rinsing basket to “protect” the finish. Bottom grids and rinsing baskets can remain in the sink and will not cause rusting or pitting.

DO NOT rub the sink across the satin finish lines. Scouring across the satin finish lines can damage the original sink finish.

DO NOT allow soap or other household cleansers to dry on the surface of the sink. Most brands contain chemical additives which will affect the original finish.

DO NOT use solutions of chlorine bleach and water in the sink. Chlorides, which are found in most soaps, detergents, bleaches, and cleansers, are very aggressive to stainless steel. If left on the sink too long they can cause surface pitting.

DO NOT use a steel wool pad to clean your sink. If a more abrasive product is needed, use a green Scotch Brite pad being sure to rub in the direction of the satin finish grain lines. Steel wool pads have a tendency to break apart and small particles of steel can become embedded in the surface of the sink. The steel particles will rust and will give the appearance that the sink itself is rusting.

DO NOT use rubber mats or dishpans in the sink. Leaving rubber mats or dishpans in the sink can lead to surface rust or possible pitting. However, if you insist on using mats or dishpans, please remove them after each use and rinse thoroughly.

DO NOT leave wet sponges, cloths, or cleaning pads on the sink. This can lead to surface rust.

NOTE: Following these recommendations for the care and cleaning of your ZLINE stainless steel sink will ensure that it will provide you with many years of service.



Need to purchase a part or accessory for your ZLINE product?
Visit [ZLINEparts.com](https://www.zlineparts.com), ZLINE's official parts distribution partner.

2.0.0

www.zlinekitchen.com

1-614-777-5004

contact@zlinekitchen.com

ZLINE
ATTAINABLE LUXURY®