



ASI224 Manual

Revision 1.4

Aug, 2021

All materials related to this publication are subject to change without notice and its copyright totally belongs to Suzhou ZWO CO.,LTD.

Table of Contents

ASI224 Manual	1
1. Instruction	3
2. Camera Models and Sensor Type	4
3. What's in the box?.....	5
4. Camera technical specifications.....	6
5. QE Graph & Read Noise.....	7
6. Getting to know your camera.....	9
6.1 External View.....	9
6.2 Power consumption:.....	9
6.3 Protect Window.....	9
6.4 Analog to Digital Converter (ADC).....	10
6.5 Binning.....	10
7. How to use your camera.....	11
8. Clean the camera and redry desiccant.....	12
9. Mechanical drawing.....	13
10. Servicing	13
11. Warranty	13

1. Instruction

Congratulations and thank you for buying one of our ASI Cameras! This manual will give you a brief introduction to your ASI camera. Please read it thoroughly. If you have any other questions, please feel free to contact us. info@zwoptical.com

ASI224 Cameras are designed for astronomical photography.
Its excellent performance and multifunctional usage will impress you a lot!

For software installation instructions and other technical information please refer to “Support” on our official website.

<https://astronomy-imaging-camera.com/>

2. Camera Models and Sensor Type

There are 2 types of ASI224 models:

Models	Mono or Color	Regulated TEC Cooling	Sensor
ASI224MC	Color	No	IMX224 / IMX225
ASI224MC-COOL (Discontinued)	Color	Yes	IMX224 / IMX225

3. What's in the box?

ASI224MC



Camera body



1.25" Cover



1.25" Nosepiece



ST4 Cable



Quick guide



USB3.0 Cable (2m)

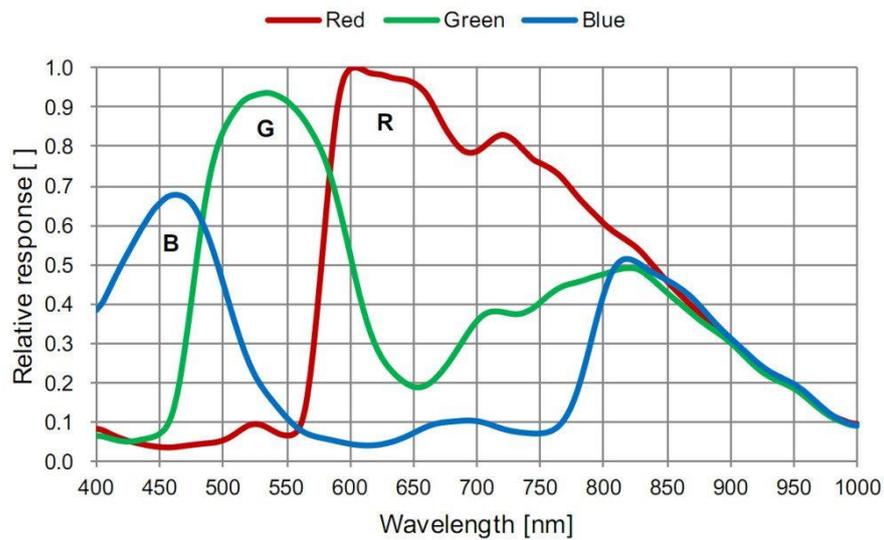
4. Camera technical specifications

Sensor	1/3" CMOS IMX224/IMX225
Diagonal	6.09mm
Resolution	1.2Mega Pixels 1304X976
Pixel Size	3.75 μ m
Image area	4.8mm*3.6mm
Max FPS at full resolution	150FPS
Shutter	Rolling shutter
Exposure Range	32 μ s-1000s
Read Noise	0.8~3.2e
QE peak	TBD
Full well	19.2k e
ADC	12 bit
Interface	USB3.0/USB2.0
Adapters	2" / 1.25" / M42X0.75
Protect window	AR window
Dimensions	62mm
Weight	100g
Back Focus Distance	12.5mm
Supported OS	Windows, Linux & Mac OSX
Working Temperature	-5°C—45°C
Storage Temperature	-20°C—60°C
Working Relative Humidity	20%—80%
Storage Relative Humidity	20%—95%

5. QE Graph & Read Noise

QE and Read Noise are the most important parameters to measure the performance of a camera. Higher QE and lower Read Noise are needed to improve the SNR of an image.

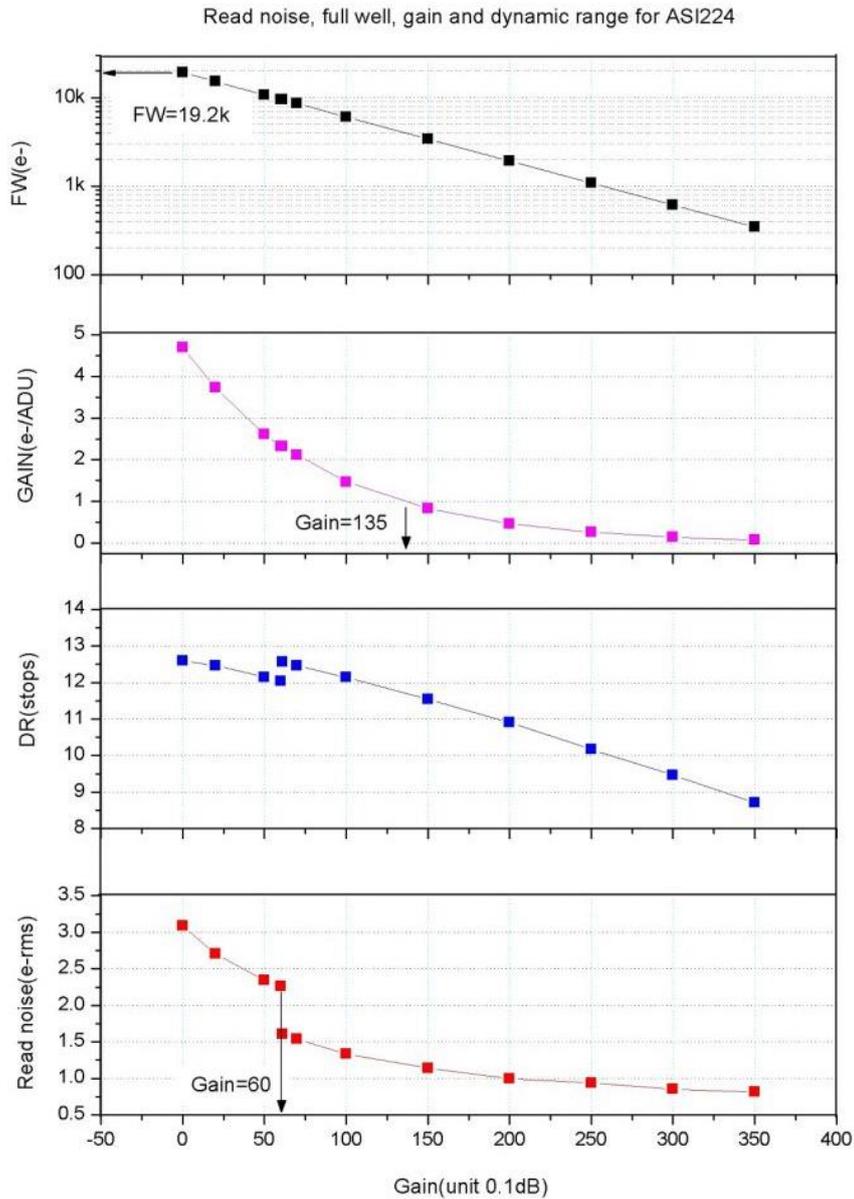
Color 224 sensor Relative QE Curve



Read Noise includes pixel diode noise, circuit noise and ADC quantization error noise, and the lower the better.

The Read Noise of the ASI224 cameras is extremely lower when compared with traditional CCD cameras. It is even lower when the camera is set at a higher gain.

Depending on your target, you can set the Gain lower for higher Dynamic Range (longer exposure) or set the Gain higher for lower noise (such as short exposure or lucky imaging).



6. Getting to know your camera

6.1 External View

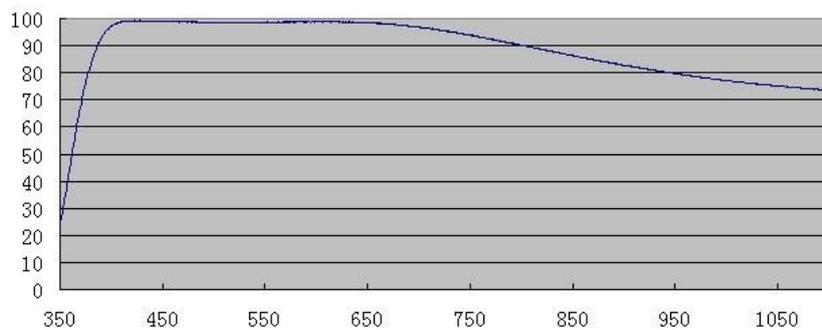


6.2 Power consumption:

ASI cameras are designed to have very low power consumption which is around 160ma@5V. You only need the USB cable to power up the camera.

6.3 Protect Window

There is a protect window before the sensor of ASI224 camera.
It's an AR-AR coated BK7 glass, diameter is 21mm, thickness is 1.1 mm.



6.4 Analog to Digital Converter (ADC)

The ASI224 camera records in 12bit ADC and 10bit ADC. You can image at a faster fps rate if you choose to use 10bit ADC (high speed mode). This camera also supports ROI (region of interest) shooting, and this smaller ROI has faster fps.

Here is the maximum speed of ASI224 running at 10bit ADC and 12bit ADC.

Resolution	USB3.0	
	12Bit ADC	10Bit ADC
1304×976	64 fps	150 fps
1280×960	65 fps	152.4 fps
800×600	102.9 fps	241.2 fps
640×480	127.6 fps	299.4 fps
320×240	256.4 fps	577.9 fps

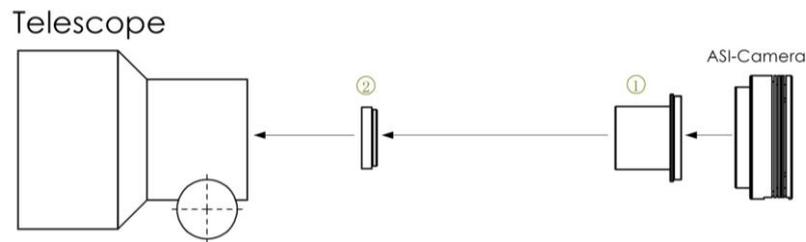
6.5 Binning

The ASI224 camera supports software bin2 mode. You should use 10bit ADC. We recommend customer to use software binning if you don't care speed.

7. How to use your camera

There are many adapters available for this camera for connecting to your scope or lens. Some are included with the camera and others you can order from our site:

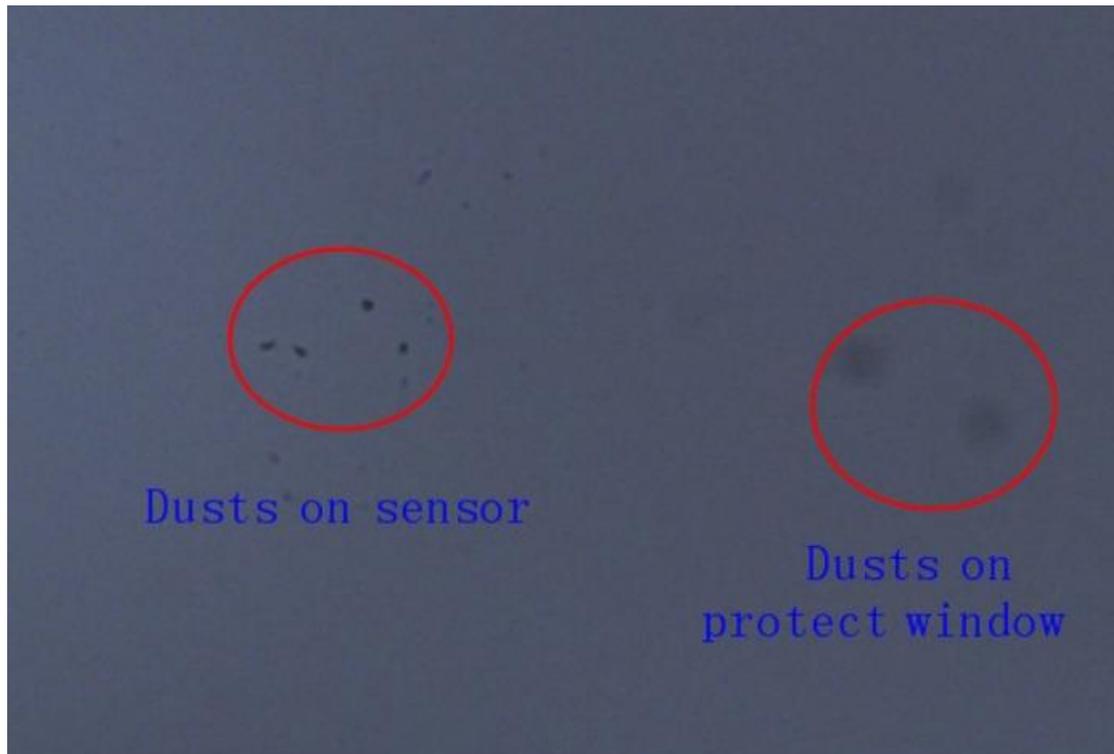
<https://astronomy-imaging-camera.com/>



1. 1.25" T-Mount
2. 1.25" filter(optional)

8. Clean the camera and redry desiccant

The camera comes with an AR protect window, which can protect the sensor from dust and humidity. Should you need to clean the sensor, it's better to do so during the daytime. To see the dust, you just need to setup your telescope and point it to a bright place. A Barlow is required to see these dusts clear. Then attach the camera and adjust the exposure to make sure not over exposed. You can see an image like below if it's dirty.



The big dim spot on the image (at right) are the shadows of dust on the protect window.

The very small but very dark spot in the image (at left) are the shadows of the dusts on the sensor.

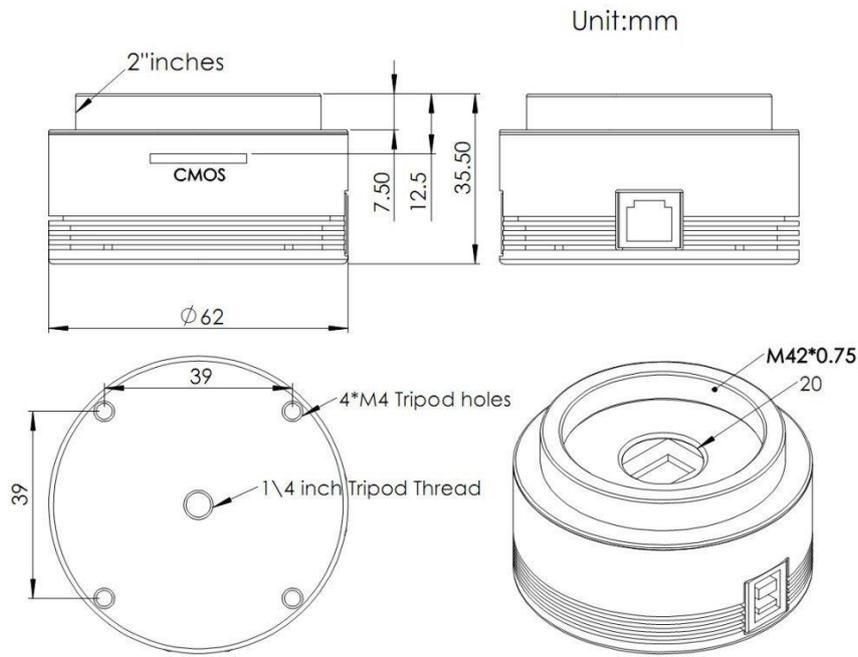
The suggested way to clean them is try to blow them away with a manual air pump. To clean the dust on the sensor you will need to open the camera chamber.

We have a very detailed instruction on our website:

https://astronomy-imaging-camera.com/manuals/How_to_clean_ASI_camera_and_redry_the_desiccant.pdf

9. Mechanical drawing

ASI224MC



10. Servicing

For software upgrades please refer to “Support-manual and software” on our official website.

<https://astronomy-imaging-camera.com/>

For repairs and consultation: <https://support.astronomy-imaging-camera.com/>

For customers who bought the camera from your local dealer, dealer is responsible for the customer service.

11. Warranty

We provide 2-year warranty for our products. We offer repair service or replacement for free if the camera doesn't work within warranty period.

After the warranty period, we continue to provide repair support and service on a charged basis.

This warranty does not apply to damage that occurred as a result of abuse or misuse, or caused by a fall or any other transportation failures after purchase.

Customer must pay for shipping when shipping the camera back for repair or replacement.