

Manufacturers: **Hefei Medris Medical Technology Co, Ltd.**

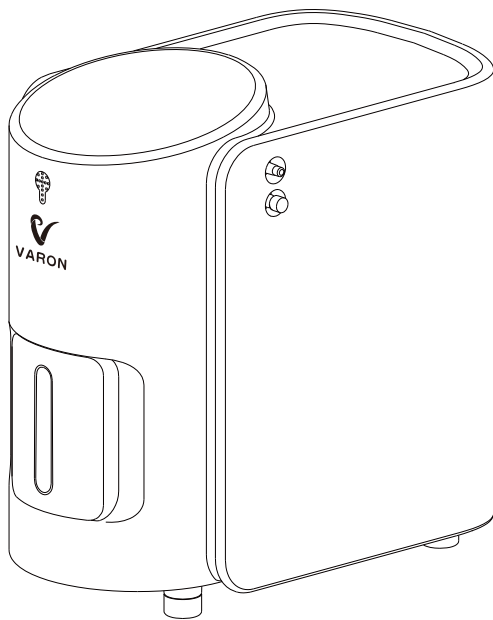


VARON

Made in China
Material code: 1.01.099-5
Edition:A/1



Recycle paper



*All pictures&color in kind prevail

JY-101/JY-101W Oxygen Concentrator

Operation Instruction

Please read and understand this manual carefully before using the product

Key Points

Special warning:

In order to prevent power failure or oxygen concentrator failure, persons in urgent need of oxygen and Critically Ill Patient shall be provided with other forms of oxygen supply.

I. Before Installation

- Keep Oxygen concentrator upright! Inclined angle should not > 5 degree
- If power supply voltage is not stable, please use voltage regulator (2000W)! (Unstable power supply voltage normally occurs in the countryside)
- Please select safe and qualified socket and terminal block! (1100W better)
- Unprofessional person must not open the case!

II.Placement

- Oxygen concentrator shall be placed in a well-ventilated place and avoid direct sunshine, at least 10cm away from the wall and other objects.
- Oxygen concentrator shall be not placed in the following environment: near heat source, open fire and potential fire, wet, no shelter, temperature too high ($\geq 55^{\circ}\text{C}$), too low ($\leq -20^{\circ}\text{C}$).
- Never put any heavy object, sundries or container with water or oil on the oxygen concentrator.
- Never put sundries at the bottom of Oxygen concentrator to avoid inlet and outlet from being blocked, the high temperature may cause shutdown or low oxygen concentration.

III. In use

- Oxygen is inflammable, No smoking and far away from open fire and potential fire to avoid fire accident.
- Do not restart oxygen concentrator frequently. If it is necessary to restart the machine, restart it at least 30 seconds after the shutdown.
- Do not apply oil or grease on any part of oxygen concentrator to avoid pollution or fire accident.

Product Characteristics

I. General

Principle of oxygen supply and characteristics

Principle of oxygen supply

Oxygen concentrator adopts international advanced technology PSA (Pressure Swing Adsorption) , use air as raw material, power on at ambient temperature, absorb nitrogen by molecular sieve based on different molecular diameters, so oxygen with 90% purity can be separated from air to use.

Structural features

- All plastic shell, safe and reliable.
- With time-consuming function: display the total working time through the display screen.
- Equipped with timed shutdown function.
- Equipped with remote control function: it can operate the machine remotely.
- The remote control is equipped with "call" button: one button call for help function. After pressing, the sound of "I need help" will be sent until pressing again.

Product Characteristics

III. Main Technical Data

- 1、 Power supply: AC220V \pm 10% / AC230V \pm 10% 50Hz
 AC110V \pm 10% 60Hz or 50Hz(in Japan)
- 2、 Output power: 150 W
- 3、 Oxygen concentration: 35%~90%(V/V)(adjustable by flow)
- 4、 oxygen flow: 1、 2、 3、 4、 5、 6、 7L/min
- 5、 Noise: \leq 48dB(A) (decibel meter non MAX state)
Measured at 1m from the geometric center point of the front face of the equipment under normal start-up conditions (no water added to the humidification bottle)
- 6、 Net weight: \approx 5.5kg
- 7、 Outline size: \approx 305mm(L) \times 180mm(W) \times 300mm(H)
- 8、 Safety system:
 - Current overload protection
 - High temperature of compressor, shutdown
- 9、 Electrical classification: II
- 10、 Operating mode: continuous
- 11、 Normal working environment
 - Ambient Temperature: 5 $^{\circ}$ C \sim 40 $^{\circ}$ C;
 - Relative humidity: \leq 80%;
 - Atmosphere pressure: 86kPa \sim 106kPa;

Note: When storage temperature is lower than 5 $^{\circ}$ C, the equipment shall be placed at normal operating temperature for 4 hours before using.

- 12、 Production date: see the product nameplate.
- 13、 The validity of period for the main machine is about three years.
- 14、 Please avoid violent collision and inversion during transportation.
The machine should be stored in a well-ventilated room without strong sunlight and corrosive gas.

Installation and Use

I. Unpacking for inspection

Before installation and operation, check whether the appearance is in good condition, and check whether the range and quantity of accessories are consistent with the appendix, If there is something missing, please contact the local representative or the manufacture.

II. Outline diagram and function introduction

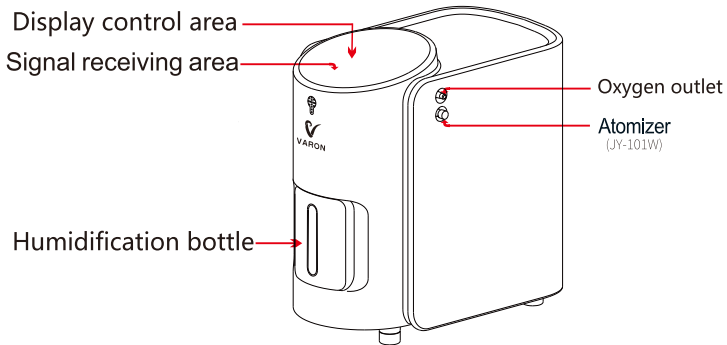


Figure 1: front side view of the whole machine

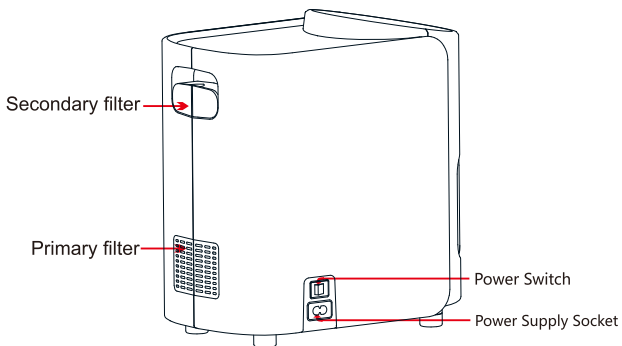


Figure 2: rear side view of the whole machine

Installation and Use

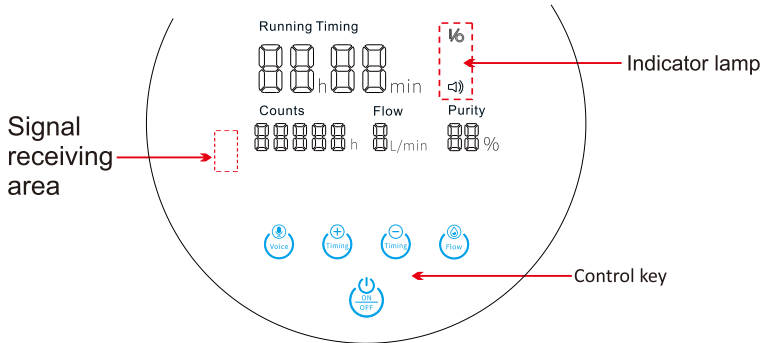


Figure 3: schematic diagram of display control area

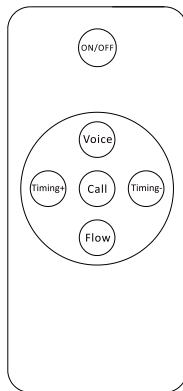
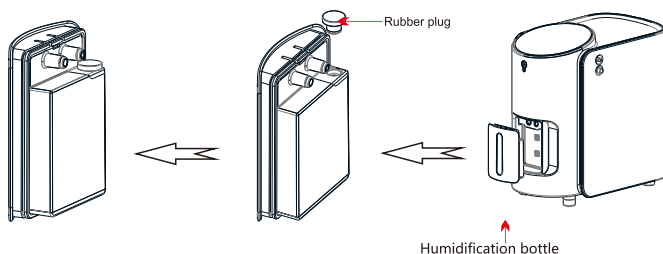


Figure 4: remote control

III. Preparation

Remove the cap of humidification water tank counterclockwise, fill pure water (or distilled water) according to specification, then tighten the cap clockwise and ensure no leakage.



Note: The machine can do regular oxygen concentration without water in the humidification water tank.

- Connect the power supply, connect one end of the power line to the outlet hole of the Oxygen concentrator, and the other end to the outlet with power output.
- Press the power switch to "I", then enter the standby state. Press the "switch" key, then enter the normal operation state. When the Oxygen concentrator is working, it makes a sound of "Chi ~" every few seconds, which is a normal breath sound.
- Adjust the oxygen output flow as required.

IV. Oxygen Intake Operation

- Turn flow meter knob counterclockwise, adjust oxygen output flow according to the requirements (the patient follows the doctor's advice to inhale the oxygen).
- Connect oxygen pipe nozzle to oxygen outlet of humidification water tank. Adjust nasal cannula, to make the inhalation comfortable, then allow to inhale oxygen.

Installation and Use

V. Timing Function Operation

The concentrator has timing function. The user can set the time within 5 hours.

- At the initial startup, the display screen displays "working time", indicating that the timing shutdown function is not set and is in continuous operation until the switch is pressed to shut down.
- Press the "timing +" key to change the "working time" to "timing". Press the "timing +" key once to increase the display number by 10 minutes. Press the "timing -" key to decrease the display number by 10 minutes. If the timing key is not pressed, the timing will be fixed and decrease with the running time.
- After the set time, the Oxygen concentrator will automatically shut down. At this time, the display screen displays "timing --: -- ", press the on key to restart.

VI. Voice operation

- Press the "voice" button in the control button area to turn voice on and off.

VII. Shut down

- If it is necessary to stop oxygen absorption temporarily during use, press the "switch" key on the control panel to stop and start oxygen supply.
- After use, first press the "switch" key to stop oxygen production, then turn off the power switch, then unplug the power plug and cut off the power supply of the network.









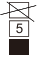
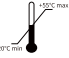
Installation and Use

VIII. Wireless Remote Control

When Oxygen concentrator is in normal operation or standby mode, start, shut down or adjust the Oxygen concentrator by means of wireless remote control.

Note: the remote control should be in front of the machine.

VIII. Symbols and meanings of safety requirements in this machine

Symbol	Signification	Symbol	Signification
	Alternating current		Consult the manual
	ON(power)		OFF(power)
	Keep up		Fragile
	Keep dry		Class II equipment
	Stacking Height		Temperature Limit

IX. How to use the oxygen absorber

➤ Introduction to oxygen absorber

Nasal cannula: can be hung on the ear, easy to operate, easy to use.

➤ Usage method

1. Before oxygen absorption, connect the connector end of the oxygen pipeline to the oxygen port, and the other end of the oxygen pipeline to the nasal oxygen pipe joint. Rotate the oxygen inhaler to an appropriate Angle and wear it as shown in figure 6

Installation and Use

2. Wearing method of nasal cannula (see Fig. 5 and 6)



Figure 5



Figure 6

3. Oxygen head cleaning: wipe with medical alcohol.

4. Cleaning: generally once a week, it can be cleaned with a lighter detergent, and then washed with clean water. The water in the bottle should be dried before use.

X. How to use the atomizer (JY-101W)

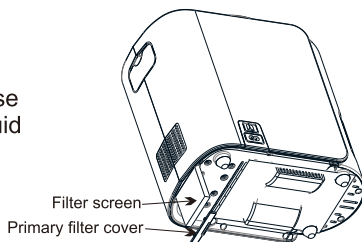
- Add the liquid medicine into the atomizing cup, insert the atomizing mouthpiece into the atomizing cup mouth; unscrew the atomizing mouth joint anticlockwise; connect the atomizing mouth and the atomizing cup with an air catheter, the atomizing cup begins to produce fog, the mouth contains the atomizing mouthpiece, and start the atomizing treatment with the mouth breathing.

Maintenance and Service

Warning: before maintenance of the Oxygen concentrator, first cut off the power supply. To avoid electric shock, do not disassemble the casing.

I. Clean the housing

Keep the housing clean: first power off, use wet and soft cloth immersed in sterilizing fluid to clean and prevent any liquid from going into the clearance of the housing.



II .Primary filter

Filter screen should be cleaned at least once a month depending on the use condition: First, Be sure to cut off the power, Take out the filter screen from the bottom of the machine on the side as shown in the figure, clean or replace it (if clean, it must be dried before use), and put it back as original.

图10.1

III .Secondary filter

The cleaning and replacement of the intake filter are very important to protect the compressor and molecular sieve and prolong the service life of the oxygen generator. Please replace it in time. Please clean or replace the filter and filter sponge after 300 .hours of use, or the filter and filter sponge becomes obviously black or dirty. The replacement method is as follows:

As shown in Fig. 10.2, remove the cover from the back, remove the filter, replace it, and remove the filter sponge, replace it or clean it, replace it put it back in place.

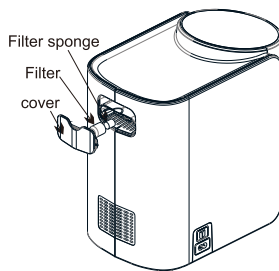


图10.2

The actual replacement time of the filter shall be determined according to the actual use time and environmental impact. If the filter element is blackened, it shall be replaced immediately regardless of the use time.

Maintenance and Service

III. Clean the humidification water tank

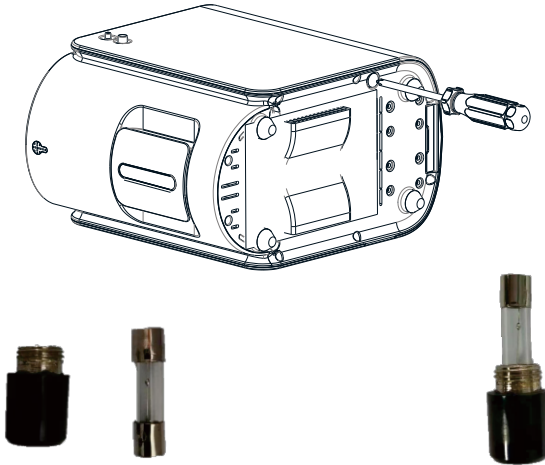
- Water in the humidification water tank shall be replaced every day.
- Clean the humidification water tank once a week, and wash it with clean water repeatedly to ensure oxygen sanitation. When cleaning the humidification water tank, pay attention to clean the rubber plug.
- Disassemble the humidification water tank

When washing, pay attention to core tube and aerator at the bottom to keep oxygen smooth.

V. Replace fuse

- When a fuse is suspected to have blown, the fuse can be taken out for inspection and replacement. **(Power must be cut off before operation)**
(Note: fuse model: 220/230V~:T1.6AL/110v~:T2.5AL, $\phi 5 \times 20$)

The fuse is located at the bottom of the machine (as shown in the picture), use a screwdriver to take out the fuse holder counterclockwise and replace the fuse.



Maintenance and Service

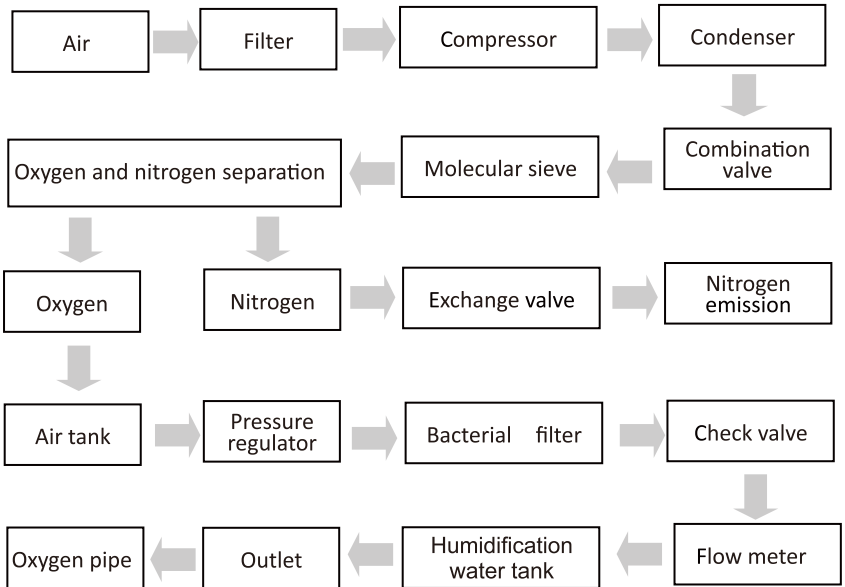
VI. Common troubleshooting guide

Fault phenomenon	Possible causes	Elimination method
The Oxygen concentrator has power supply, but the machine does not work and the display does not show	1) Fuse of power supply is broken	1) Replace fuse tube
	2) Insufficient power at power outlet	2) Do not use extension cords to move the concentrator to another power outlet or circuit
	3) If the concentrator is still not working, contact the equipment supplier or manufacturer	
The Oxygen concentrator works, but there is little or no air output at the oxygen inlet	1) Kinked or blocked oxygen pipeline	1) Straighten out the pipeline
	2) The rubber plug of the humidification bottle is not covered tightly or is missing	2) Retighten
	3) Blocked humidification water tank	3) Clean the humidification water tank
	4) Filter dirty	4) Replace filter
	5) Contact supplier or manufacturer if persistent	
The Oxygen concentrator has power supply, but the machine does not work, and the display shows "fault"	1) Compressor overheating protection, shutdown	1) Shut down and restart the machine after it cools down
	2) If this condition persists, stop using the machine and contact the equipment supplier or manufacturer immediately	

Note: if the failure of Oxygen concentrator cannot be eliminated, please contact the supplier or manufacturer

Other Notes

I. Air line principle:



II. Use electromagnetic environment guidance

In order to avoid the interference of the machine by the strong electromagnetic environment or other electrical products, please keep the machine at least 1m away from other household appliances in use

III. Non professionals are not allowed to disassemble the case of the Oxygen concentrator. If professional maintenance personnel need the electrical schematic diagram of the product, please contact the manufacturer or after-sales service point

IV. After-sale service

- If the Oxygen concentrator is used and kept in normal conditions, it can be repaired or replaced free of charge if there is any quality problem within half a year since it is sold. In half a year, if there is any fault, repair it free of charge. In one year, if there is any fault, the company provides parts for which have to be paid and repairs free of charge.
- Beyond guarantee scope: (1) Damages caused by human factors, including use under abnormal operating environment, damages caused by non-compliance with user's manual and improper storage. (2) The customer disassembles, maintains, refits at will or any unauthorized company repairs; (3) Damages caused by improper transportation after it is sold; (4) Loss caused by force majeure (flood, fire, lightning strike and earthquake).
- If necessary, circuit diagram and documents for maintenance. If there is any question about electric circuit troubleshooting, please contact the manufacturer.

V. Packing list

1、 Household oxygen concentrator	1
2、 Power line	1
3、 Nasal cannula	1
4、 Remote control	1
5、 Fuse	2
6、 Nebulizer kit(JY-101W)	1
7、 Filter screen	1
8、 Filter sponge	2
10、 Filter	2
11、 Instruction	1

VI. Disposal of waste and residue

The disposal of wastes and residues shall conform to the relevant national laws and regulations.