

JustRight LED

LED wraparound fixture is a simple yet effective solution for illuminating a wide variety of indoor settings from offices to workshops, garages and more. Suitable for retrofit and new installations. Simple to install and maintain.

General

Heavy gauge steel housing with high reflectance white enamel coating coupled with PMMA diffused lens making this fixture the right choice for most general indoor applications. User can select Wattage output at time of installation, thus reducing number of models required for a project. 120-347V universal power supply and adjustable color temperature are standard. Custom configurations are available. Contact us for details. Backed up by five (5) year extendable limited warranty.

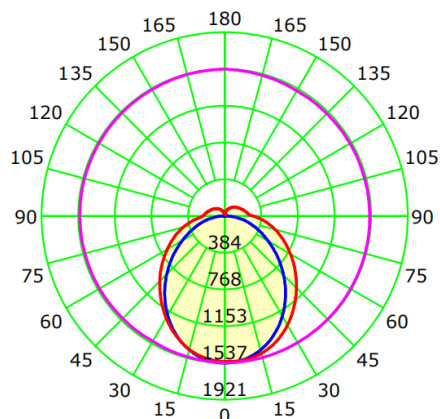
Key Features

- Surface or suspended mounting
- Heavy gauge steel housing
- High reflectance enamel coating
- PMMA frosted lens
- High CRI 82+
- Wiring knock outs on either end of fixture
- Class II/P driver, with 0-10V or Triac dimming as standard
- Fast and easy installation

Applications

- Storage Rooms / Offices
- Conference Rooms / Retail
- Parking Garages / Utility

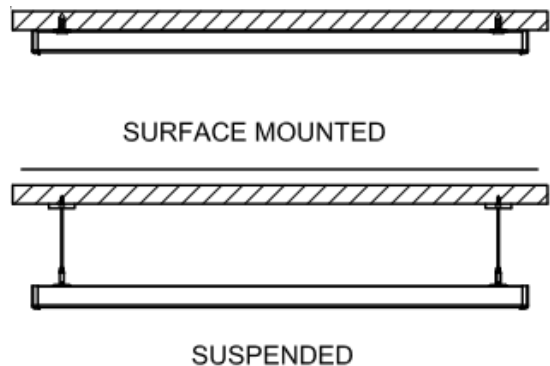
Light Distribution



- 120-347VAC universal power supply
- Wattage and Light Color (CCT) Adjustable
- 50,000+ Hours LED Life Expectancy
- Power factor: >0.92
- 5 Year Extendable Warranty
- Damp locations rated
- UL, cUL listed
- Ambient Temperature: -20 ~ 40 °C (-4°F to +104°F)

- Reception Areas / Hallways
- Education facilities
- Warehouses / Supermarket

Mounting

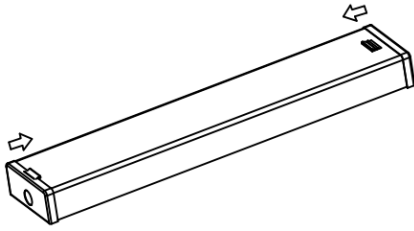


Scan QR Code to get more information about our Products, IES Files and Photometric Reports. All information is subject to change without notice. © are Registered Trademarks of their respective owners. ©2023 BDS Industrial Solutions Inc. All rights reserved. Rev. 05/23

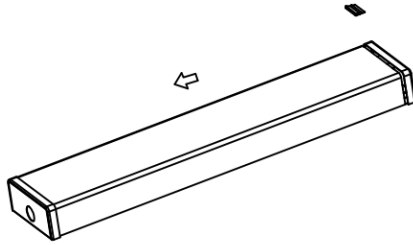
Wraparound Light

WRP

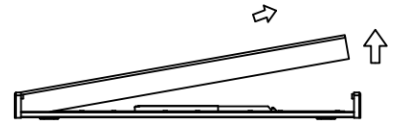
Easy Access



Remove Diffuser Clips

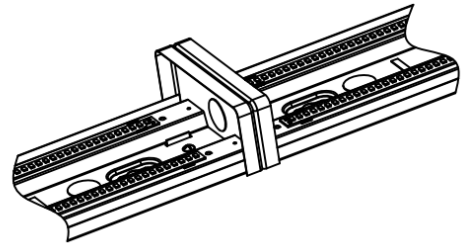
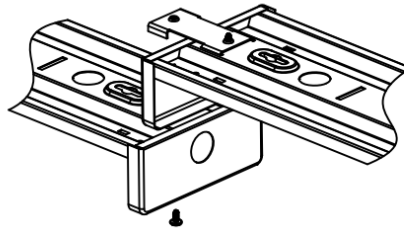
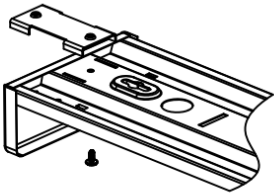


Slide diffuser to one side

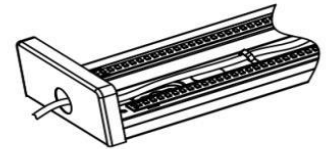
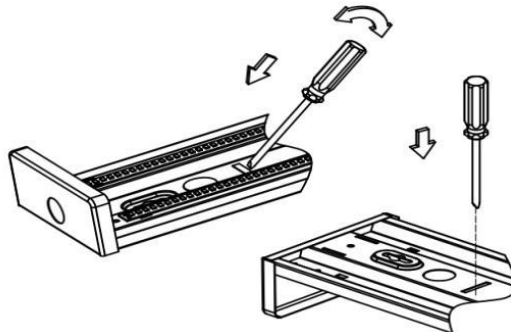
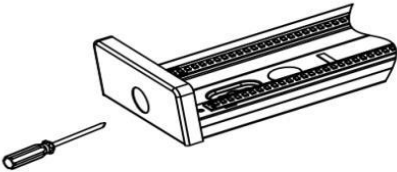


Remove Diffuser

Linking



Sensor Installation



Specifications

| Model | Wattage | CCT | CRI | Voltage | Efficacy | Lumens | Dimensions |
|-------------|-----------|------------|-----|----------|----------|---------|---------------------|
| WRP-2FT-25W | 25/20/15W | 3500-5000K | 80+ | 120-347V | 120lm/W | 3,000lm | 25.9" x 4.8" x 2.0" |
| WRP-4FT-40W | 40/30/20W | 3500-5000K | 80+ | 120-347V | 120lm/W | 4,800lm | 46.5" x 4.8" x 2.0" |

Ordering Information

sample order: WRP-4FT-40W

| WRP | MODEL | WATTAGE | VOLTAGE | LIGHT COLOR | LENS | ACCESSORIES |
|-----|---------------|--------------|------------|--------------|--------------|------------------------|
| - | 2FT (2' long) | 25W (for 2') | Blank | Blank | Blank | Blank (No Accessories) |
| - | 4FT (4' long) | 40W (for 4') | (120-347V) | (3500-5000K) | (Diffused) | MS (Motion Sensor) |
| - | | | * (Custom) | * (Custom) | CL (Clear) | EB (Emergency Backup) |
| - | | | | | XL (No Lens) | * (Custom) |

*Contact plant for custom modifications and accessories



Scan QR Code to get more information about our Products, IES Files and Photometric Reports.
All information is subject to change without notice. ® are Registered Trademarks of their respective owners.
©2023 BDS Industrial Solutions Inc. All rights reserved. Rev. 05/23

info@bdsindustrial.com | 604-435-1879 | www.bdsindustrial.com

