

JustRight LED

LED wallpack is a simple solution for general wall illuminating, security and general outdoor lighting. Simple to install and maintain.

General

Lightweight aluminum housing with 1/2" threaded accessories and wiring holes around the outer perimeter paired with Polycarbonate lens provide pleasant look and very effective lighting effect. User can select Wattage output and light color temperature at time of installation. 120-347V universal power supply is standard. Custom configurations are available. Contact us for details. Backed up by five (5) year extendable limited warranty.



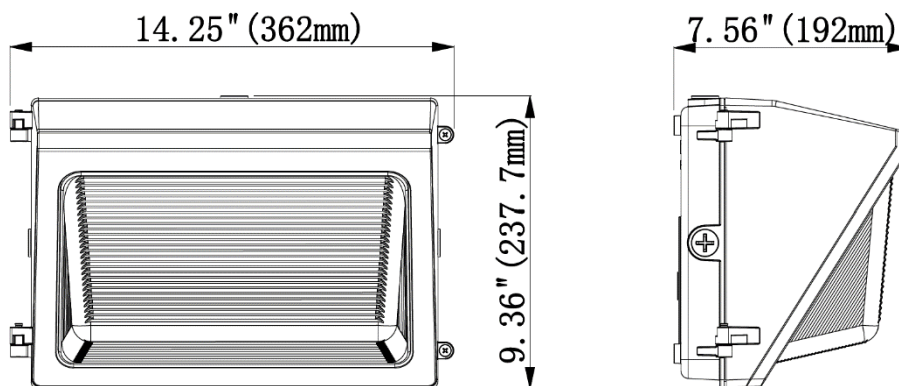
120-347V



Key Features

- Wall or JB mounting
- Aluminum alloy housing
- Marine grade coating
- Borosilicate Glass or Polycarbonate lens
- High CRI 80+
- Wiring and accessories 1/2" threaded holes
- Fast and easy installation
- IP65 ingress protection
- 120-347VAC universal power supply
- Wattage and Light Color (CCT) Adjustable
- 50,000+ Hours LED Life Expectancy
- Power factor: >0.95
- 5 Year Extendable Warranty
- Damp and Wet locations rated
- UL, cUL listed
- Ambient Temperature: -30 ~ 45 °C (-22F to +113°F)

Dimensions



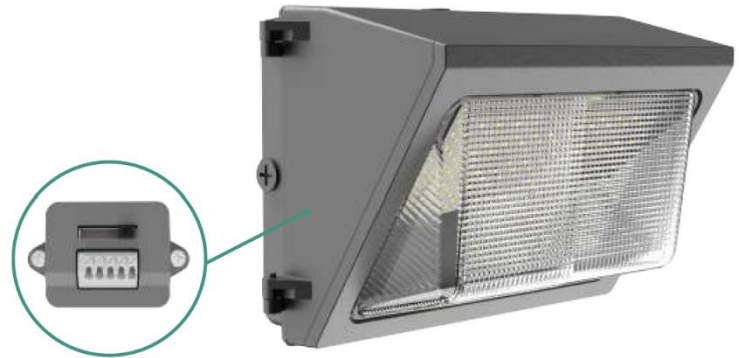
Weight: 7.9lbs (3.6kg)



Scan QR Code to get more information about our Products, IES Files and Photometric Reports. All information is subject to change without notice. ® are Registered Trademarks of their respective owners. ©2023 BDS Industrial Solutions Inc. All rights reserved. Rev. 05/23

Adjustability

Adjustable Wattage output and CCT light color



Accessories

Integrated Photocell



Screw-in Photocell



Specifications

Model	Wattage	CCT	CRI	Voltage	Efficacy	Lumens
WPK-120W	120/90/60/30W	3000/4000/5000K	80+	120-347V	125lm/W	15,000lm

Ordering Information

sample order: WPK-120W

WPK	WATTAGE	VOLTAGE	LIGHT COLOR	LENS	ACCESSORIES
-	120W (adjustable)	Blank (120-347V) * (Custom)	Blank (3500-5000K) * (Custom)	Blank (Polycarbonate) GL (Glass)	Blank (No Accessories) PC (Screw-in PC) IPC (Integrated PC) MS (Motion Sensor) EB (Emergency Backup)

*Contact plant for custom modifications and accessories



Scan QR Code to get more information about our Products, IES Files and Photometric Reports.
All information is subject to change without notice. ® are Registered Trademarks of their respective owners.
©2023 BDS Industrial Solutions Inc. All rights reserved. Rev. 05/23

info@bdsindustrial.com | 604-435-1879 | www.bdsindustrial.com