



**DESCRIPTIONS**

DL254 series "canless" Recessed Commercial Downlight is economical LED option with field-adjustable lumen output and color temperature. Available in 4", 6", 8", and 10" options. Offered with either 80 or 90 CRI, universal voltage.

Spring installation that can be installed directly in the ceiling without a housing. Perfect for new construction or retrofit of HID downlights of varying mounting heights.

**APPLICATIONS**

- Retrofit applications
- New construction applications
- Commercial buildings
- Hospitality
- Office
- Lobby

**Certification(pending)**

- ETL
- FCC
- Tittle 24



**FEATURES**

- 4"/6"/8"/10" full size to meet different needs.
- 5 Wattage Select and 5 CCT Select technologies offer SKU reduction.
- High light efficiency standard 100LPW and high output 120LPW for options.
- Designed with integral whip to connect directly to a junction box; Ideal for installation into existing CFL pin-based fixture infrastructure.
- Integral driver eliminates the need for a traditional multi-piece fixture setup.
- Ideal for new construction, remodel, and retrofit applications.
- Smooth reflector trim offers clean, modern appearance.
- Universal voltage AC120-277V, 0-10V dimming LED driver.
- Type IC rated.
- Wet Location.

- Front IP54
- Aluminum lamp body
- Deep reflector design
- Low glare



**Power Box**

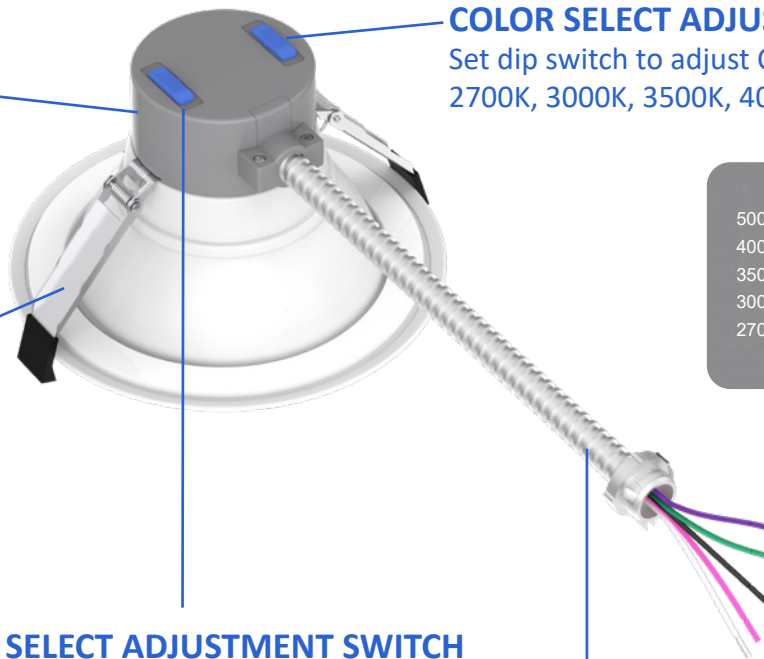
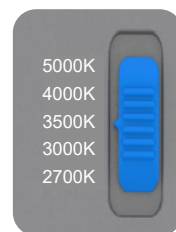
- PC material
- Internal flicker free driver
- 0-10V dimming

**COLOR SELECT ADJUSTMENT SWITCH**

Set dip switch to adjust CCT between 2700K, 3000K, 3500K, 4000K, and 5000K.

**Spring installation**

Can be installed in the ceiling directly without junction box or can.



**POWER SELECT ADJUSTMENT SWITCH**

Set dip switch to adjust wattage between 12W, 16W, 22W, 26W and 30W.



Flexible steel conduit with 1/2" KO (3/8" Trade Size) snap in connector.

## PERFORMANCE SUMMARY

Model	Size	Wattage	Efficacy	5 CCT	Voltage	DIM	CIR	Beam Angle
DL254-4-16W-A5C5	4"	6/8/10/12/16W Selectable	90-100lm/W	5CCT Selectable 27/30/35/40/50K	AC120-277V	0-10V	CRI>80 CRI>90	120°
DL254-6-30W-A5C5	6"	12/16/22/26/30W Selectable						
DL254-8-35W-A5C5	8"	16/22/26/30/35W Selectable						
DL254-10-40W-A5C5	10"	22/26/30/35/40W Selectable						
DL254-6-30W-A5C5-HO	6"	12/16/22/26/30W Selectable	110-120lm/W					
DL254-8-35W-A5C5-HO	8"	16/22/26/30/35W Selectable						
DL254-10-40W-A5C5-HO	10"	22/26/30/35/40W Selectable						

Remarks: All above efficiency are subject to CIR>80 @4000K, CIR>90 is less 10-15%, please check IES files for accurate data.

## PERFORMANCE

- LED Type: SMD2835
- THD: <20%
- Power Factor: ≥0.90
- Frequency: 50/60Hz
- IP Rating: IP54
- Life Time >50,000Hrs
- Dimming range: 10-100% (Dim to off)
- Operating Temp.: -20°C/-4°F to 40°C/104°F
- Warranty: 5 years

## CONSTRUCTION

- Lens: PC frosted
- Housing: Aluminum
- Finish: White (Standard); Black (Customized)

## MOUNTING

- Recessed
- Type IC rated

## ACCESSORIES



Goof Ring 4"



Goof Ring 6"



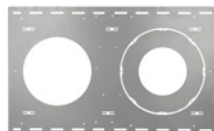
Goof Ring 8"



Goof Ring 10"



New Construction or Remodel Plate for T-grid Ceilings



New Construction Plate for Stud/Joist Ceilings



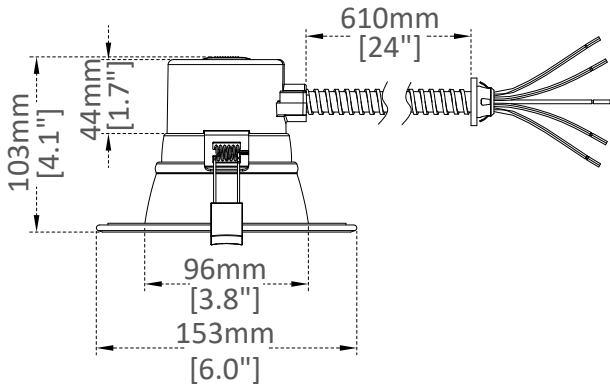
Safety Lanyard



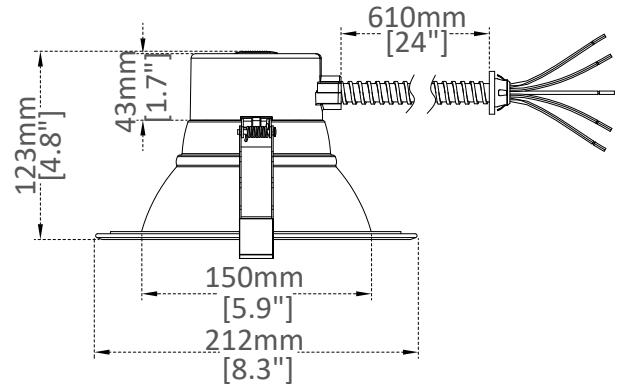
Emergency Battery Backup

**PRODUCT DIMENSION**

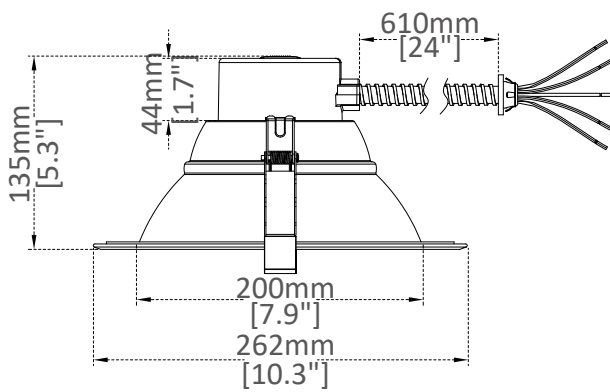
( unit: mm & inch )



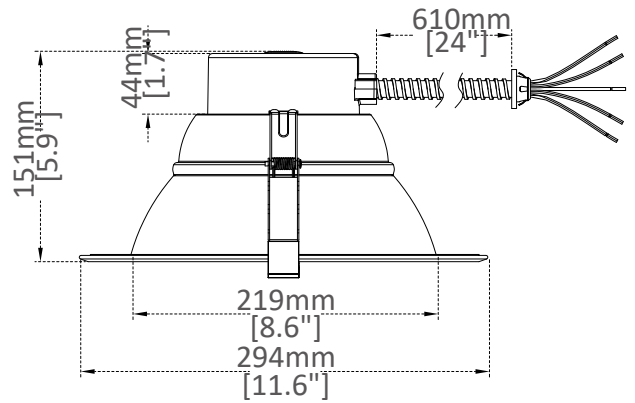
4"



6"



8"



10"

**PACKING INFO**

Size	Product Weight (kg)		Package Weight (kg)		Q'ty/BOX (PCS)	Q'ty/CTN (PCS)	Carton Size(mm)	20GP (PCS)	40HQ (PCS)
	N.W/PC	G.W/PC	N.W/CTN	G.W/CTN					
4"					1				
6" / 6" HO					1				
8" / 8" HO					1				
10" / 10" HO					1				