

WIZARDING
WORLD

Harry Potter



hidden forest forbidden



3D
PUZZLE

CONTACT THE MINISTRY
IF YOU HAVE

MAGICAL
FEATURE



73
PCS

8+

KNIGHT BUS | 3D Puzzle

The Knight Bus™

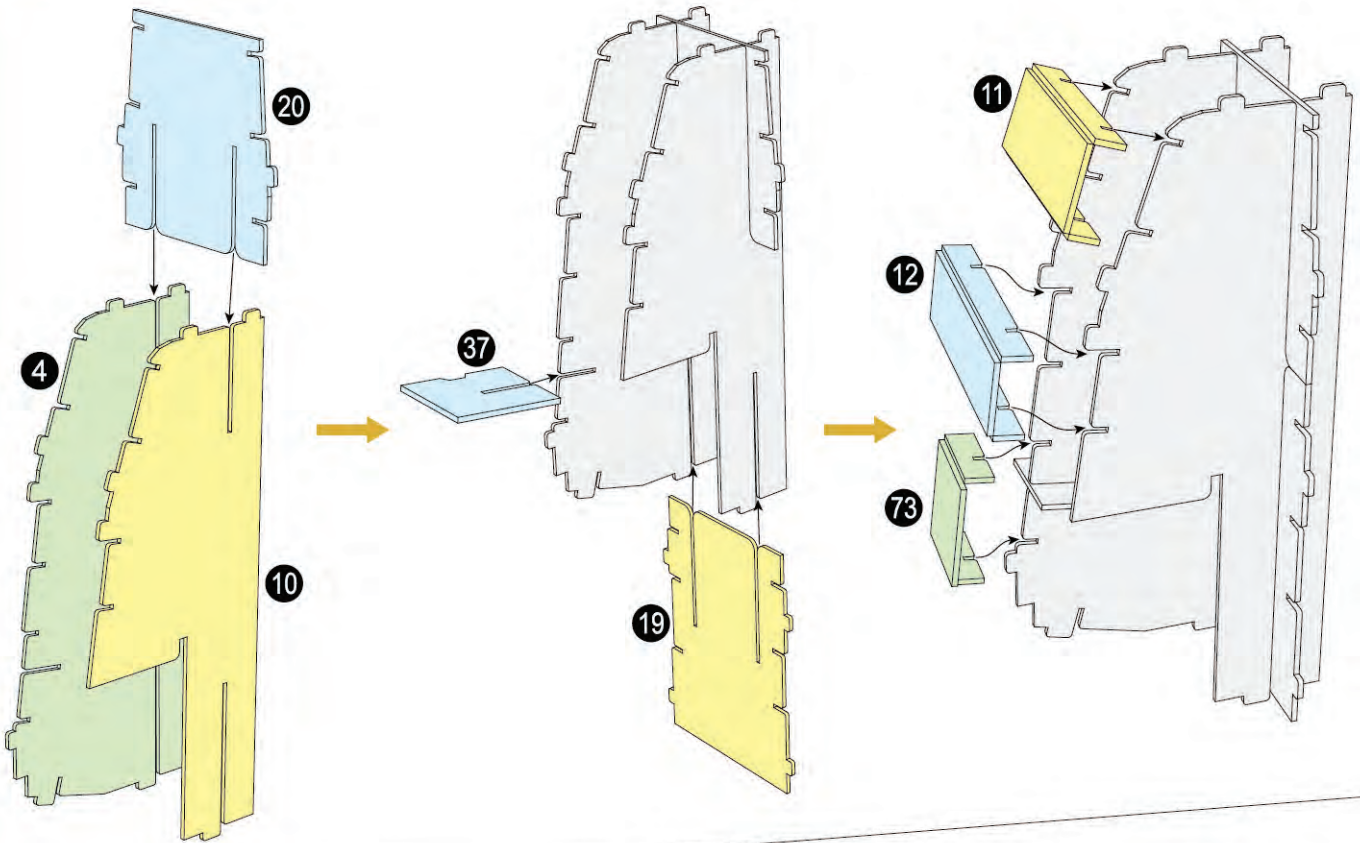


X 1

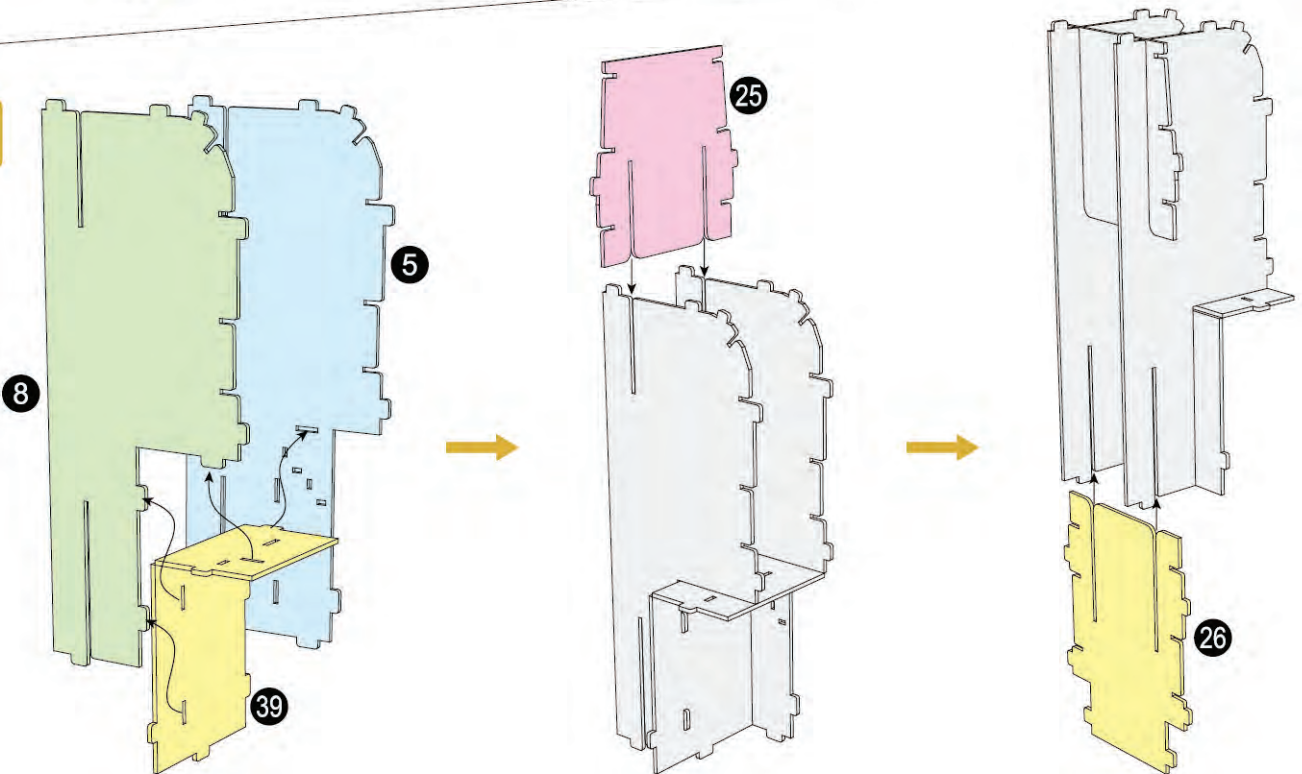
p 3/6



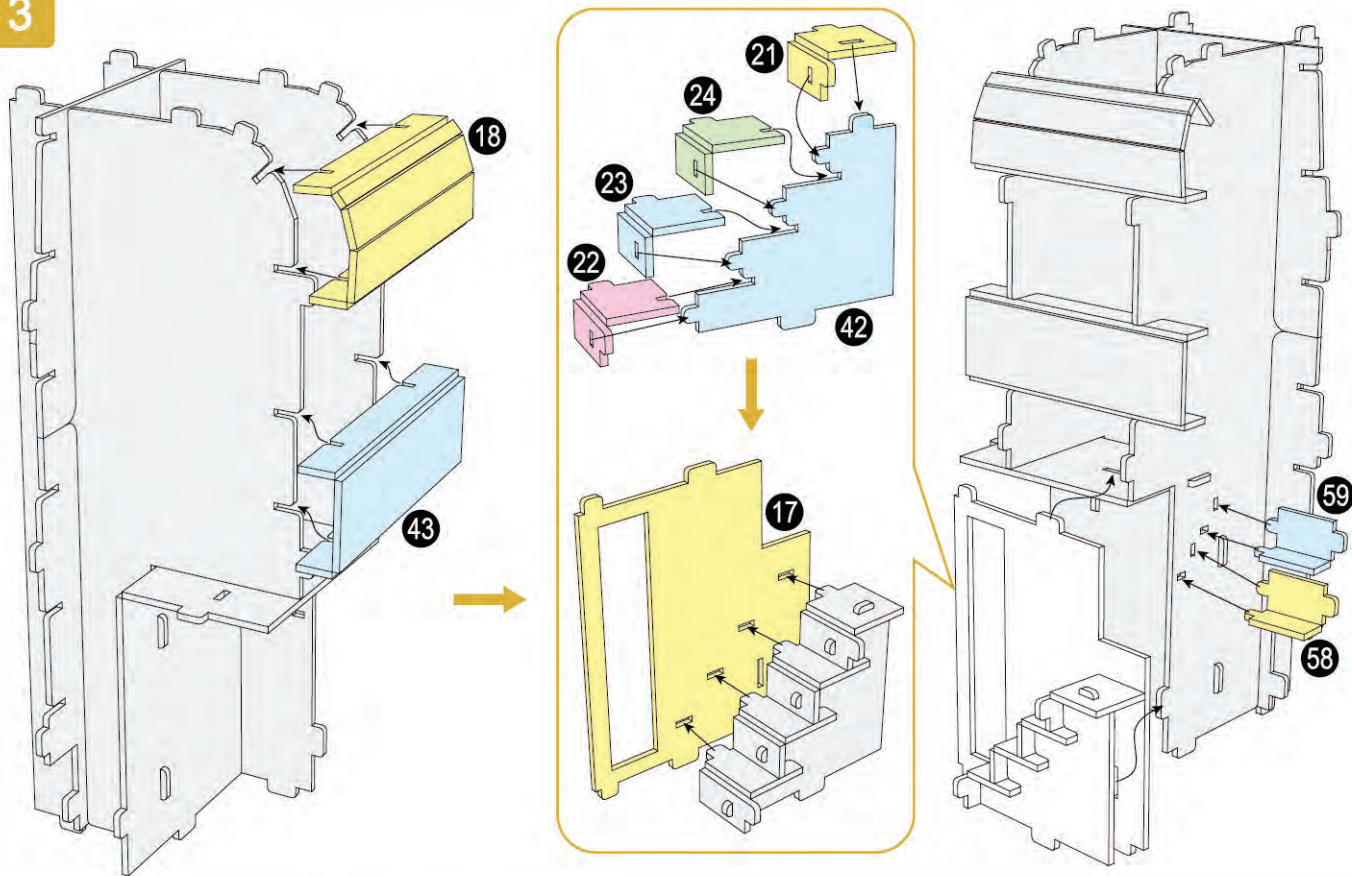
1



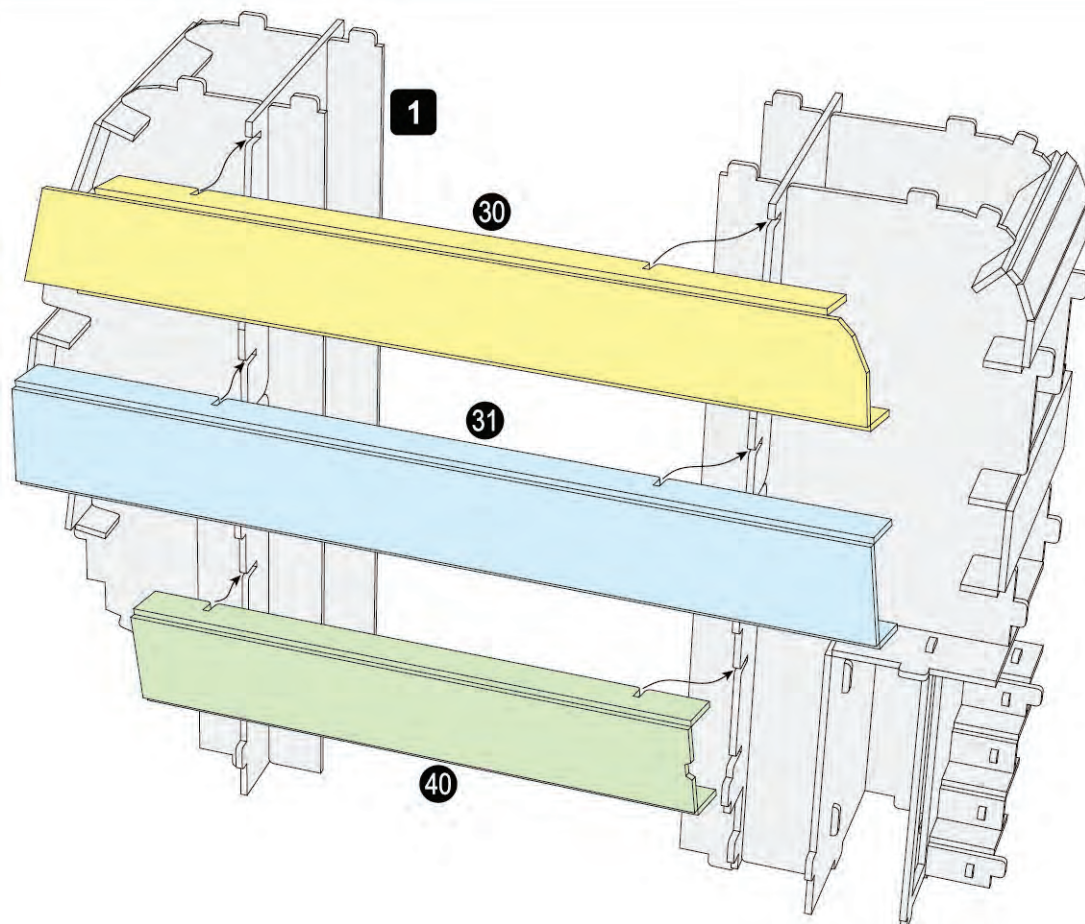
2



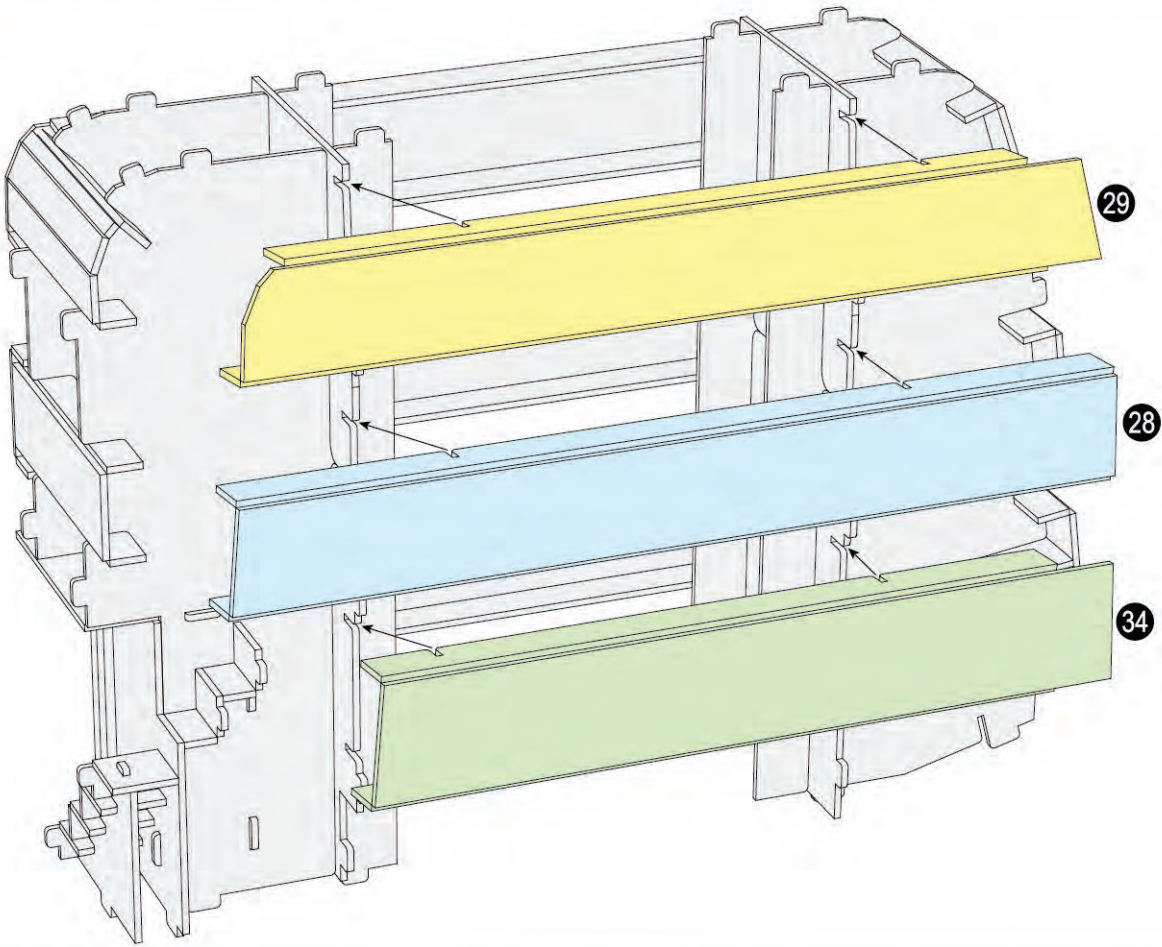
3



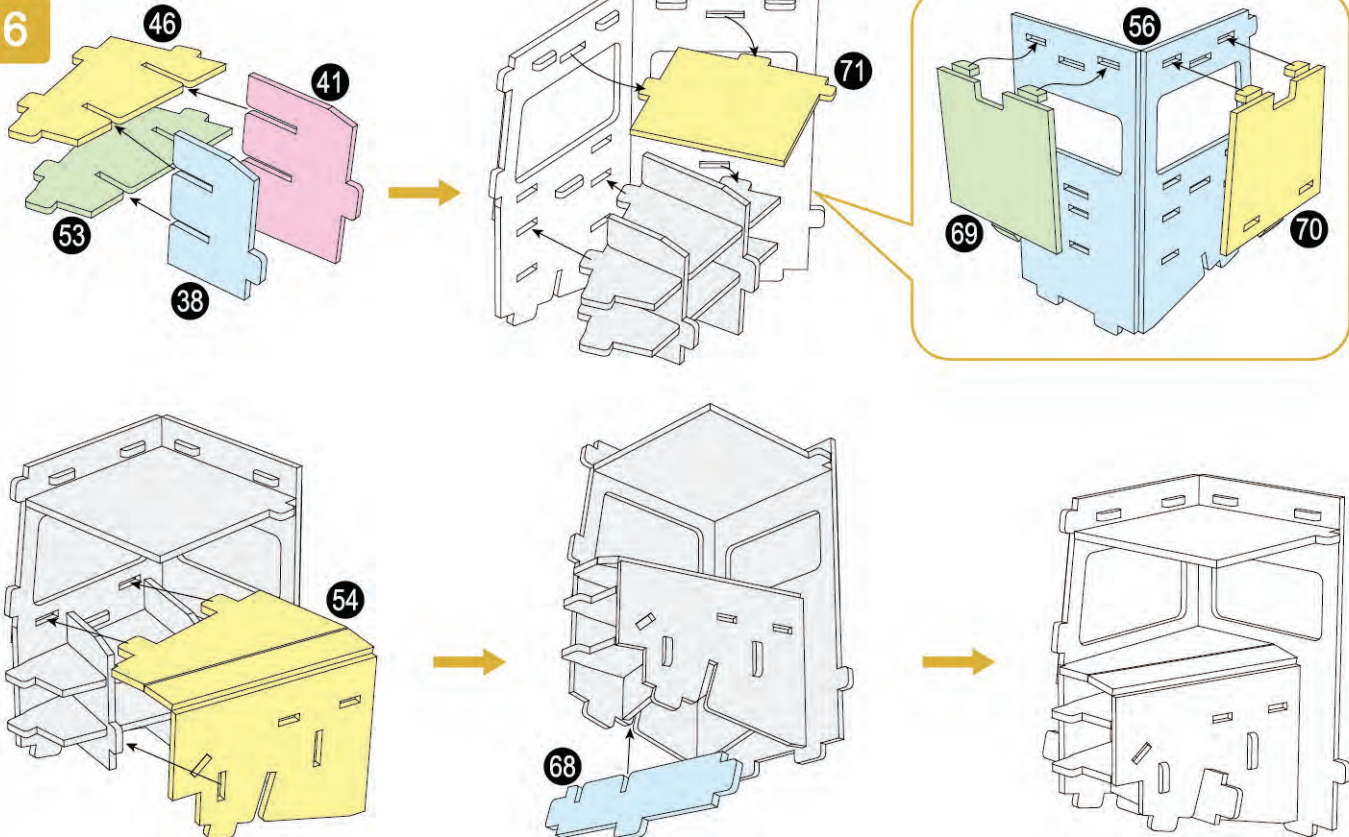
4



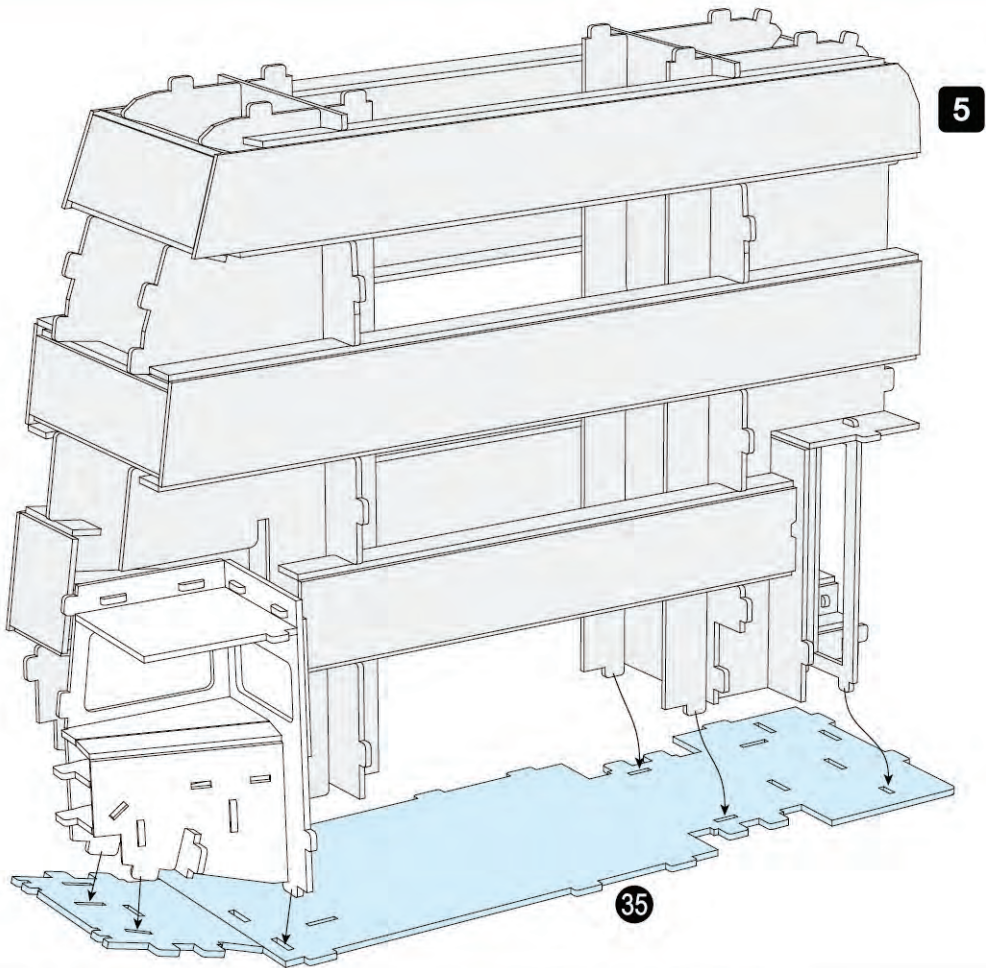
5



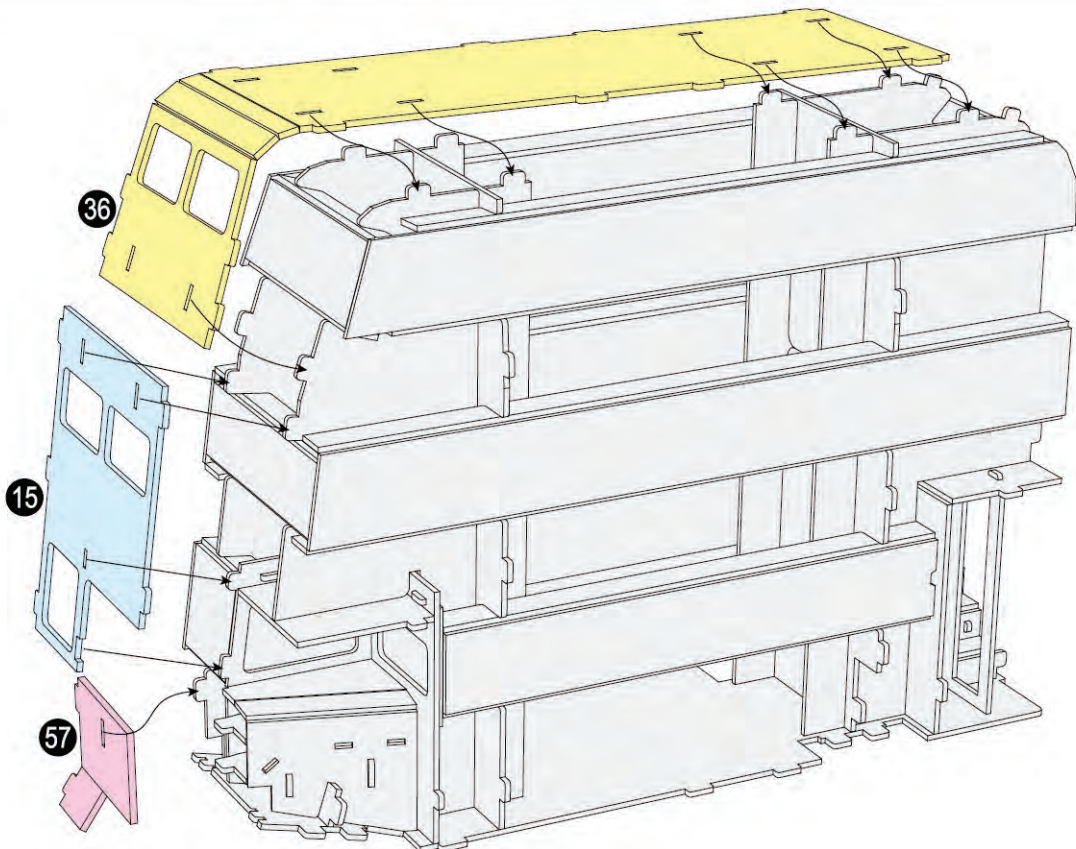
6



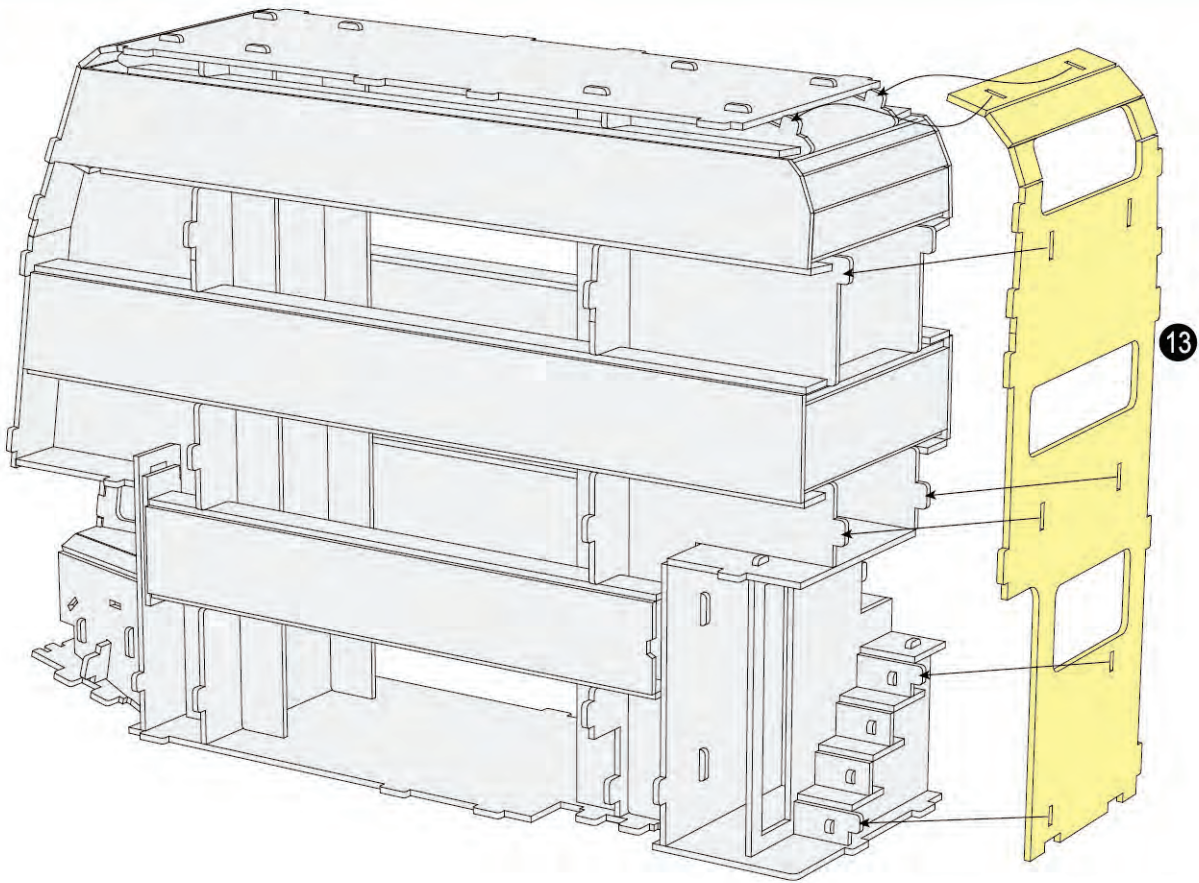
7



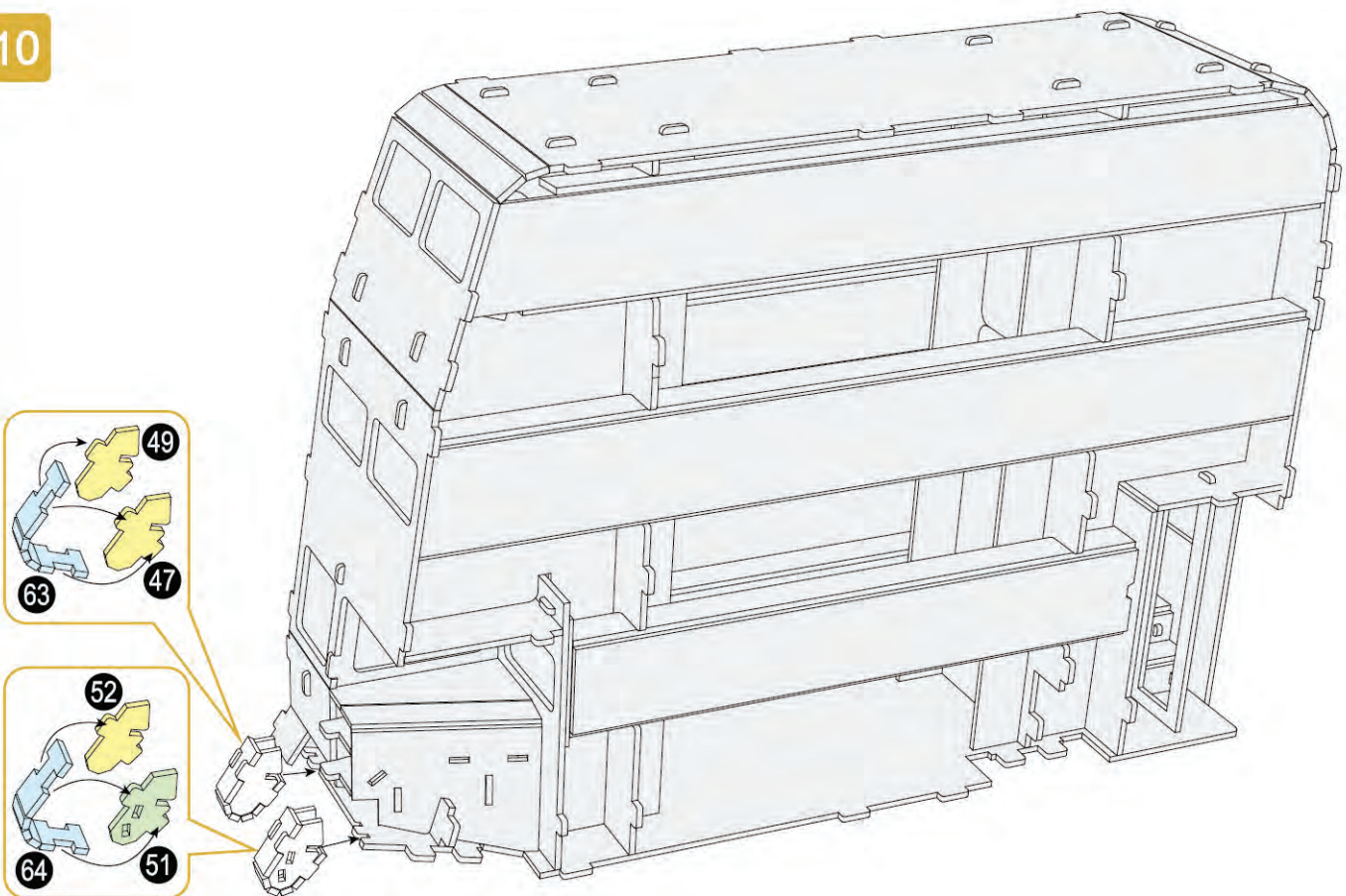
8



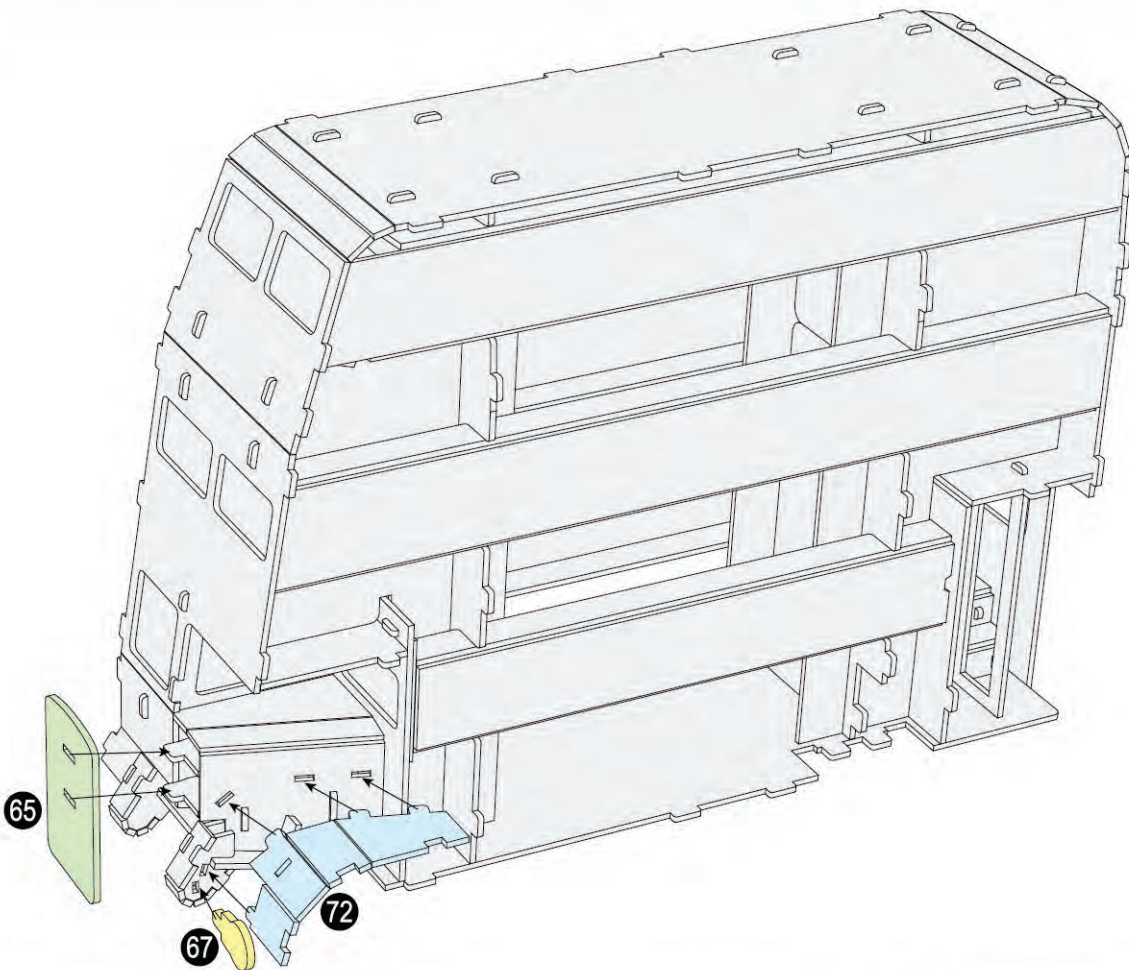
9



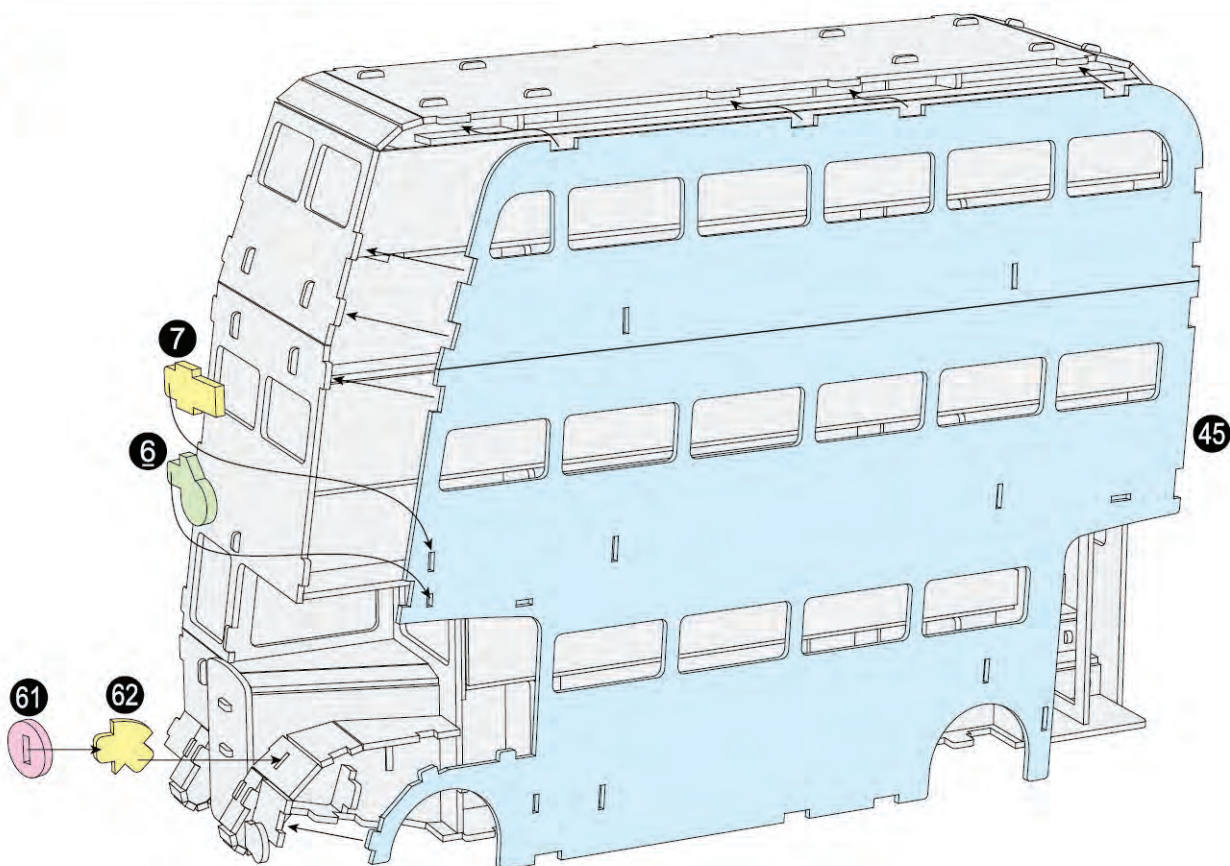
10

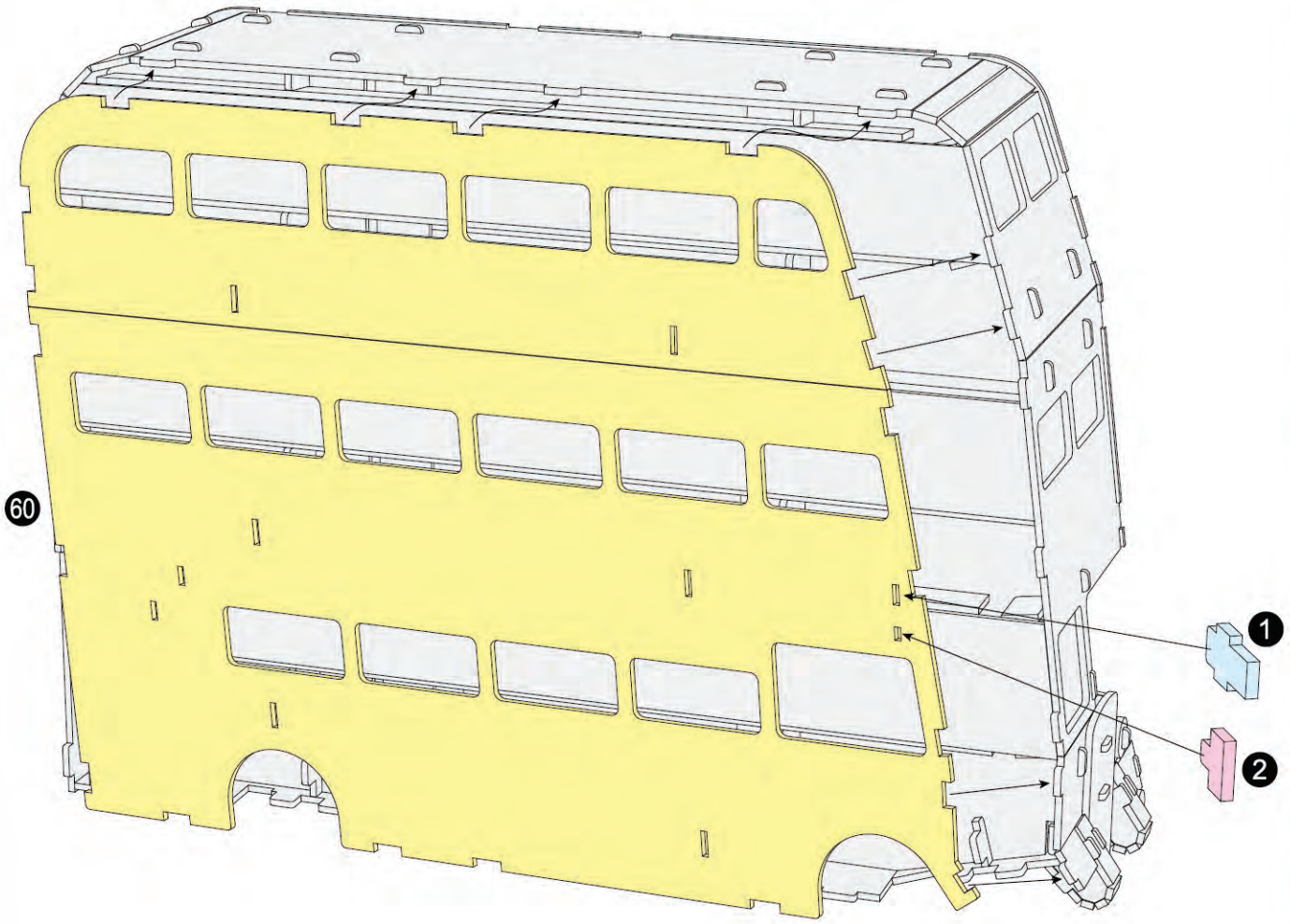


11



12





60

1

2

