



QUICK START GUIDE

Mini PC Nano A1

Service Guarantee Statement

Thank you for purchasing this product. You are entitled to one year of free parts and labor warranty service provided by our company.

The following conditions may result in the need for our company to provide services and repair fees may be charged at our discretion:

1. Improper operation in violation of the product manual or instructions.
2. Human damage, computer viruses, dampness, improper software installation, or self-disassembly, and other such factors.
3. Uncontrollable events such as fire, flood, wind, and earthquakes.
4. Wear and tear caused by accessories, consumables, and natural use.
5. If it is necessary for our company to reinstall software or adjust computer settings on behalf of the customer, fees may be charged at our discretion.
6. Damage or soiling of the company's warranty identification mark that makes it impossible to identify.

Before sending the product in for repair, please backup any personal data or files, as the repair process may affect data integrity. Our company guarantees repair services to provide peace of mind for your purchase and use.

Disclaimer

1. Please make sure to use the original power supply, and our

company will not assume any responsibility for any problems or failures caused by any third-party adapter.

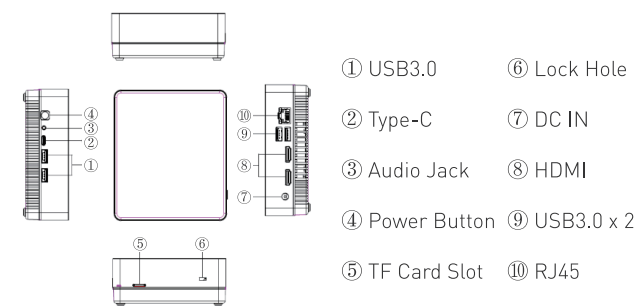
2. Users can use music videos, pictures and software provided by third parties, but we do not assume any responsibility for copyright issues or software failures.

3. If the product breaks down, we will strictly abide by the warranty clauses, but we will not assume any responsibility for any property loss or economic loss that may be caused during use.

4. The equipment is supplied with the built-in software at the factory, which can be used after actual testing. However, if it is deleted or not deleted when looking for compatibility or other issues, it will not incur any impact on the machine. Please note that it is not an issue related to product quality.

5. The company reverses the right to improve the product. If there is any change in product specification and design, no further notice is required. Please refer to the real object.

Product Interface Description



Product Specification Sheet

Processor	Intel® Alder Lake N100
Operating System	Support Windows Home/Pro, Linux
RAM	1 x DDR4 SO-DIMM
Storage	1 x M.2 2280 SSD
Expansion Card Slot	1 x Micro SD Card Slot
Display Interface	2 x HDMI
Wireless Device	WiFi 802.11ax + BT5.2
Network Interface	2.5G Network card
Ports	4 x USB3.0, 1 x TypeC 1 x Audio Jack
Power Input	DC-IN 12V/3A

Note:

1. This low-power radio frequency motor is a certified product. Without permission, the company, seller or individual is not allowed to change the frequency, increase power or change the original design characteristics and functions.
2. When using the low-frequency radio frequency motor, it

should not affect flight safety or interfere with legal communications. If interference is found, it should be immediately stopped and improved until there is no interference before it can be used again. Legal communication refers to wireless communication in accordance with the law. Low-frequency radio frequency motors must be able to withstand interference from legal communication or industrial, scientific, and medical radio frequency equipment.

3. This product contains a micro battery used by the CMOS of the motherboard. Do not replace it by yourself. If the consumer replaces the battery with the wrong type, it may be dangerous. Please handle the replaced battery properly.

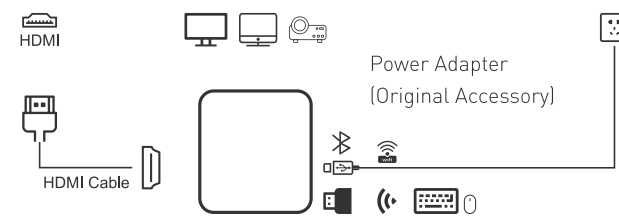
Packing List

- Mini PC x 1
- Power Adapter x 1
- User Manual x 1
- VESA Mounting Bracket x 1
- VESA Mounting Screws: (M4) x 4, (M3) x 2

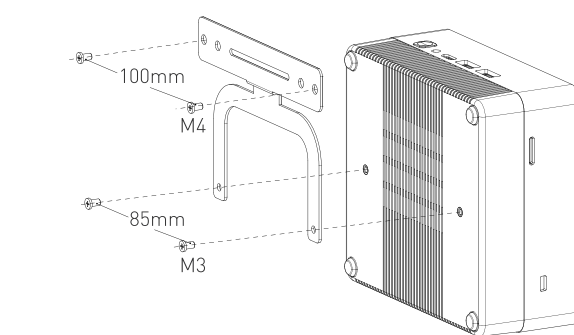
Quick Installation

1. Connect the display device via HDMI cable. Set the 'Video input source' of the device (such as: TV, Monitor and projector) to the connected HDMI input channel.
2. Connect the DC-IN interface of the power cord to this device, and directly plug the other end into the socket.
3. Connect the keyboard and mouse (Self-provided) via USB interface or Bluetooth.

4. Connect the internet via network cable or WiFi (WiFi need to be set up after turning on).



Installation of VESA Bracket



1. Locate the VESA mount screw holes on the back of the Mini PC. They are located near the middle of the device.
2. Align the VESA mount bracket with the screw holes on the back of the Mini PC as the image instruction. Make sure the mount is level and centered.
3. Insert the screws(M3) through the holes on the mount and into the screw holes on the Mini PC. Use a screwdriver to tighten the screws but be careful not to over-tighten them.

4. Double check that the Mini PC is securely attached to the VESA mount.

5. Attach the VESA mount to the back of your monitor. Align the VESA mount bracket with the screw holes on the back of your monitor.

6. Insert the screws(M4) through the holes on the mount and into the screw holes on the back of your monitor. Use a screwdriver to tighten the screws but be careful not to over-tighten them.

7. Double check that everything is securely in place and enjoy your newly mounted Mini PC and display!

Tips and FAQ

1. Turn off Your Mini PC

If your Mini PC does not respond. Press the power button for at least (4-6) seconds until your Mini PC is turn off.

2. Connect Wi-Fi

Connect PC to the Wi-Fi network using the following steps.

- 1) Click the network icon on the bottom right of your screen.
- 2) Click the Wi-Fi icon to turn on Wi-Fi.
- 3) Select an access point in the list of available Wi-Fi connections. Select one of the connections to start the network connection. (You may need to enter password to activate a Wi-Fi connection.)

3. Enter the BIOS Setting

Press 'F2' key during the boot process.

Under normal circumstances, the default BIOS settings apply in most cases to ensure optimum performance. Do not change the default BIOS settings. Inappropriate BIOS settings may cause

instability or startup failure. We strongly recommend that you can only change the BIOS settings with the help of technical service personnel.

FY INTERNATIONAL LLC

www.cybergeekpc.com
Phone: +1 (888) 396-8527
Email: cs@cybergeekpc.com
Add: 13 Garabedian Dr. Unit C, Salem NH 03079

