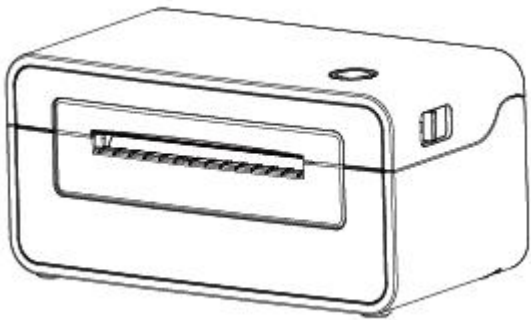


polono

PL60



User Manual

Visit polono.com

CONTENT

- IMPORTANT SAFETY INSTRUCTIONS.....2

- CHAPTER 1 INTRODUCTION.....7
 - 1.1 Packing List.....7
 - 1.2 Appearance and Components..... 8
 - 1.3 Dimension..... 9

- CHAPTER 2 SPECIFICATIONS.....10

- CHAPTER 3 INSTALLATION & USAGE..... 12
 - 3.1 Media Loading..... 12
 - 3.2 Power Connection.....17
 - 3.3 Paper Sensor..... 18
 - 3.4 Operation Panel..... 23
 - 3.5 Basic Function..... 25

- CHAPTER 4 MAINTENANCE & ADJUSTMENT.....28
 - 4.1 Cleaning Print Head..... 28
 - 4.2 Cleaning Roller and/or Paper Path.....28

- CHAPTER 5 WINDOWS DRIVER INSTRUCTION.....30
 - 5.1 Introduction..... 30
 - 5.2 Installation Preparation..... 30
 - 5.3 Installation..... 31
 - 5.4 Usage.....35
 - 5.5 Uninstalling..... 50

- CHAPTER 6 Mac DRIVER INSTRUCTION..... 53

6.1 Manual Information.....	53
6.2 Driver Preparation for macOS.....	53
6.3 Driver Installation for macOS.....	53
CHAPTER 7 LINUX DRIVER INSTRUCTION.....	62
7.1 Manual Information.....	62
7.2 Operating System (OS) Environment.....	62
7.3 Linux Driver Installation.....	63
7.4 Detailed Linux Driver Settings.....	68

■ Statement

The contents of this manual may be modified without prior notice. We reserve the right to adjust the technology, spare parts, hardware, and software of our products. Contact us for more information regarding any changes to this product. Without written consent, copying or transferring any content from this manual is prohibited.

■ Warnings



This must be complied with to avoid damage to the human body and the equipment.



This shows the important information and tips for the printer operation.

■ Attention

Due to continuous improvement of the products, the specifications, accessories and procedures described in the manual are based on actual machines and may be changed without prior notice.

IMPORTANT SAFETY INSTRUCTIONS

Before using the printer, carefully read the following safety considerations in the event of bodily injury or equipment damage.

1. Safety warning



The print head will become very hot during printing. Do NOT touch the print head or its peripheral parts during printing or when printing just finished.



Do NOT touch the print head or its contact points to prevent static-induced damage to the print head.

2. Instructions



Warnings: Violating the following instructions may cause serious injury or death.

1) Do not oversaturate a single power outlet.

- This may cause the products to overheat and start a fire.
- If the plug is wet or dirty, dry or wipe it before using.
- If the plug does not fit perfectly in the outlet, do not plug it in.
- Be sure to use a standardized power outlet.

2) You must use the supplied adapter.

- It is dangerous to use other adapters.

3) Do not remove the plug by pulling on the cable.

- This may damage the cable or cause a fire.

4) Do not plug in or unplug with your wet hands.

- You may be electrocuted.

5) Do not bend the cable by force or leave it under any heavy object.

- A damaged cable may cause a fire.



Note: Violating the following instructions may cause slight damage of the product.

1) If you observe any strange smoke, odor or noise from the printer, unplug it before taking the following measures.

- Switch off the printer and unplug from the mains.
- After the disappearance of the smoke, call your dealer for repair.

2) Operate the printer on a stable surface.

- If the printer falls down, it may break and you may hurt yourself.

3) Only Use the approved accessories and do not try to disassemble, repair or remodel the printer by yourself.

- Call your dealer when you need these services.
- Do not touch the auto cutter blade.

4) Do not let water or other foreign objects drop into the printer.

- If this happens, switch off and unplug the printer before calling your dealer.

5) Do not use the printer when it is out of order. This can cause a fire or an electrocution.

- Switch off and unplug the printer before calling your dealer.

6) Other considerations:

- Place the printer on a solid and even base so that it cannot fall.
- Leave enough space around the printer for operation and maintenance.
- Keep all liquids away from the printer.
- Do not expose the printer to high temperatures, direct sunlight or dust.
- Ensure the printer is connected to a socket with the correct voltage rating.
- Unplug the printer if it is not in use for a long time.
- To ensure the printing quality and reliability, use the same quality or recommended

paper supplier.

- Switch off the POWER supply when connecting/disconnecting ports, otherwise it will cause damage to the printer control circuit.
- Never carry out maintenance or repair work yourself. Always contact a qualified service Technician.
- Keep this User Manual in a place which is always easily accessible.

3.Other Precautions

The copyright for this user manual and various other manuals is property of our company. Any copying or conversion into electronic form and saving of this material without the express written permission is strictly prohibited. Use of the information contained in this manual is not subject to any patent liability. This manual has been prepared with utmost care and attention to details but may contain certain errors and/or omissions. Our company is not legally liable for any damages resulting from the use of the information in this manual. Our company and its affiliates are not legally liable (United States excluded) for any damages, loss, costs, and/or expenses that result from the breakdown, malfunction, and/or misuse of the product due to violation or neglect of the operation and maintenance information and instructions provided by our company, as well as from the unauthorized alteration, repair, and/or modification of the product by the user and/or third party. We are not legally liable for any damages and/or issues resulting from the use of options and/or parts that are not authentic or authorized products.

4.WEEE (Waste Electrical and Electric Equipment)



This mark shown on the product or its literature indicates that the corresponding item should not be discarded at the end of its working life with other household waste. To prevent possible harm to the environment or human health from uncontrolled waste disposal, please separate marked items from other types of waste and recycle them responsibly to promote the sustained reuse of material resources. Household users should contact either the retailer where they purchased this product, or their local government office for details of where and how they can conduct environmentally safe recycling of such items. Commercial users should contact their suppliers and check the terms and conditions of purchase contracts. This product should not be combined with other commercial waste for disposal.



Caution: This is a Class A product. In a domestic environment this product may cause radio interference in which the user may be required to take adequate measures.

CHAPTER 1 INTRODUCTION

1.1 Packing List



1. Unpack the printer and keep the packing materials in case you need to ship the printer in the future.

2. If Any damages exist, please contact the local dealer.

▪ Standard



Printer



Power Cord



USB Cable



Quick Start Guide



U Disk

▪ Optional



Folding Paper Storage

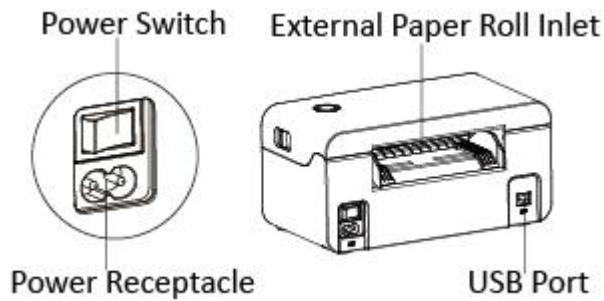
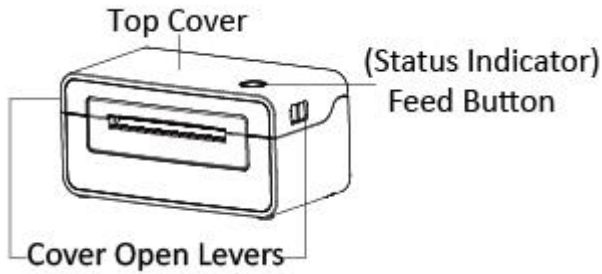


External Paper Roll Holder

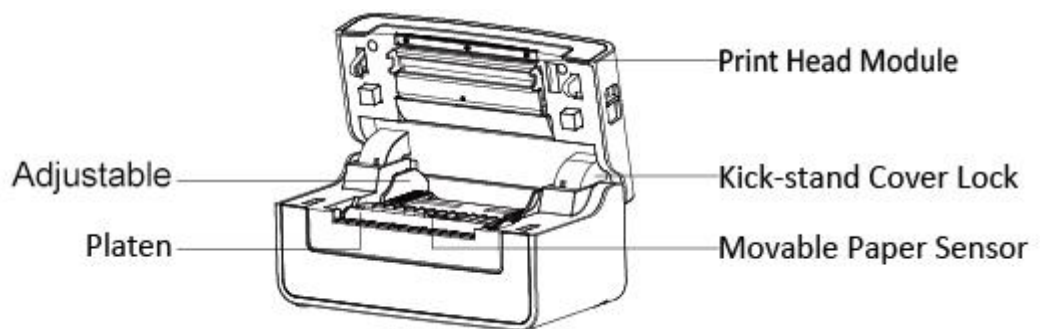


1.2 Appearance and Components

■ Front View & Rear View

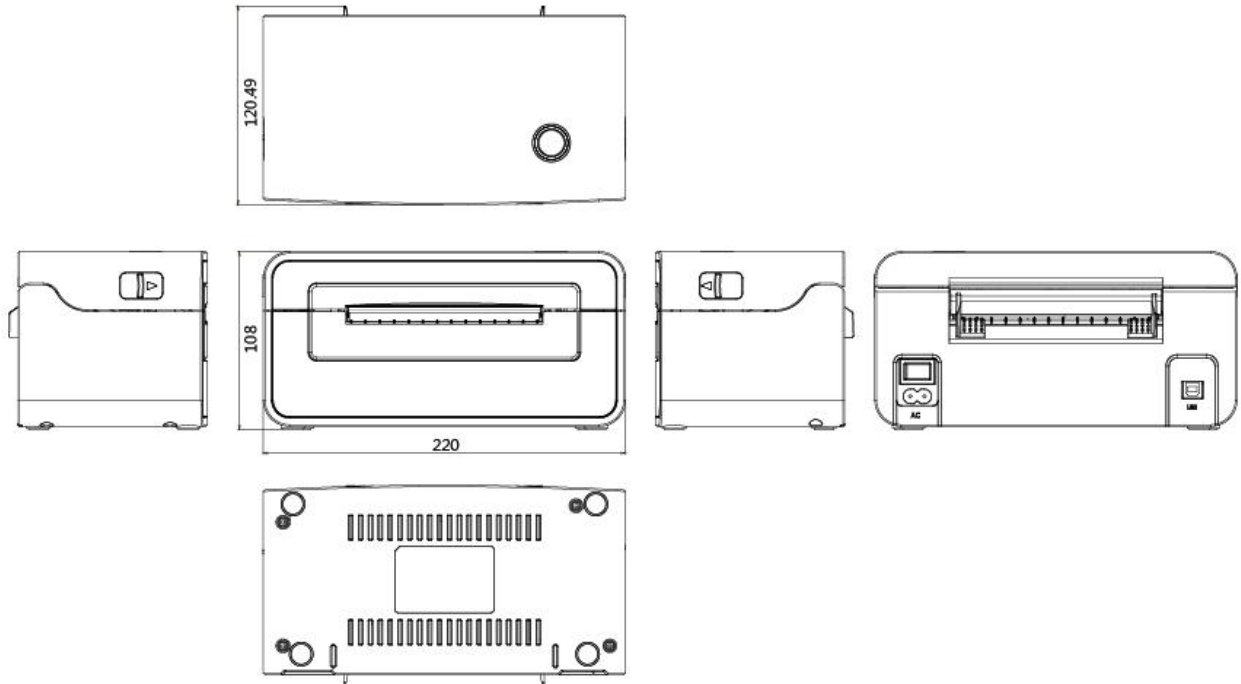


■ Inside View



Note: The above diagrams are to be used for reference only; parts and components may vary depending on your model.

1.3 Dimension



Unit: mm

CHAPTER 2 SPECIFICATIONS

Items		Parameter
Printing	Printing method	Direct thermal
	Resolution	203dpi(8dots/mm)
	Printing speed	50-127mm/s
	Printing width	50-108mm
	Printing length	25mm - 300mm
Processor		32 bits RISC CPU
Memory	RAM	2MB
	Flash	2MB
Detection	Sensors	Paper out detection, seam label detection, black mark detection, open detection
Media(paper)	Types	Roll-fed or Fan-fed, Die-cut or Continuous label
	Width	2"(50 mm) – 4.65"(118 mm)
	Thickness	0.003"(80 μm) – 0.0087"(220 μm)
	Label roll diameter	5"(127mm) Max
	External Folding Paper	W:100mmx L:100mm- 300mm
Programming Language		TSPL
Software	Driver	Windows,MAC,Linux
Resident Fonts		GBK 16x16 24x24dots ASCII 8x16, 12x24dots

Items		Parameter
Barcode	1D	Code 39, Code 93, EAN 8/13 (add on 2 & 5), UPC A/E (add on 2 & 5), I 2 of 5, Codabar, Code 128 (subset A, B, C)
	2D	QR Code
Communication Interfaces		USB
HMI		FEED button with three color lights Tear paper upwards Adjustable paper guides Automatic back feed and positioning Movable sensor for black label
Power		IP: AC230V+/-30V, 1.5A
Environment	Operation	41°F(5°C)-104°F(40°C), 30%-85%,non-condensing
	Storage	-4°F(-20°C)-122°F(50°C), 10%-90%,non-condensing
Physical	Dimension	220(L) x 120.49(W) x 108(H)mm
Characteristics	Weight	1.5Kg
Options & Accessories		External label roll holder Folding carton

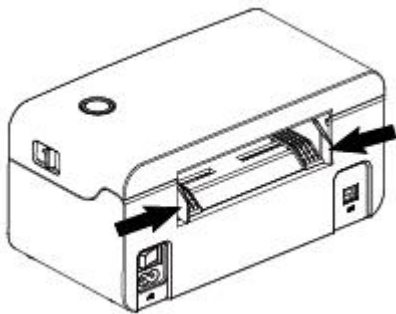
CHAPTER 3 INSTALLATION & USAGE

3.1 Media Loading

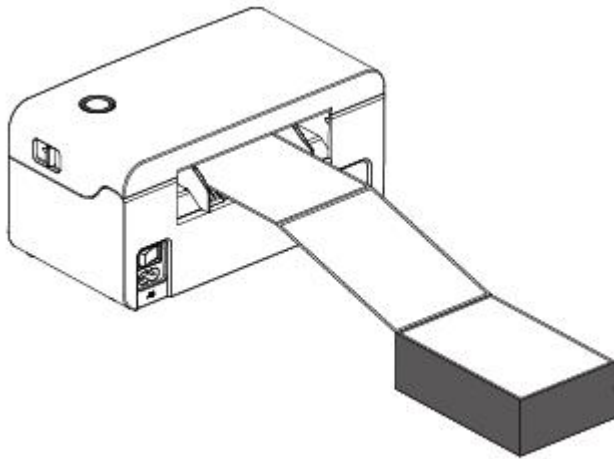
3.1.1 Paper Roll Loading

■ Folding Paper Loading

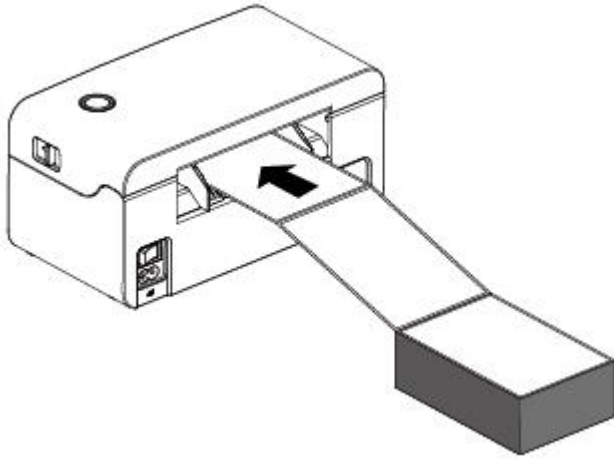
1. Power on the printer and adjust the paper guides to fit the width of paper.



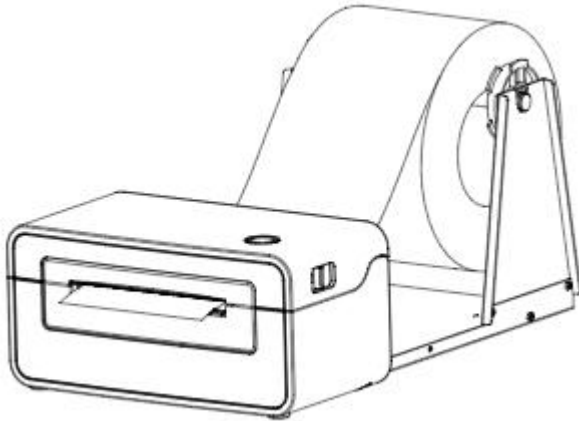
1. Insert the paper into the external paper roll inlet.



2. The paper will automatically feed into the printer.



■ External Paper Roll Loading

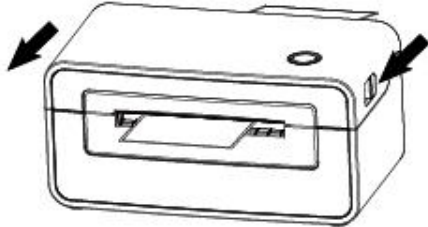


NOTE:

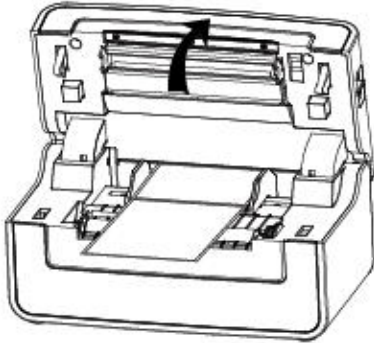
- 1) When the printer is powered on, the paper will automatically feed through the path.
- 2) The external paper roll holder needs to be aligned with the hooks at the bottom of the printer.

3.1.2 Paper Jam

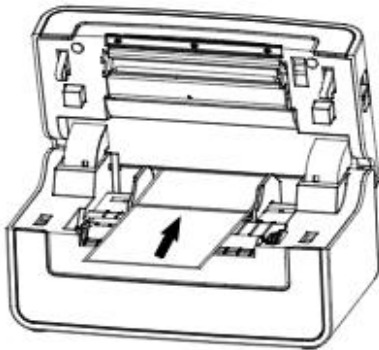
1. Press the cover open levers and hold upwards.



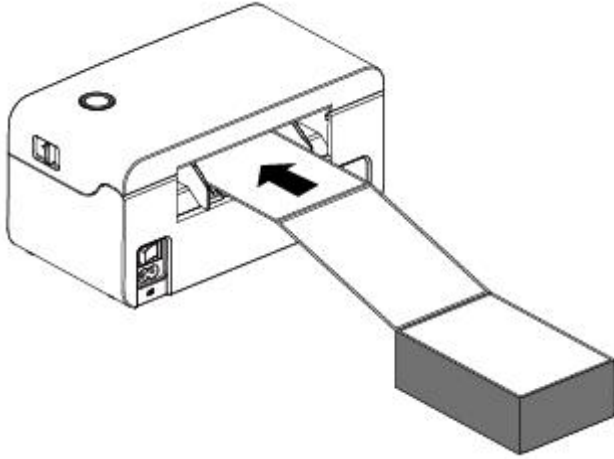
2. Open the printer cover.



3. Take out the jammed paper, then clean up the print head and platen.

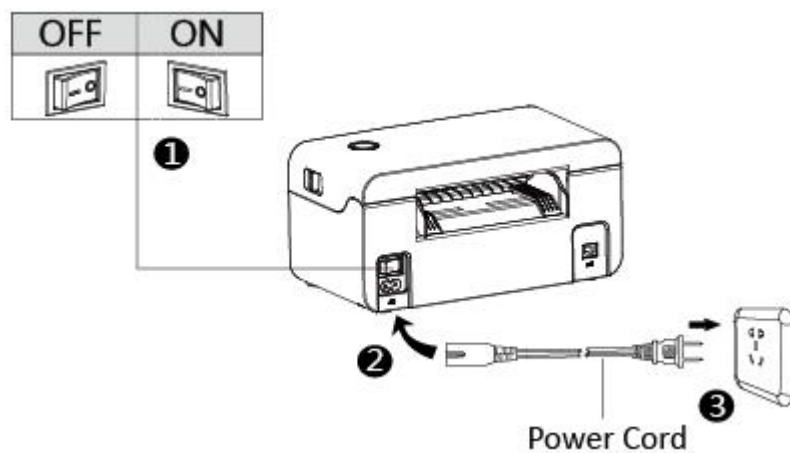


4. Reload new paper.



3.2 Power Connection

1. Make sure the printer's power switch is in the off position.
2. Connect the power cord to printer.
3. Connect the other end of the power cord to the socket.



- 1) Use only the original power adapter to prevent damage caused by improper charging.
- 2) Unplug the printer power cord if it is not in use for a long time.

3.3 Paper Sensor

When printing, the paper needs to be detected by the label detector. For different types of paper, the detector is located in a different position. Using the wrong detector position will cause the printer to skip pages while printing. To avoid this situation, refer to the following descriptions of paper types and their corresponding detector positions.

3.3.1 Label

When using label paper (figure I), the detector should be aligned to the triangle below (figure II), where the detector is in its initial position.

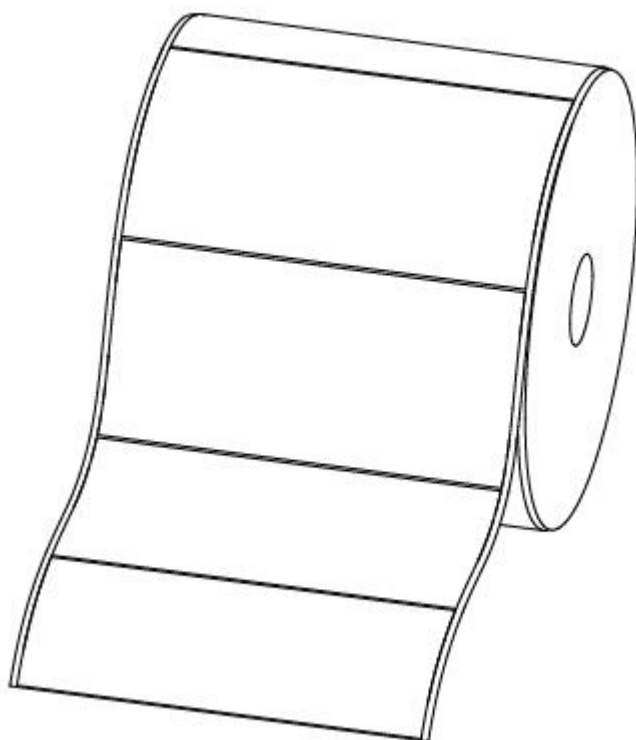


Figure 1

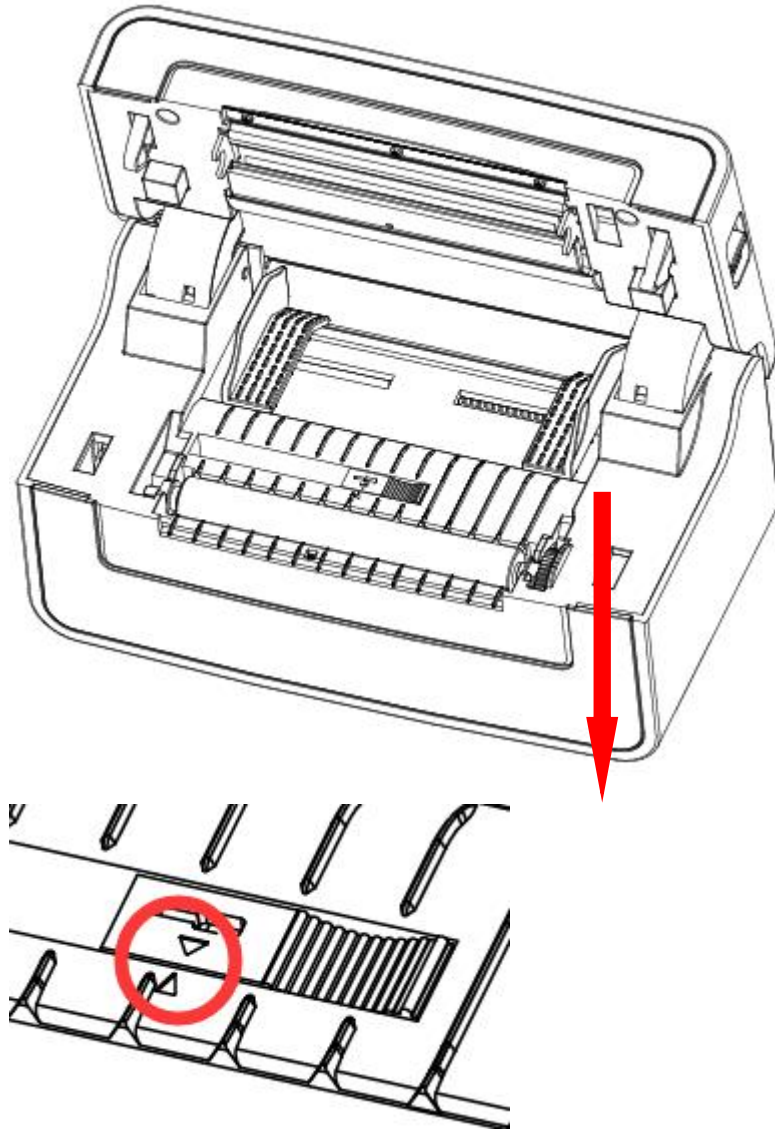


Figure 2

3.3.2 Black Label

When using Black Label paper (figure III), move the detector to detect the black label paper until it is positioned at the location of the Black label (figure IV).

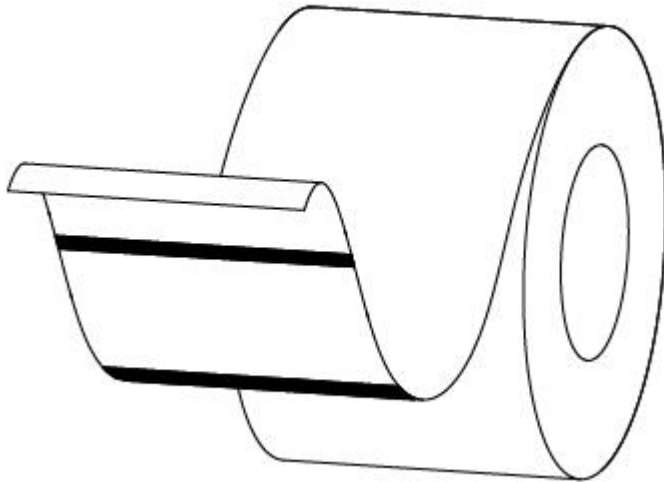


Figure 3

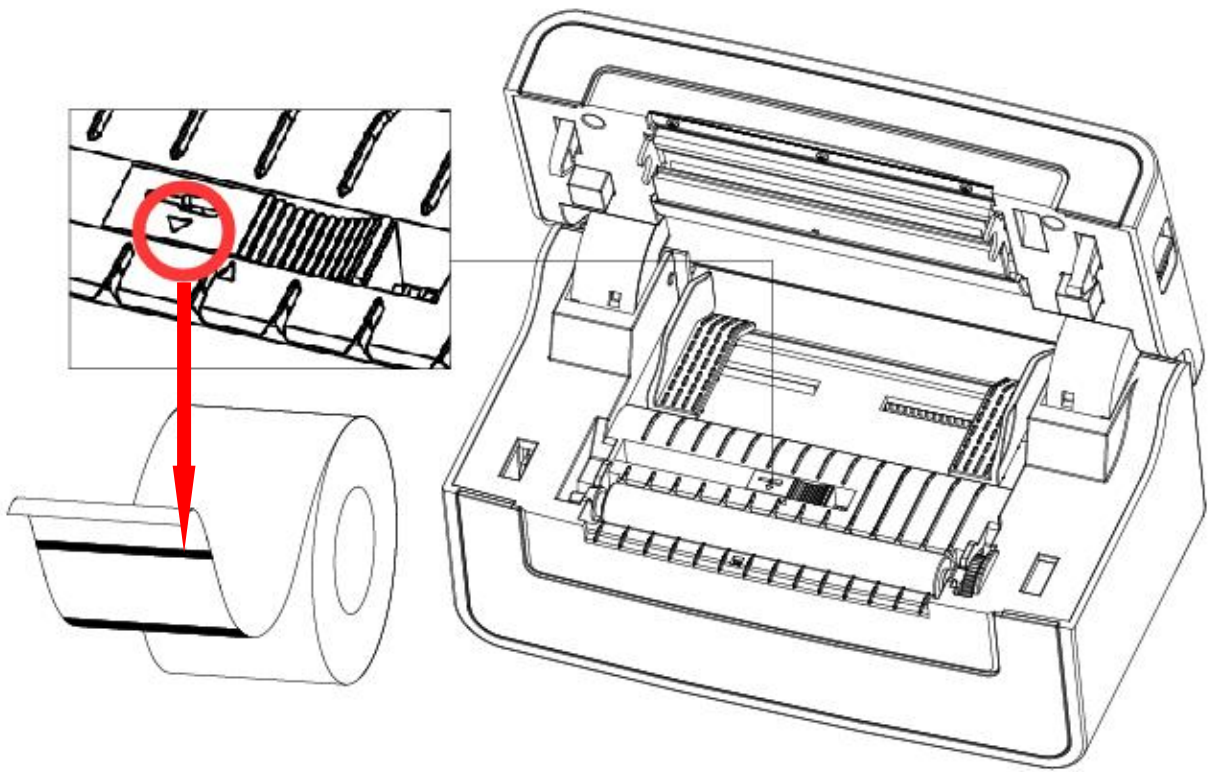


Figure 4

3.4 Operation Panel

3.4.1 Feed Button

■ Power on

While powered off, power on the printer using the power switch located at the back of the printer. The status indicator will light up.

■ Power off

While powered on, power off the printer using the power switch located at the back of the printer. The printer will shut down and the status indicator will no longer light up.

■ Feed Button

1) While powered on, press the feed button to feed the paper to a preset position. If you are using continuous paper, long press the feed button to feed a fixed length of paper. If you are using label paper, press the feed button to feed one label.

2) While the printer is printing, press the feed button to pause the current print job. The status indicator will show a flashing green light. Press the feed button again to resume printing.

3.4.2 Indicator Status

Color	Action	Indicator Status
Blue	Steady	Ready
Blue	Slow flash	Dump mode
Purple	Steady	Overheated print head

Red	Steady	Top cover is not closed
Red	Slow flash	Out of paper
Red	Quick flash	Abnormal label calibration
Orange	Slow flash	Paper jam, Label positioning is abnormal
Green	Steady	Printing
Green	Slow flash	Paused print job

3.5 Basic Function

3.5.1 Power On/ Power Off

1. Using the power switch located at the back of the printer, press the “O” to power off the printer and press the “-” to power on the printer. While powered on, press the feed button to feed the paper to a preset position. If you are using continuous paper, long press the feed button to feed a fixed length of paper. If you are using label paper, press the feed button to feed one label.

2. While the printer is printing, press the feed button to pause the current print job. The status indicator will show a flashing green light. Press the feed button again to resume printing.

3.5.2 Quick Calibration

Users must calibrate the printer under the following conditions:

- First time using the printer since installation.
- First time using the printer since sensor cleaning.
- First use after a long period of inactivity.
- Change to a new type of media (paper).
- Printer cannot recognize the mark.
- Huge change of the operating environment.

Calibration method:

1. Carry out the calibration manually.

When the printer is ready, keep pressing the feed button until the status indicator

(blue) flashes 2 times. Release the feed button and the printer will begin calibration. The printer can not calibrate in continuous paper mode.

2. Manual positioning learning after closing cover

Users can also complete their calibration through the printer tool software, as detailed in the "chapter 6 Label Printer Utility Instructions" section.



Note: After the quick calibration, users could open the printer cover to pull back the paper to avoid paper wasting.

3.5.3 Print Self-test Page

The self-test checks the printer's current settings, status and whether the printer has any problems or not. Please confirm the following status: firmware version, printer parameter setting status, print quality and external equipment related settings information, etc. If there are no problems with the printer, please check other devices or software. This function operates independently of other devices or software.

1. Printing Manually

- 1) Make sure the roll is loaded properly.
- 2) Make sure the top cover of the printer is closed properly. Then turn on the printer.
- 3) When the printer is ready, keep pressing the feed button until the light (Blue) flash once, then release the button to start to print the self-test page.

2. Printing by Windows Driver Program

- 1) Install the Windows Driver program.
- 2) Set the "Interface" as the type you use.

- 3) Use the Windows Driver Program to print out the “Self-test page”.
- 4) Please refer to “Chapter 7 Windows Driver Instructions” for more detailed information.

CHAPTER 4 MAINTENANCE & ADJUSTMENT

Leftover adhesives and paper coating can transfer over to the printer during regular printing over time. The thermal print head and media sensor are especially vulnerable and neglecting to clean these parts may result in an accumulation of dust and debris. Failure to clean the print head, printing path, and media sensor could result in mistakes like inadvertent loss of labels, label jams and possible damages to the printer.



Note:

1. Make sure to power off the printer before cleaning.
2. Power off the printer and allow it to cool off for approximately 2-3 minutes before attempting to clean the print head.
3. When cleaning the print head, do not touch the heated portion of the print head. Be sure to wear hand gloves when handling the print head as the print head is susceptible to damage from static electricity.
4. Do not allow the print head to become scratched or damaged in any way.

4.1 Cleaning Print Head

1. Open the printer cover and then use a cleaning pen to clean the print head from the center outwards.
2. After cleaning the head, do not use the printer until the alcohol used for cleaning evaporates completely (normally 1~2 minutes) and the printer has been completely dried.

4.2 Cleaning Roller and/or Paper Path

1. Open the printer cover and remove the paper.
2. Remove any dust or foreign substances using dry cloth or cotton swab.

3. Soak the cloth or cotton swab in medical-grade alcohol and use it to remove any adhesive foreign substances or other pollution materials.
4. After cleaning the parts, do not use the printer until the alcohol evaporates completely (1~2 min) and the printer has dried completely.



Note: Clean the parts when the printer quality or label detection degrades.

CHAPTER 5 WINDOWS DRIVER INSTRUCTION

Note:to down driver file, visit

<https://polono.com/blogs/index/how-to-install-the-driver> or use the driver files in the U disk to install.

5.1 Introduction

The following operating systems are supported:

Microsoft Windows 10 (32 bit/64 bit)

Microsoft Windows 8 (32 bit/64 bit)

Microsoft Windows 7 SP1 (32 bit/64 bit)

Microsoft Windows Vista SP2 (32 bit/64 bit)

Microsoft Windows XP SP2

Microsoft Windows 2000

Microsoft Windows Server 2012(64 bit)

Microsoft Windows Server 2008 R2

Microsoft Windows Server 2008 SP2(32 bit/64 bit)

Microsoft Windows Server 2003 R2 SP2(32 bit/64 bit)

5.2 Installation Preparation

Download the Windows Driver application program.

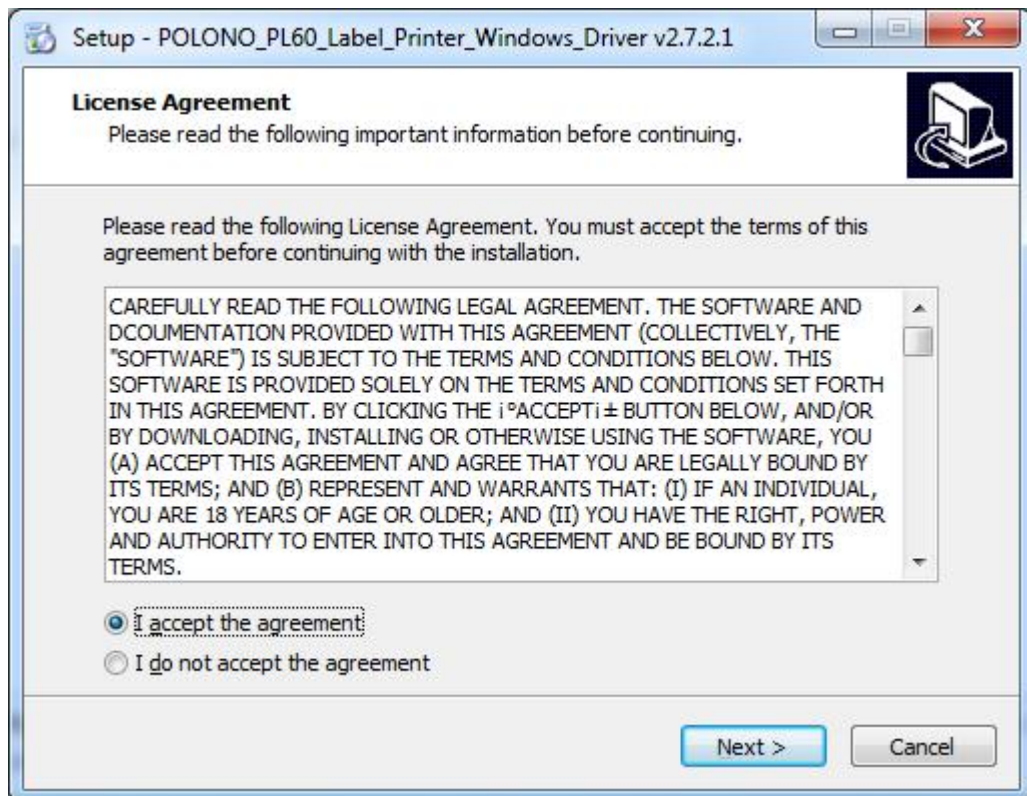
E.g. POLONO Label Printer Driver-v-2.7.2.1

5.3 Installation

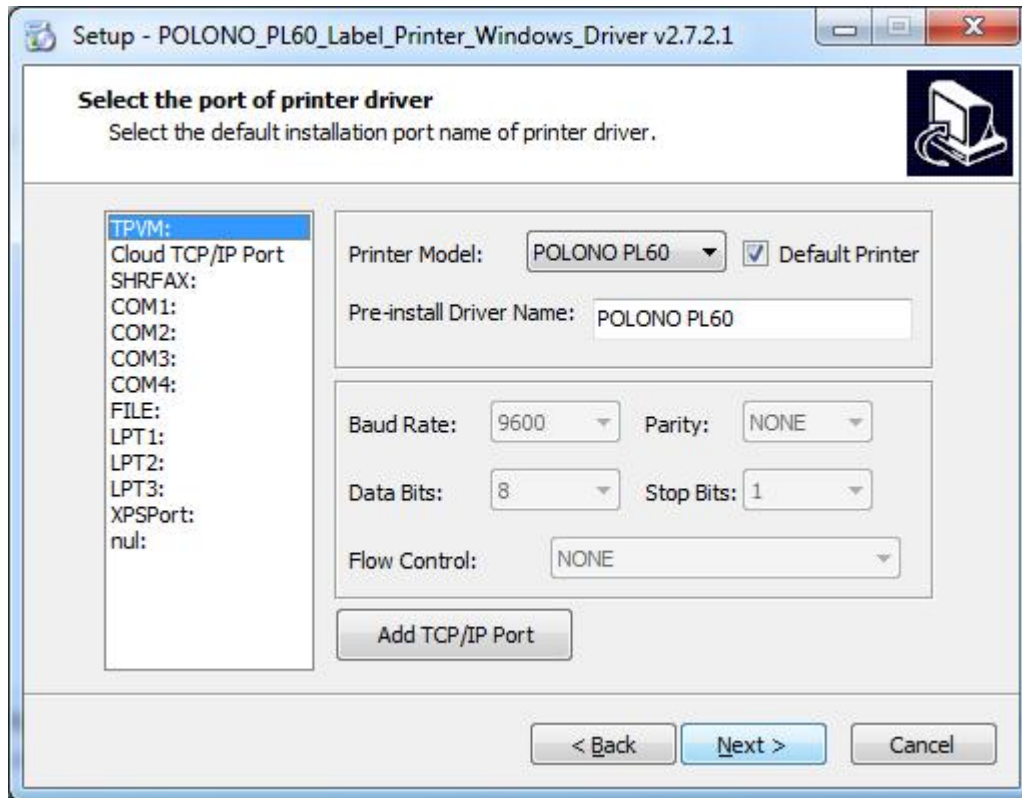


Warning: There may be some differences depending on the operating system, but the same steps will apply. If you encounter any issues running the installer, you may need to disable your security software.

1. Connect the printer to the computer.
2. Power on the printer and check if the printer is connected to the computer.
3. Open or run the Windows Driver.
4. Read and accept the license agreement. Then click “Next”.



5. Select the default installation port name of printer driver, then click "Next".



6. Click "Finish".



7. After installation, the icon will be found in “Start” → “Devices and Printers”.



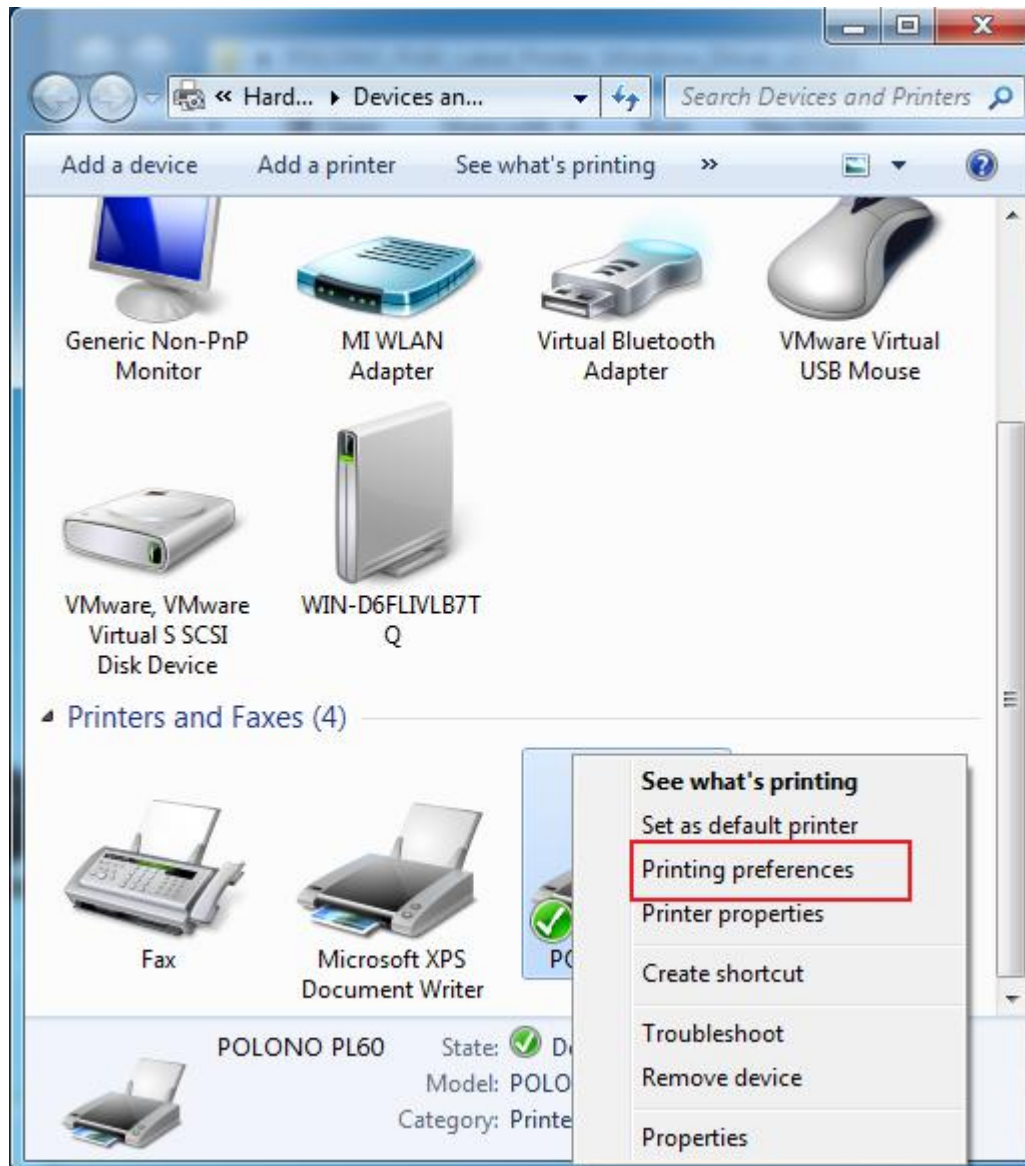
 **Note:**

1) If any problems exist, refer to our utility tool.

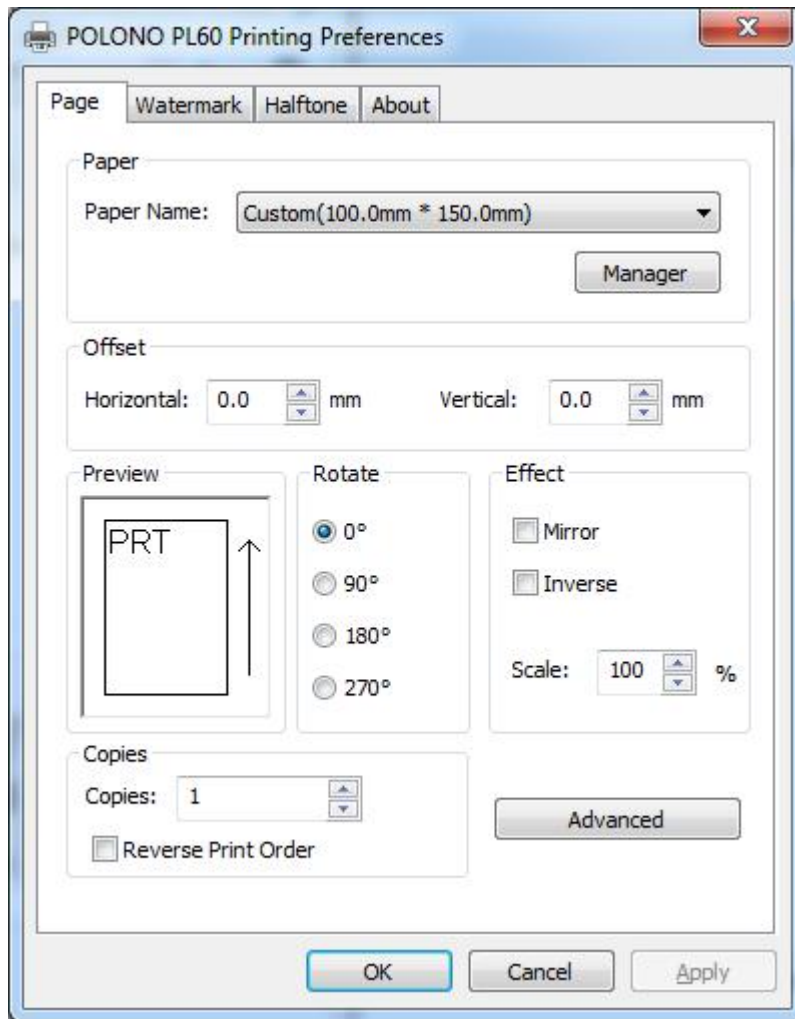
5.4 Usage

5.4.1 Printing Preferences

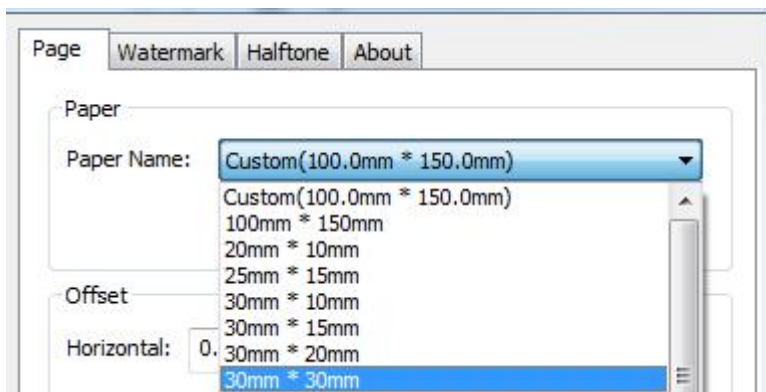
1. Click “Start” → “Devices and Printers”. Right click the icon and choose “Printing preferences”.



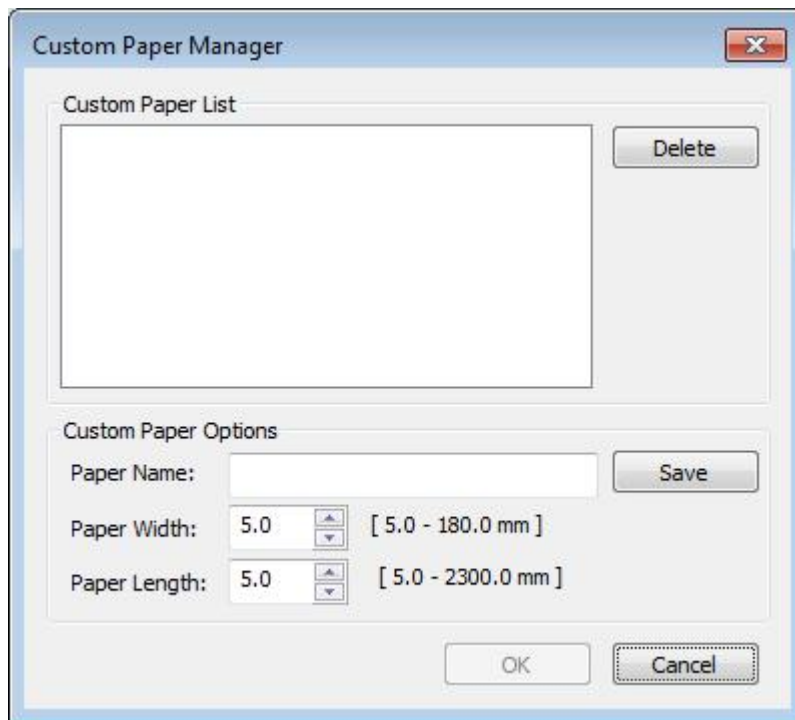
2. Customize the default page preferences.



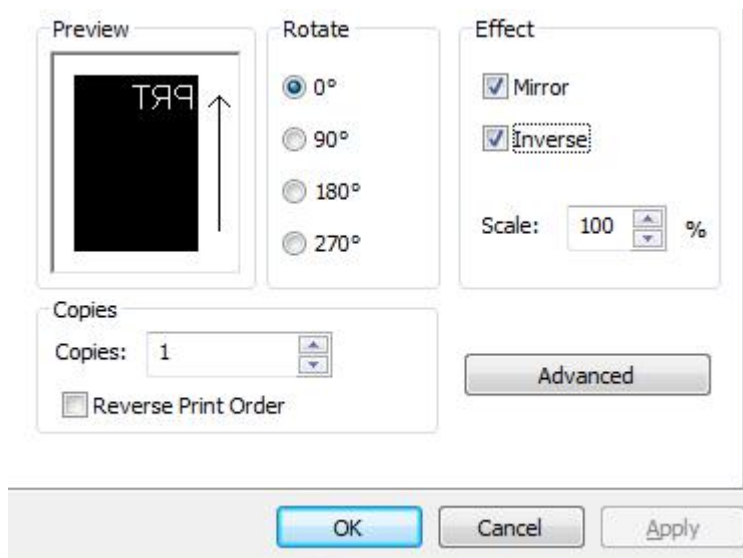
- Click "Paper Name", then choose the paper type.



- Click “Custom Paper Manager” to add new paper or label profiles.

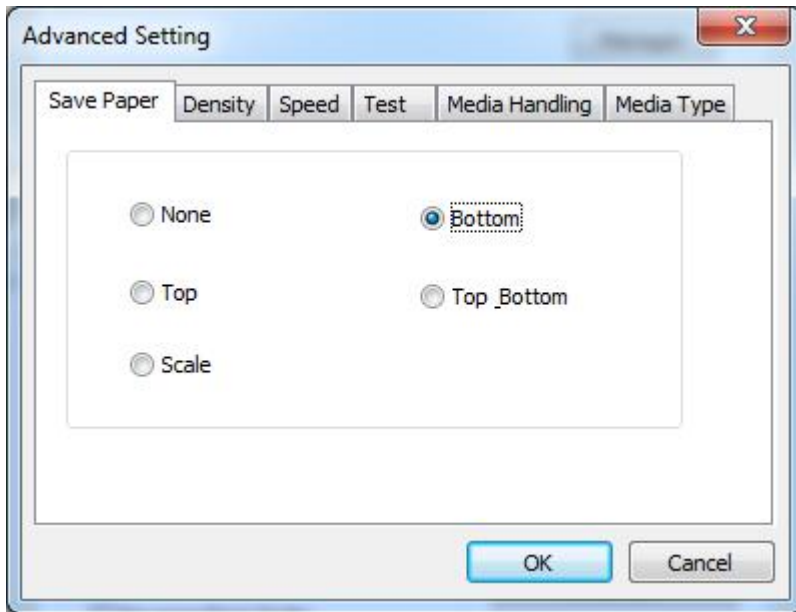


- Select the rotation and effects. Both will be displayed in the “Preview.”

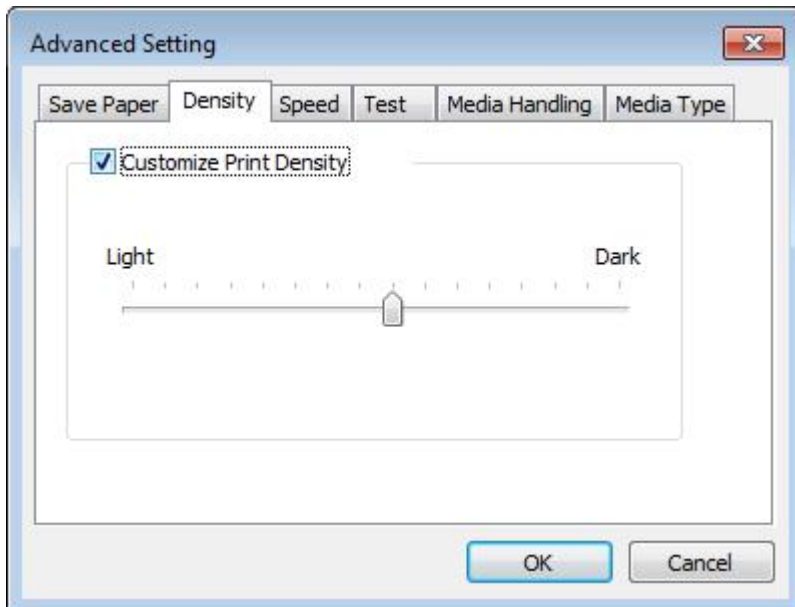


- Click “Advanced” to set “Save Paper”, “Density”, “Speed”, “Test”, “Media Handling”, “Media Type”.

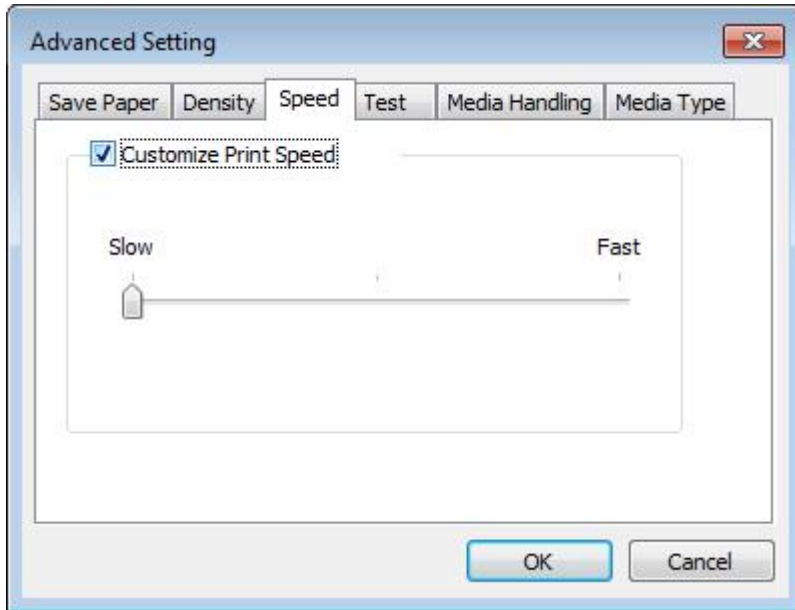
1) Save Paper



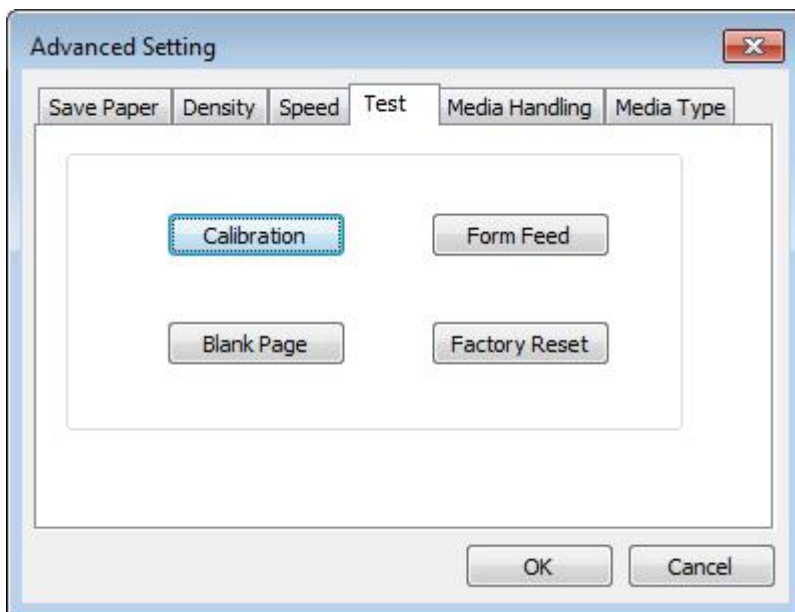
2) Density



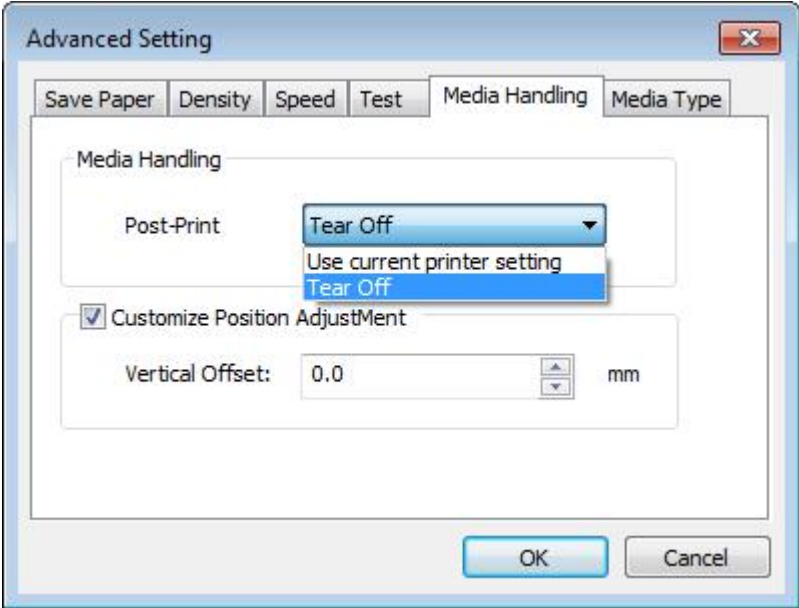
3) Speed



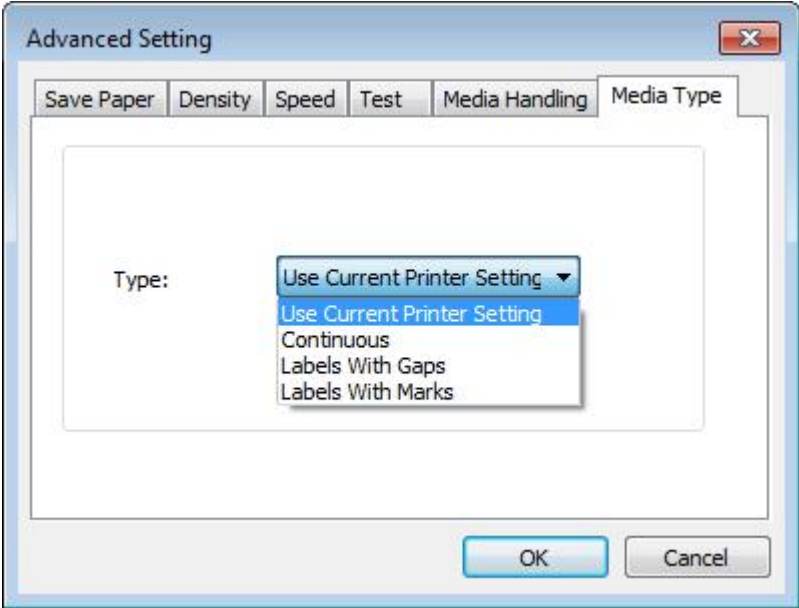
4) Test



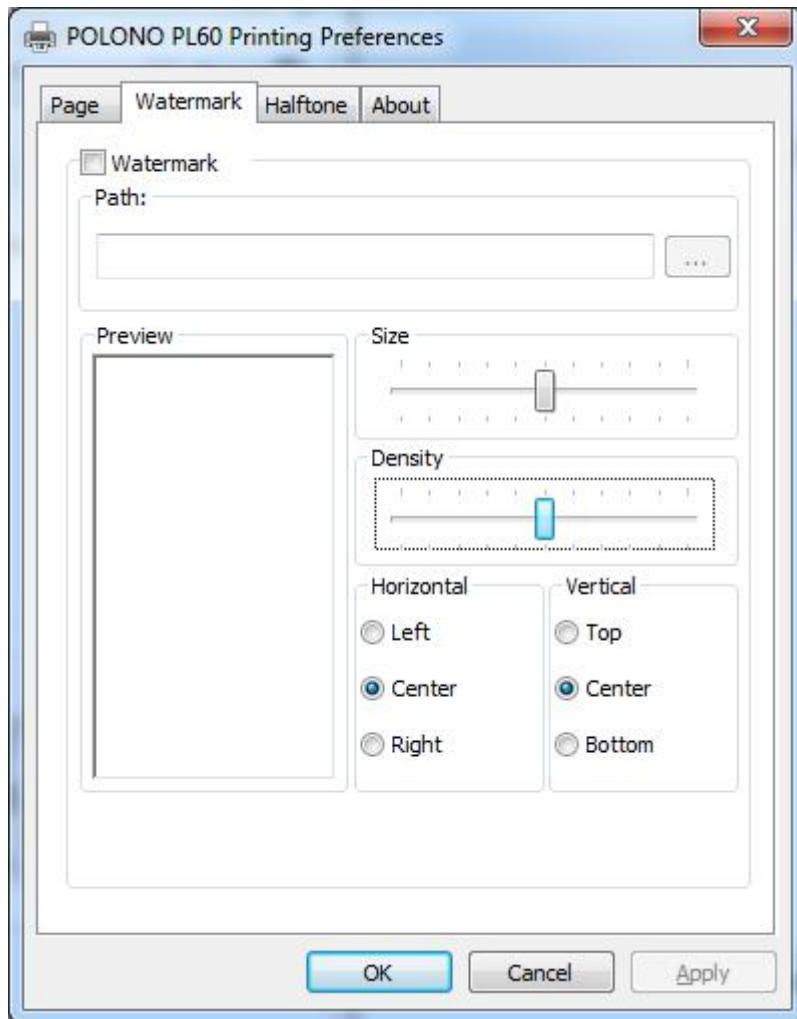
5) Media Handling



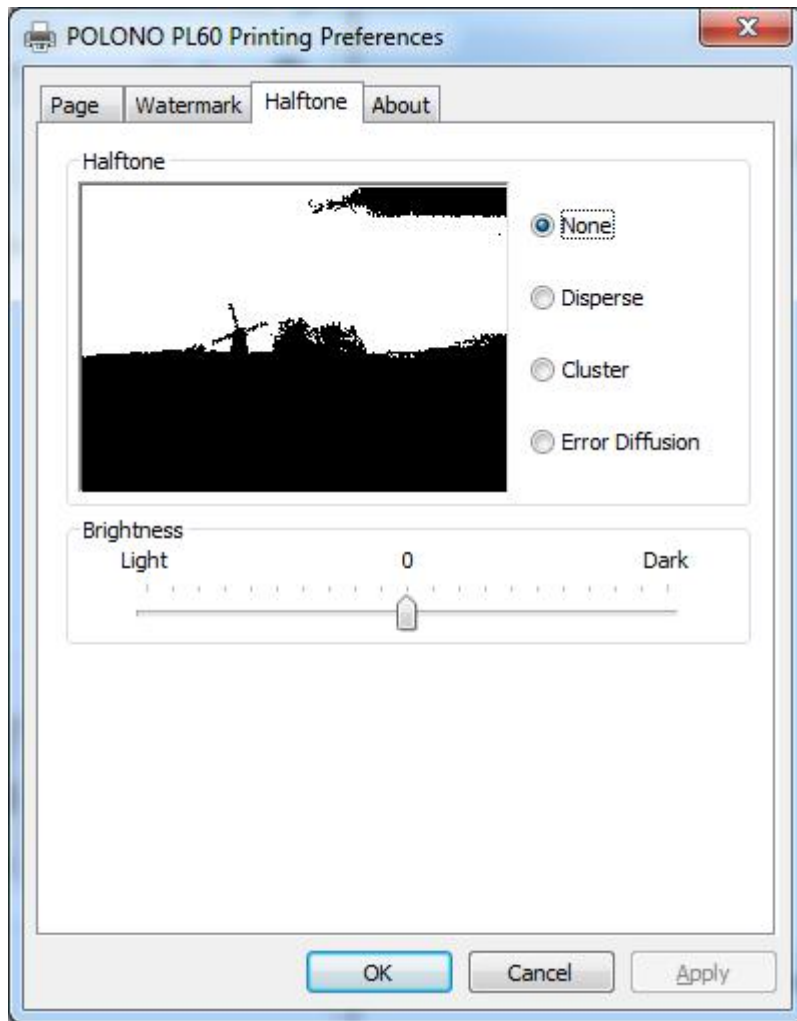
6) Media Type



3. Click "Watermark." We recommend using BMP format.



4. Click "Halftone".

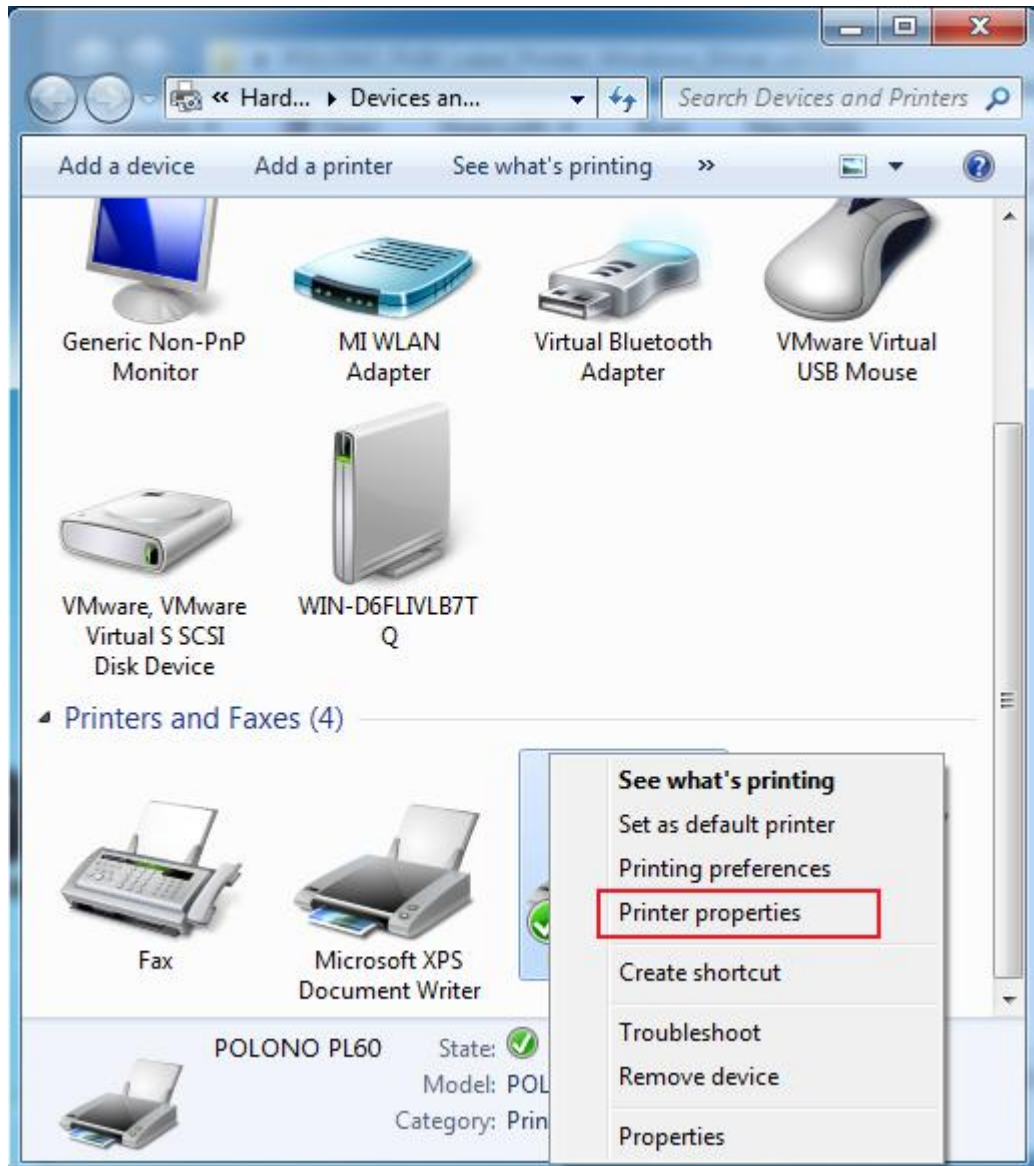


Click "Brightness" to adjust the brightness.

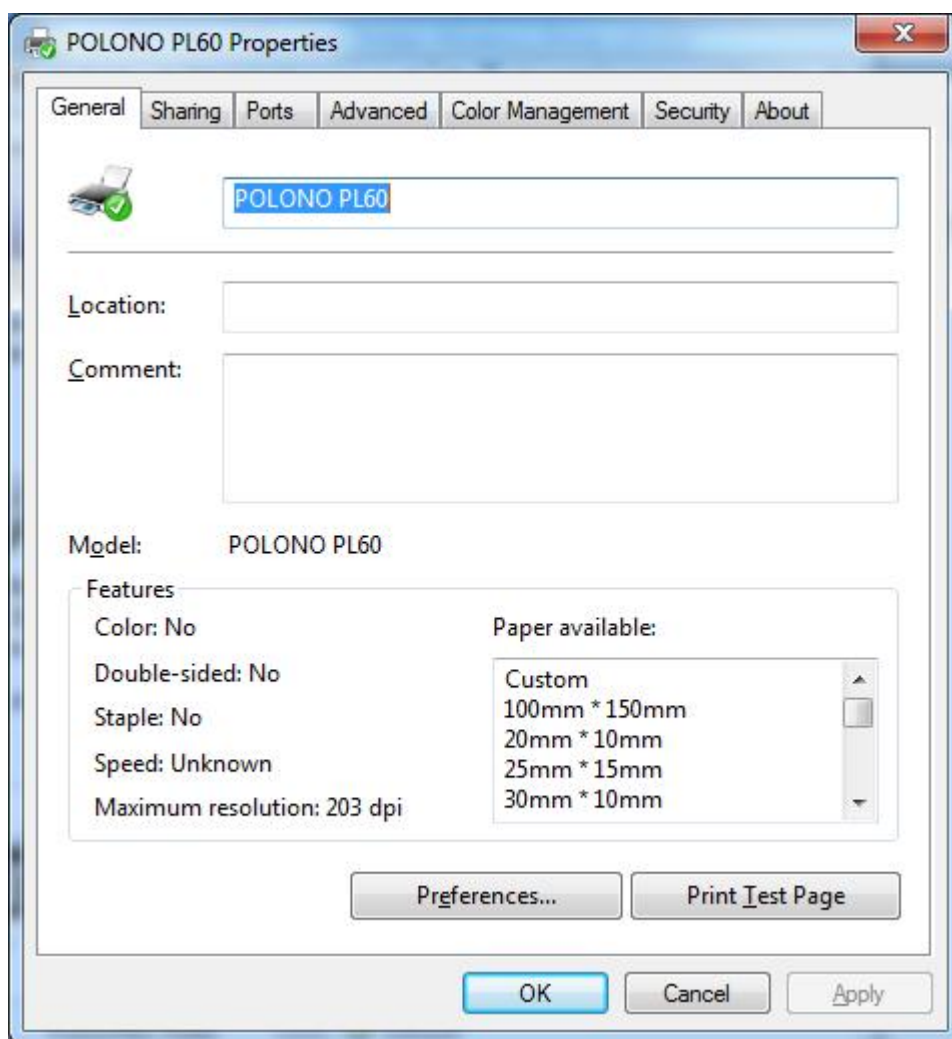


5.4.2 Printer Properties

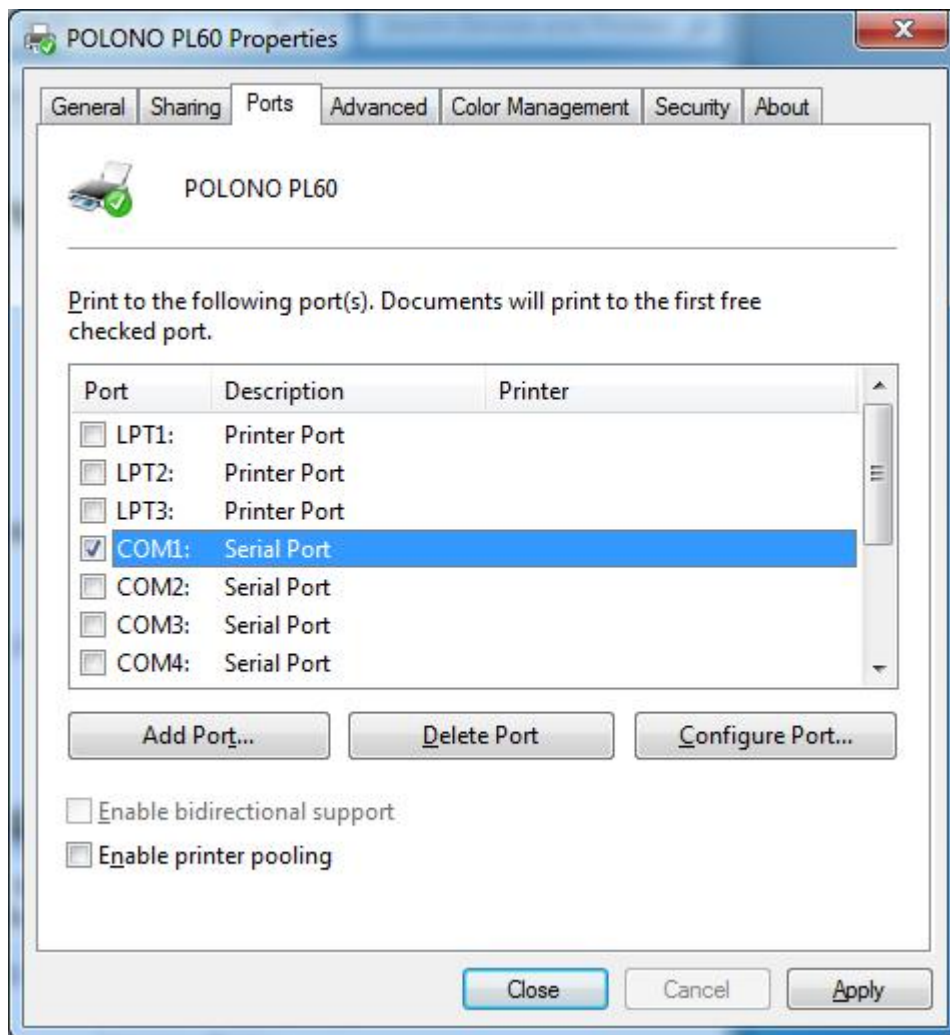
1. Click “Start” → “Devices and Printers”. Right click the icon and choose “Printer properties”.



2. Click “General” → “Print Test Page”, and the printer will print labels with the current settings.

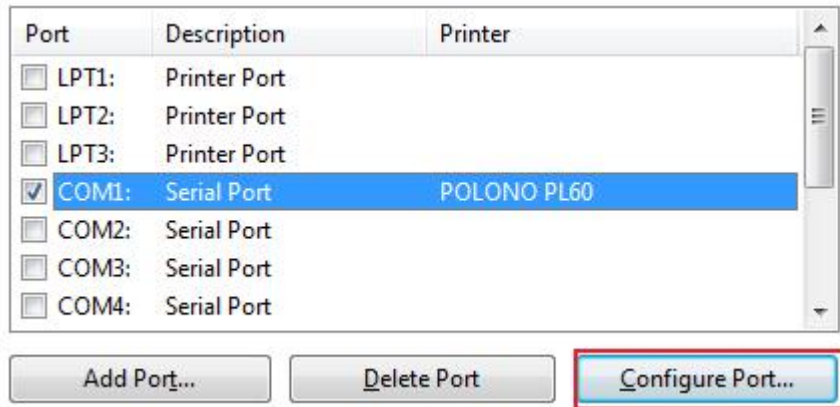


3. Click "Ports", then choose the port needed.

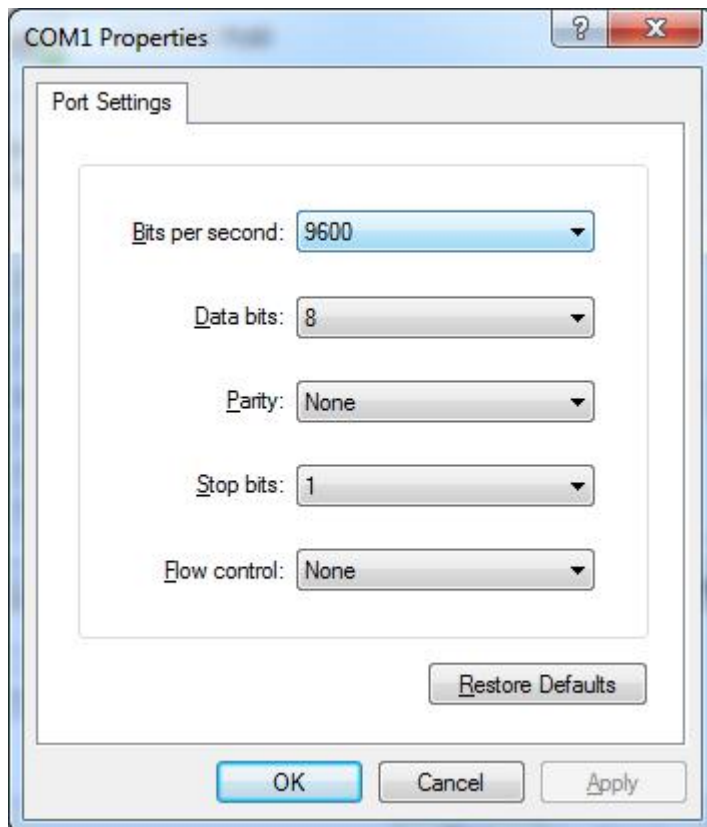


For example, configure the port as a serial port.

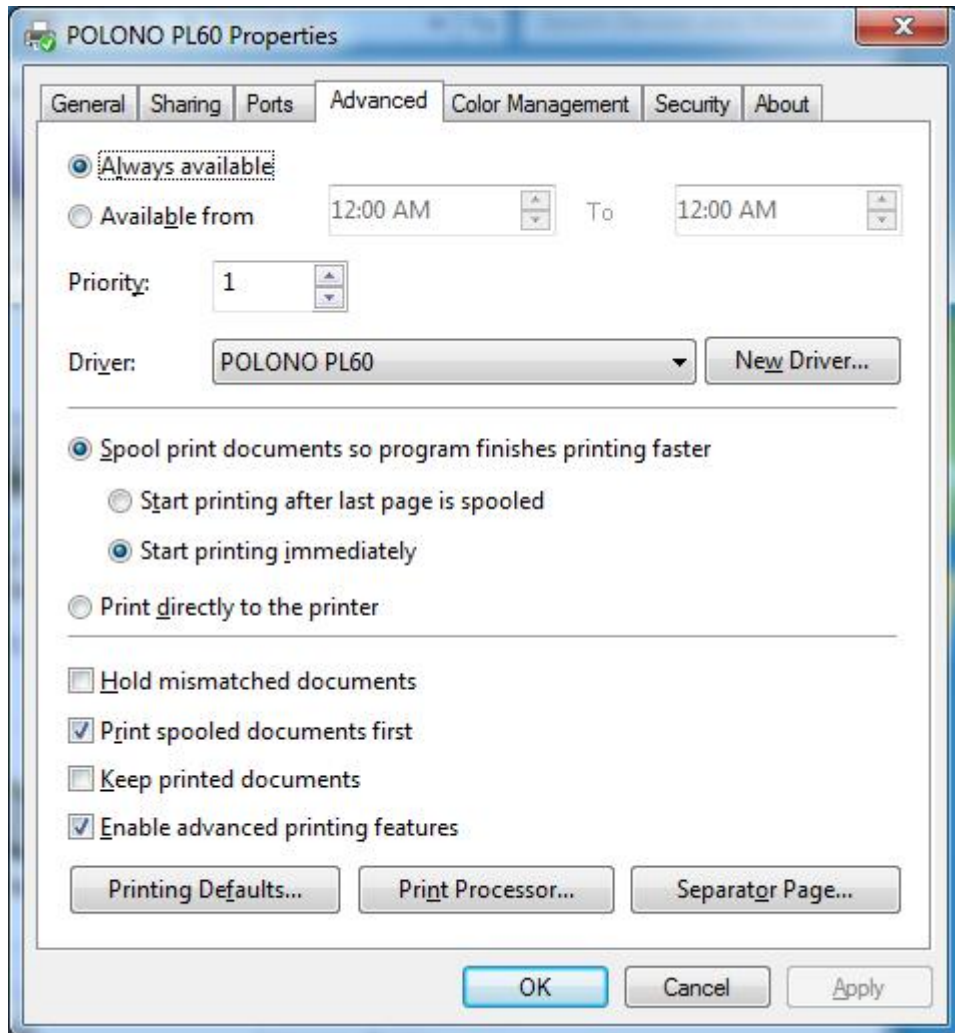
1) Check serial port and click "configure port"



2) After opening the "configuration port", you can view the port data by printing the self-test page. Change the information on the "port setting" to the same port data on the self-test page. After the modification, click "OK".



4. Click "Advanced" to set the available time for the printer.



5.5 Uninstalling

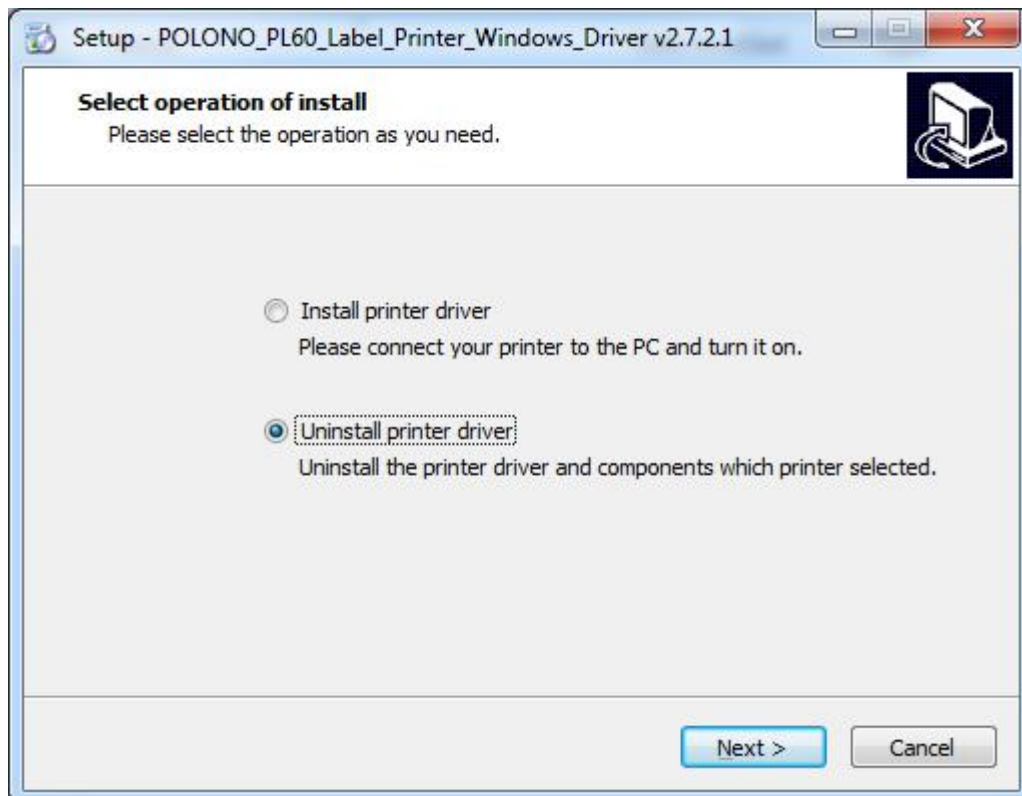


Note: Please power off the printer or unplug the USB cable from the computer or printer before uninstalling.

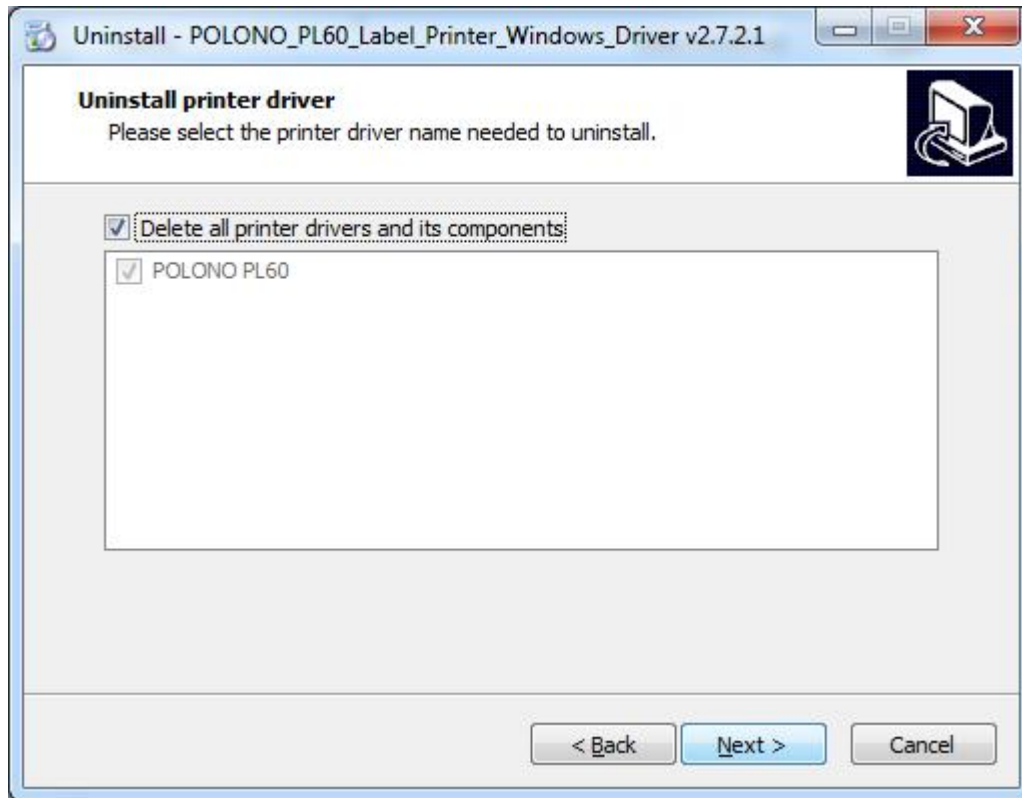
1. Double click the Windows Driver.



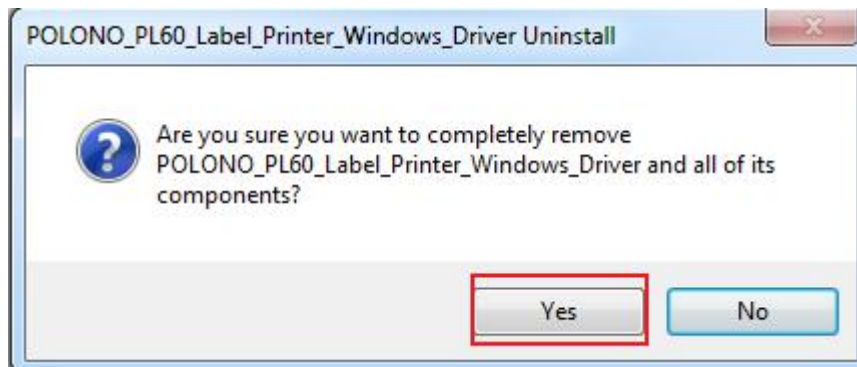
2. Choose “Uninstall printer driver”, then click “Next”.

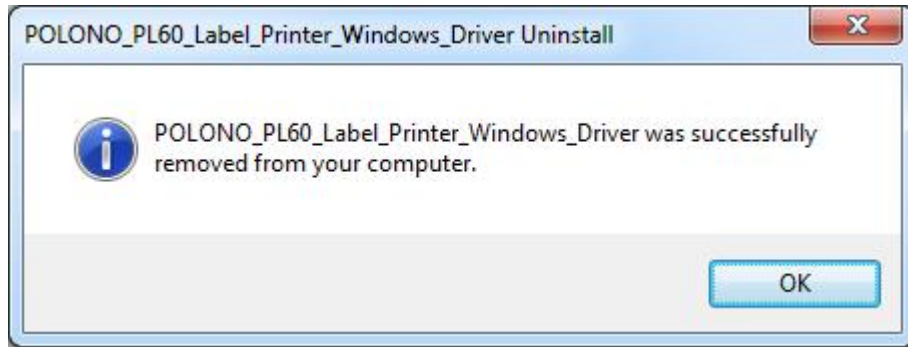


3. Select the printer driver from the list, then click "Next".



4. Click "Yes".





CHAPTER 6 Mac DRIVER INSTRUCTION

Note:to down driver file, visit

<https://polono.com/blogs/index/how-to-install-the-driver> or use the driver files in the U disk to install.

6.1 Manual Information

This Driver Installation Manual provides information on the installation process on a macOS operating system.

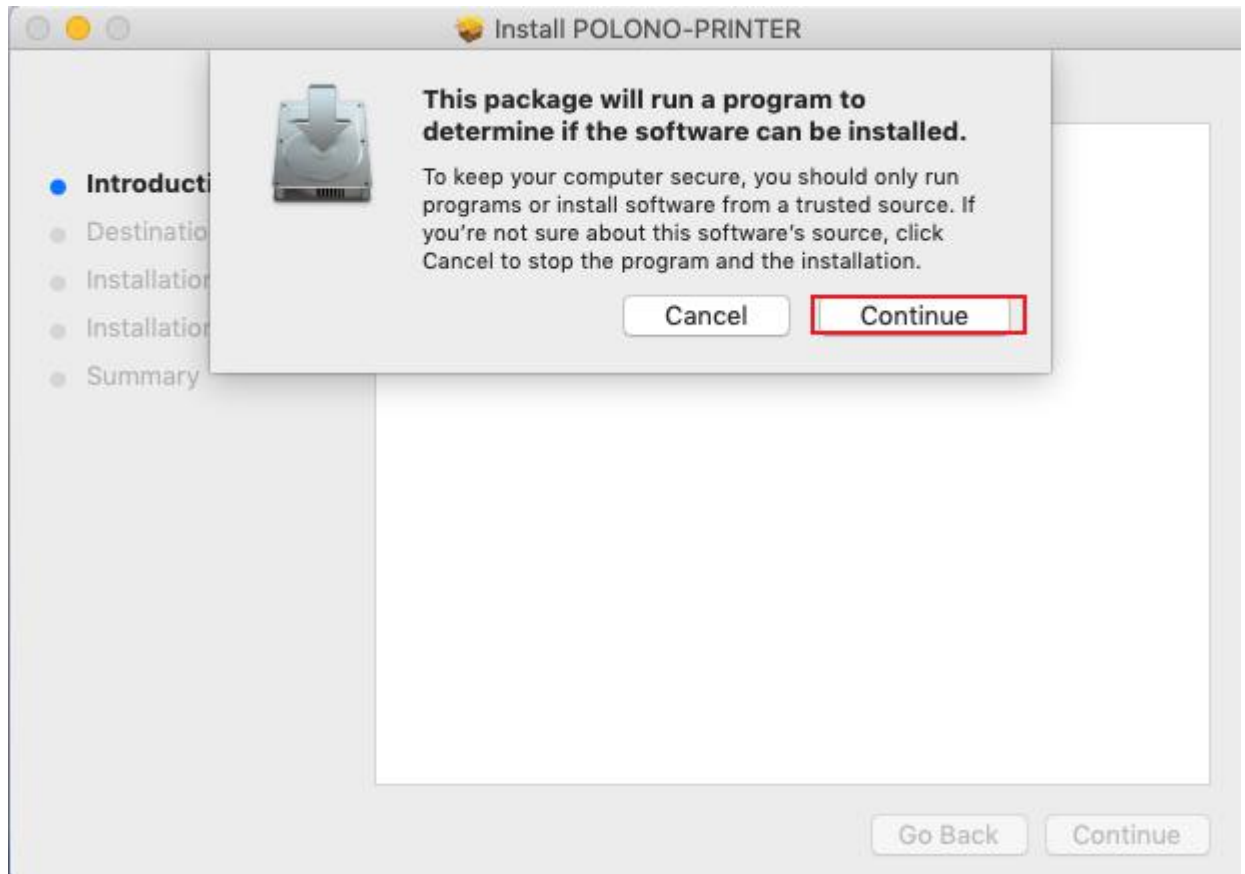
6.2 Driver Preparation for macOS

The driver of the installation file name is “POLONO-PL60-printer-driver-v1.3.0”

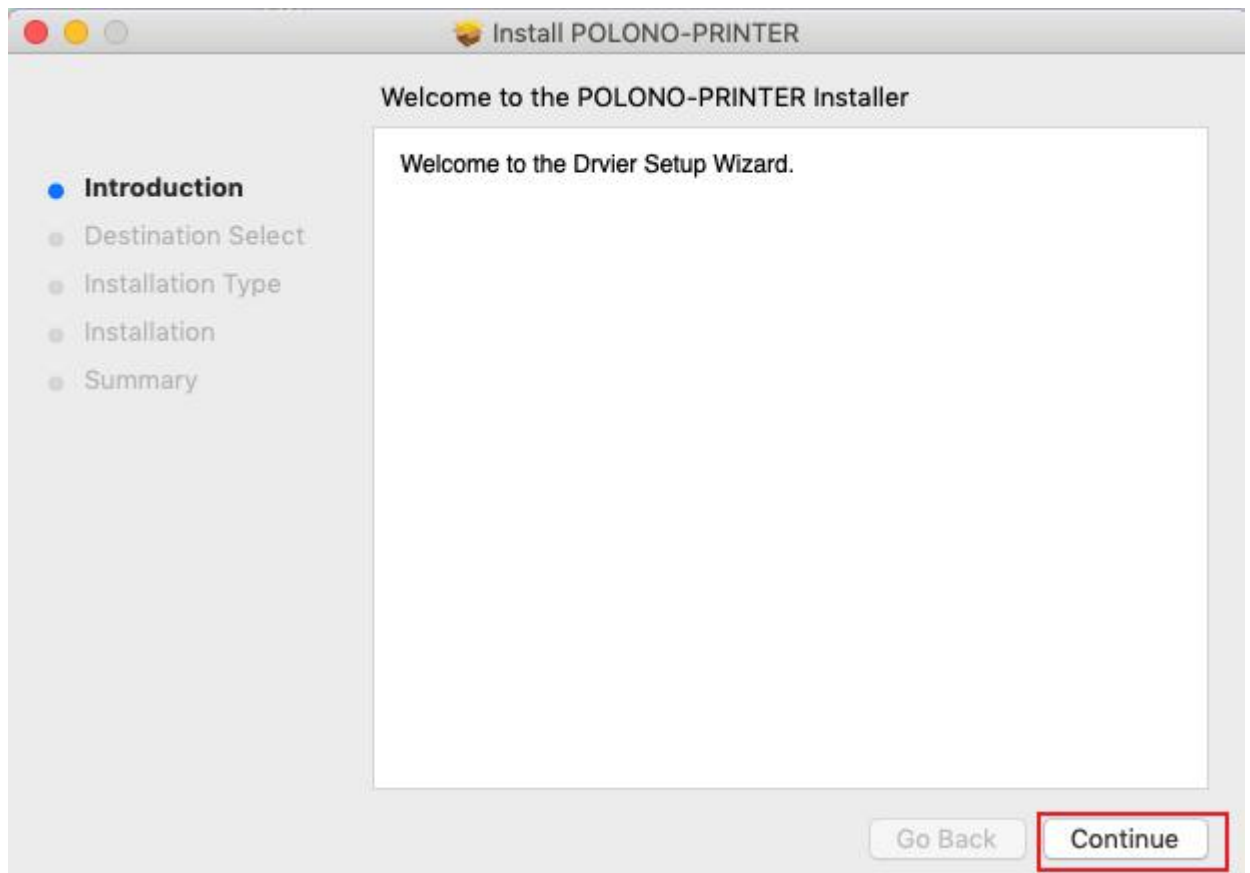
6.3 Driver Installation for macOS

The following instructions reference the macOS 10.15 installation. You may notice slight differences in the interface on a different operating system or version of the driver.

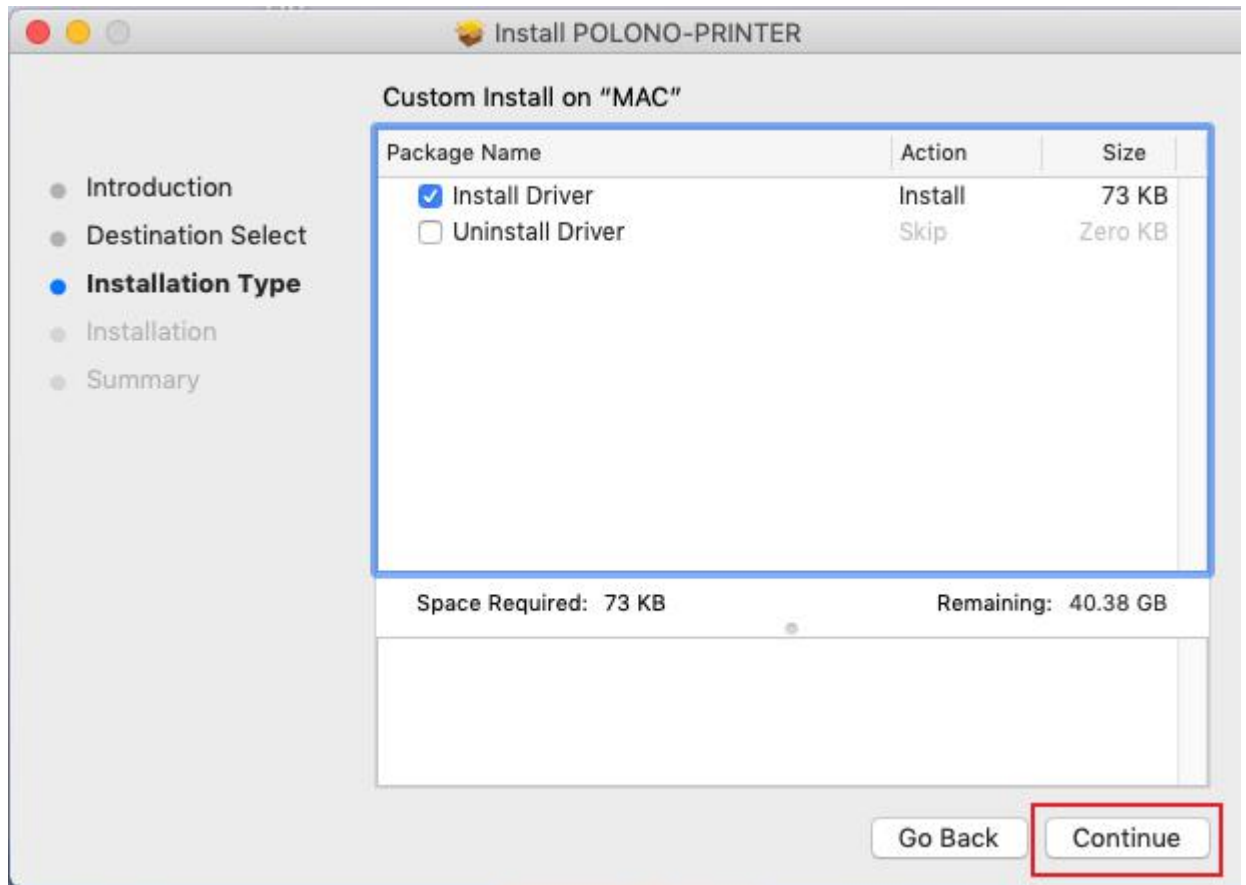
- 1.Double click the Driver and click “Continue”.

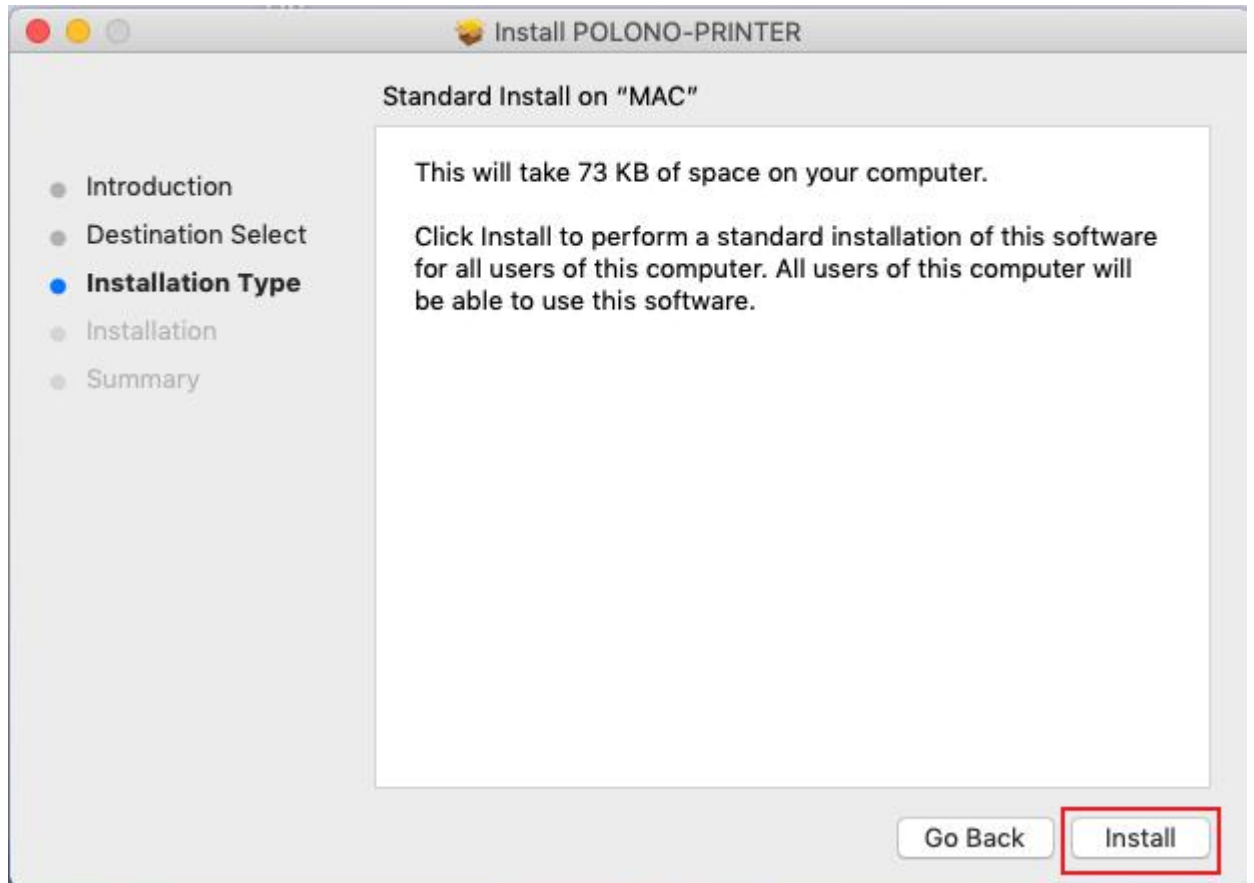


2. Select a destination and click "Continue".

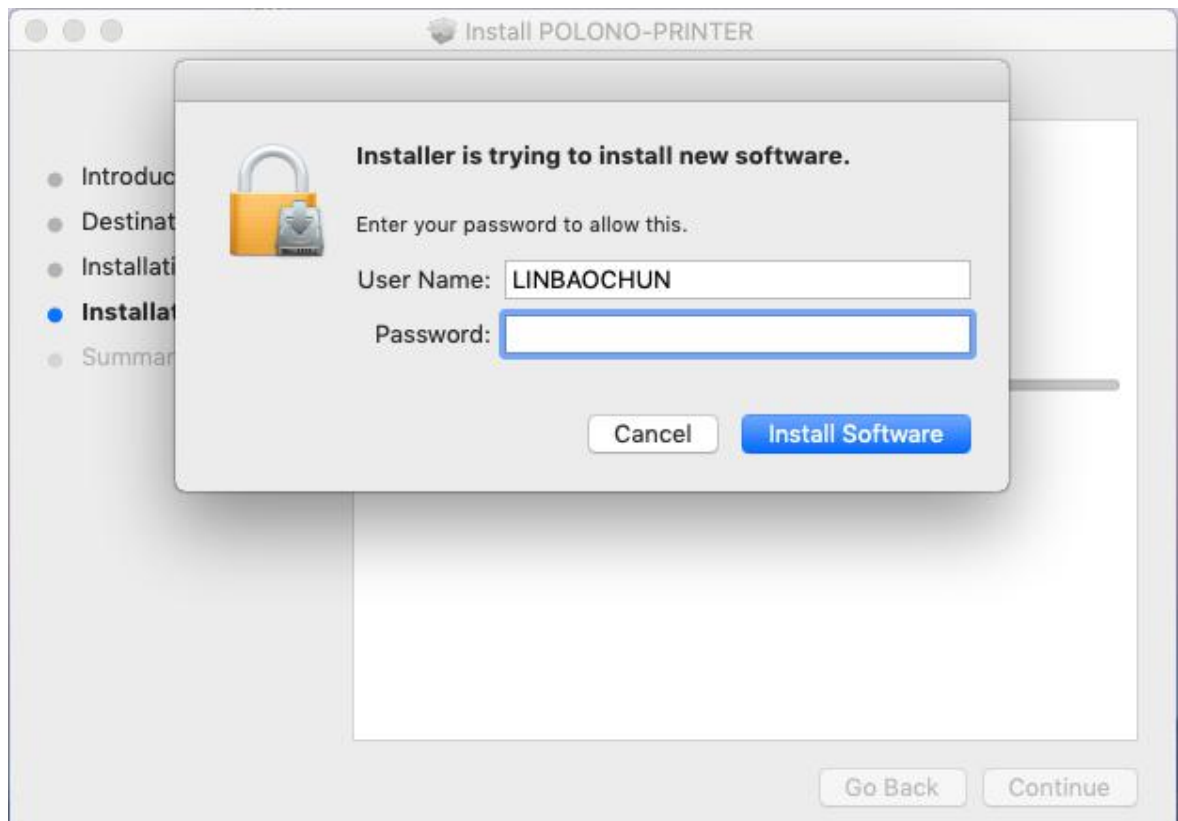


3. Choose "Installation Type" and click "Continue" -> "Install".

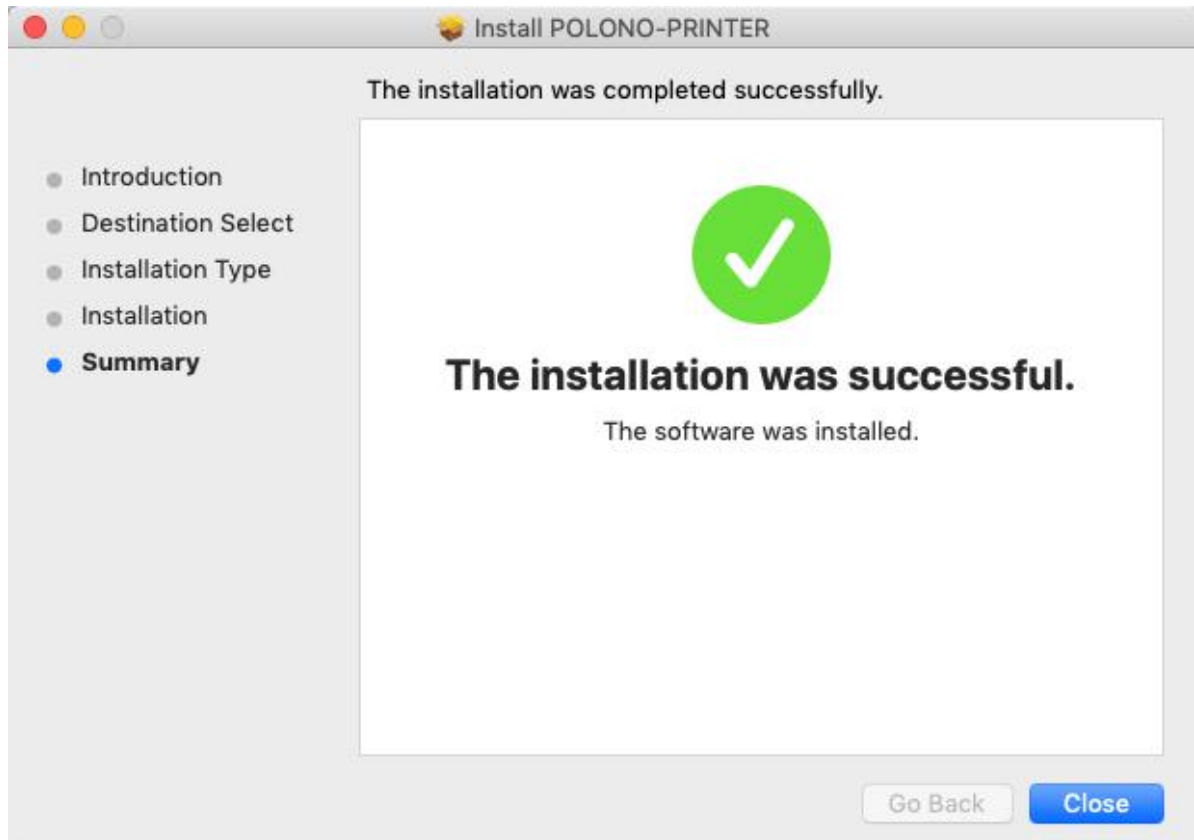




4.Type in the password of your to proceed with the installation.

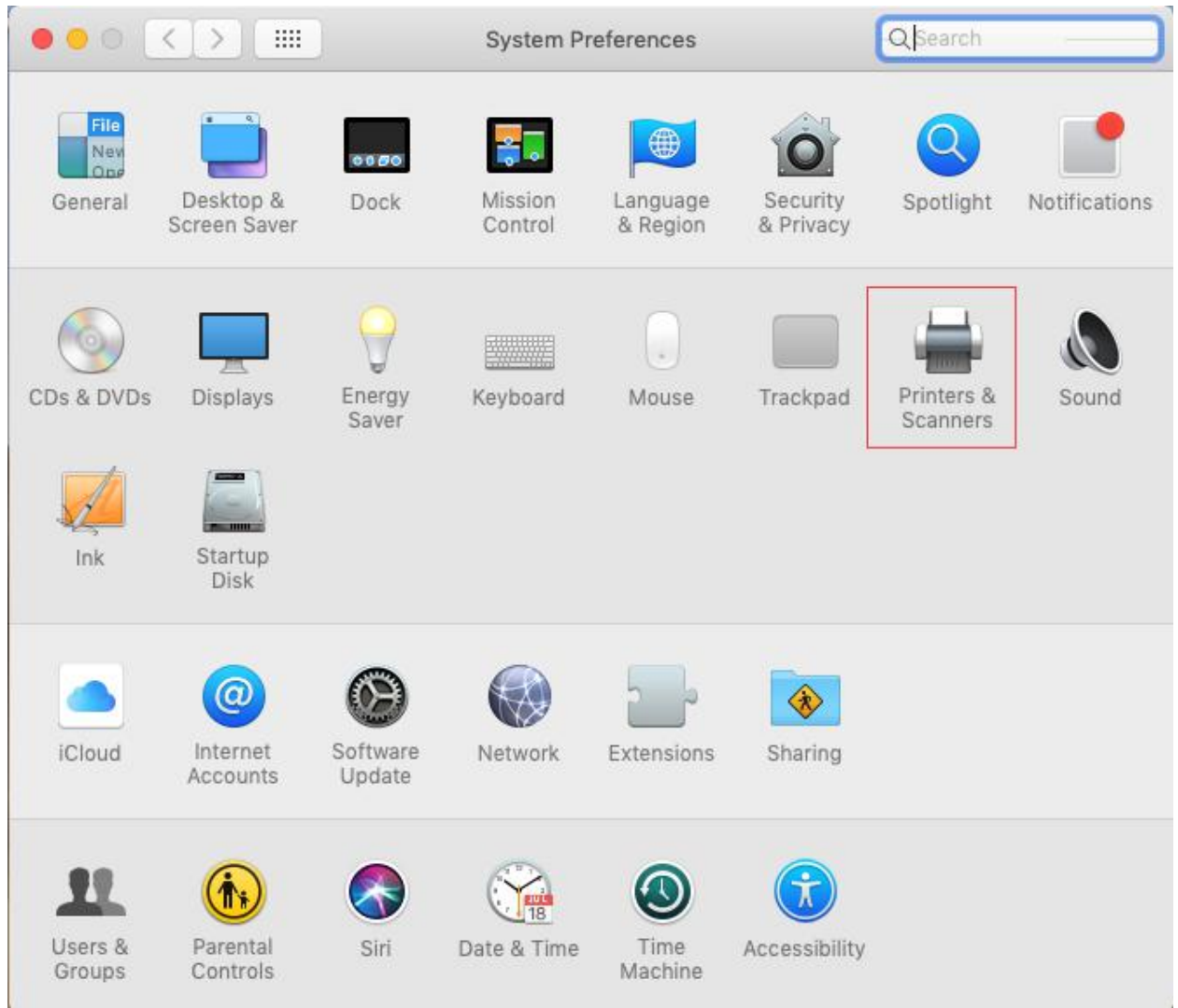


5.The installation was successful.

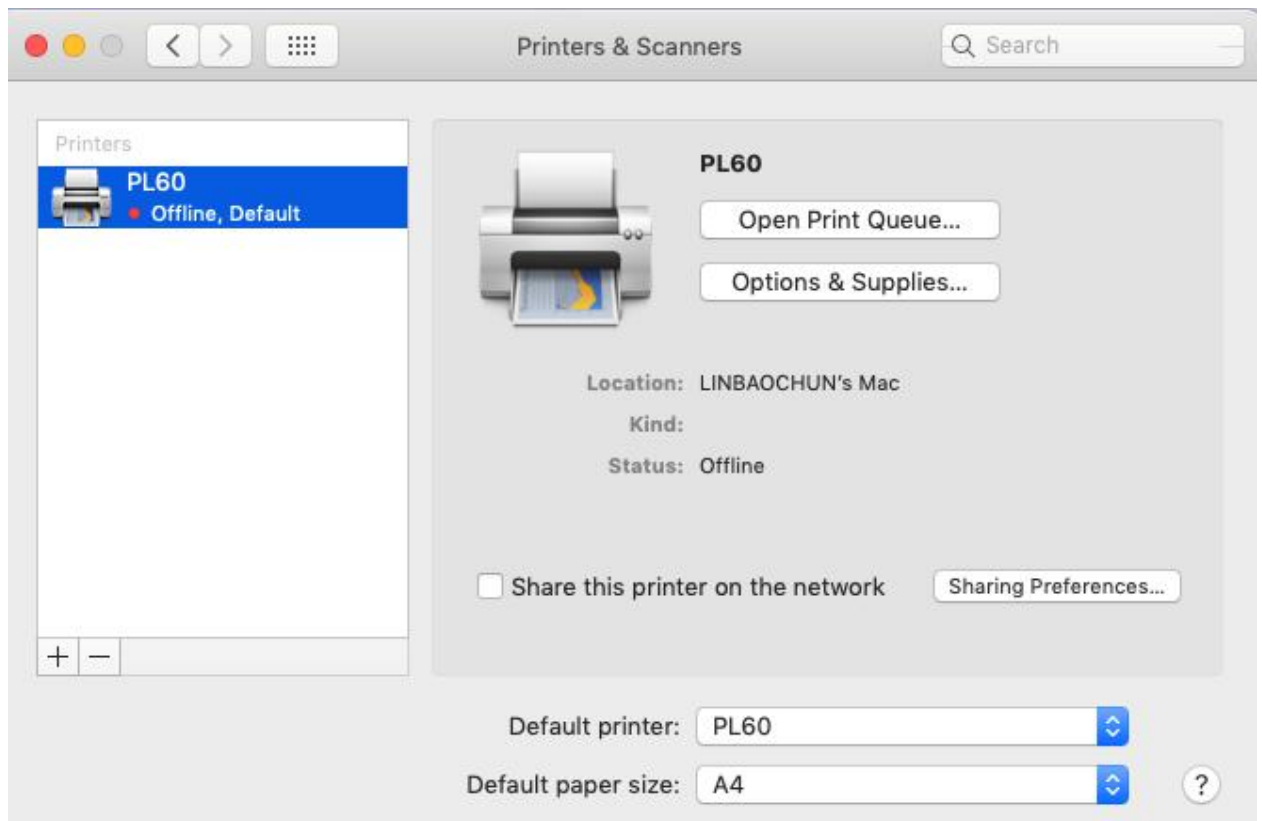


6. Power on the printer (for example: PL60) and connect it to your computer (for example: via USB cable)

7. Click: Launchpad -> System Preferences -> Printers & Scanners.



8.Under “Printer & Scanner”, printer PL60 is available.



CHAPTER 7 LINUX DRIVER INSTRUCTION

Note: To download driver file, visit

<https://polono.com/blogs/index/how-to-install-the-driver>

7.1 Manual Information

This Linux Driver Installation Manual provides information on installation and usage of the printer's Linux Driver according to the PC operating system (OS).

We maintain ongoing efforts to enhance and upgrade the functions and quality of all our products. As follows, product specifications and/or user manual content may be changed without prior notice.

7.2 Operating System (OS) Environment

1. The following operating systems are supported for usage:

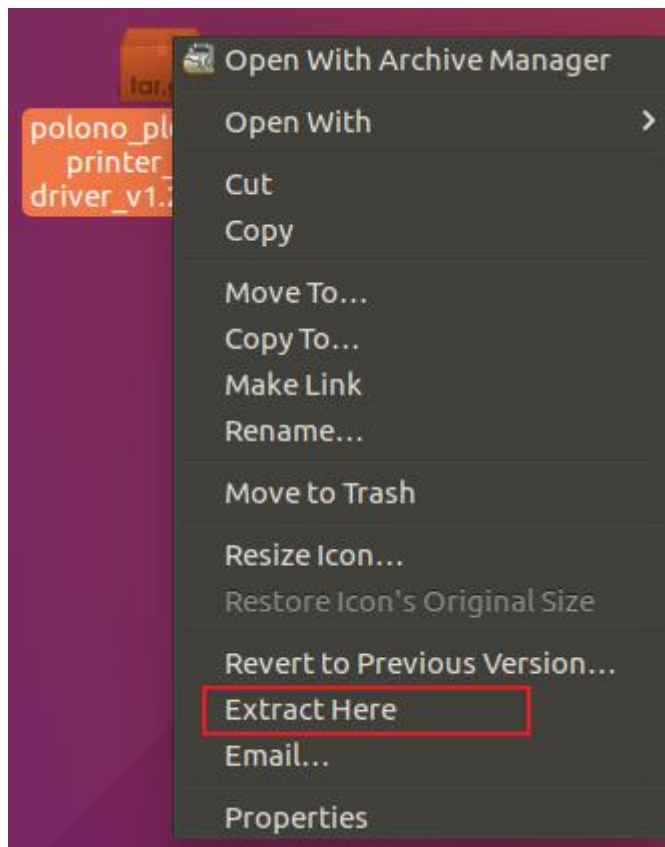
- Linux (64bit/86bit)

2. Centos 6.5 operating system is not supported for usage.

7.3 Linux Driver Installation

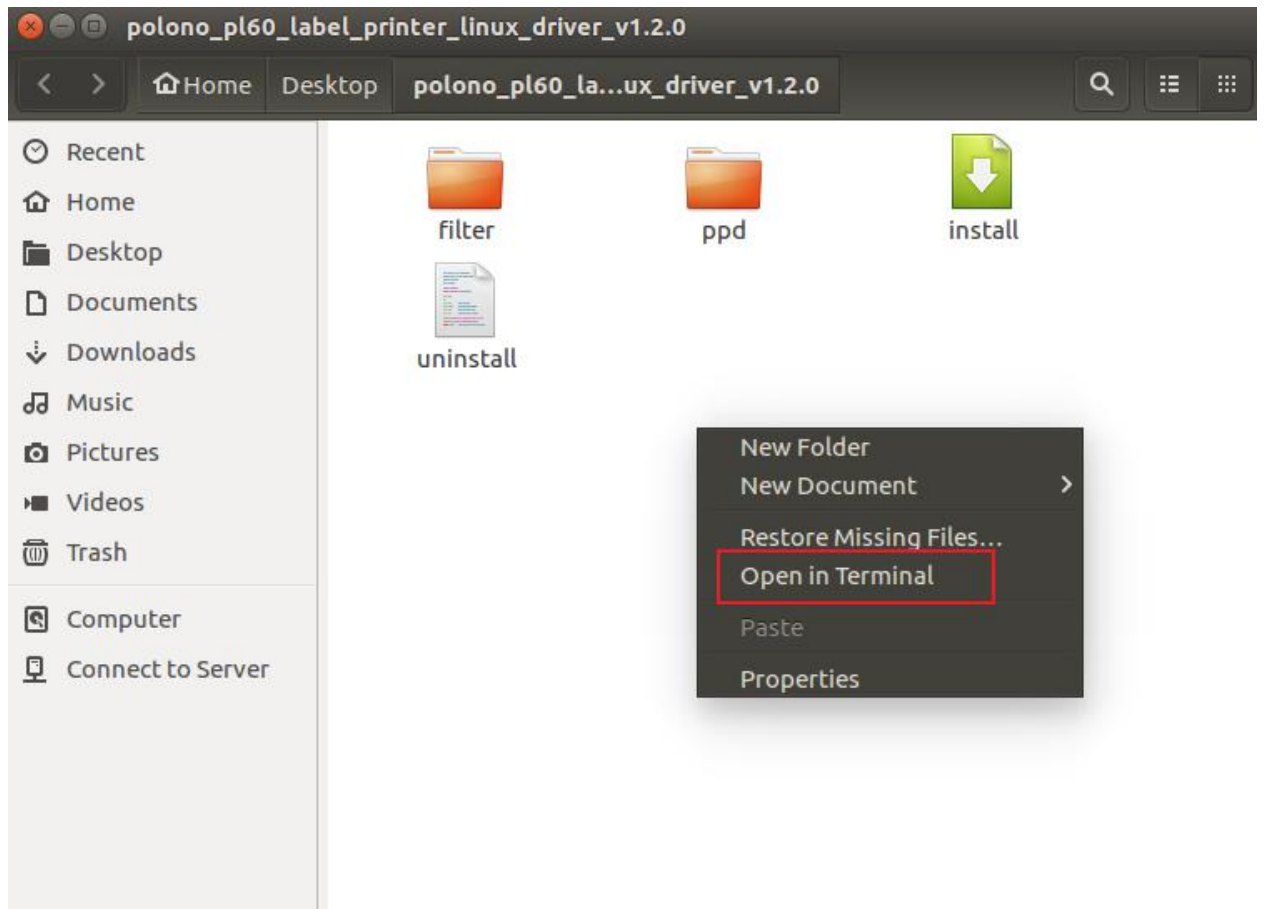
The following instructions reference the Linux (64 bit) installation. You may notice slight differences in the interface on a different operating system or version of the driver.

1. Unzip the installation package, right-click and select "Extract Here".



2. Double click the file.

3. Right-click in the blank space and select “Open in Terminal”.



4. Open the terminal and Input: `sudo ./install`, then press the Enter key.

```
test@test-virtual-machine: ~/Desktop/polono_pl60_label_printer_linux_driver_v1.2.0
test@test-virtual-machine:~/Desktop/polono_pl60_label_printer_linux_driver_v1.2.
0$ sudo ./install
```

5. Input the password for test and press the Enter key.

```
test@test-virtual-machine: ~/Desktop/polono_pl60_label_printer_linux_driver_v1.2.0
test@test-virtual-machine:~/Desktop/polono_pl60_label_printer_linux_driver_v1.2.0$ sudo ./install
[sudo] password for test:
```

6. Installation completed; the terminal shows the following information:

```
test@test-virtual-machine: ~/Desktop/polono_pl60_label_printer_linux_driver_v1.2.0
Searching for ServerRoot, ServerBin, and DataDir tags in /etc/cups/cupsd.conf
ServerBin tag not present in cupsd.conf - using default
DataDir tag not present in cupsd.conf - using default
Install raster filter ...
Install raster filter SUCCESS...
Install PPD files ...
Install PPD files SUCCESS...
Restarting CUPS
[....] Stopping cups (via systemctl): cups.serviceWarning: Stopping cups.service
, but it can still be activated by:
  cups.socket
  cups.path
. ok
[ ok ] Starting cups (via systemctl): cups.service.
Install Complete
Add printer queue using OS tool, http://localhost:631, or http://127.0.0.1:631
test@test-virtual-machine:~/Desktop/polono_pl60_label_printer_linux_driver_v1.2.0$
```

7. Input “system-config-printer” to open the printer.

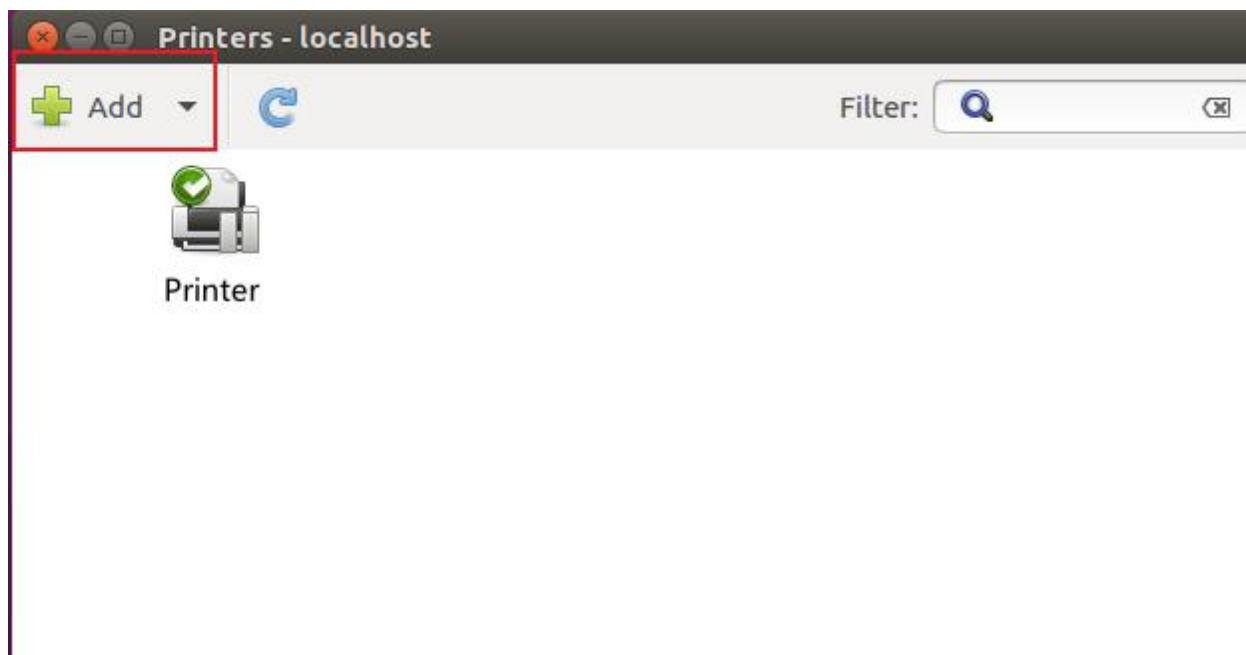
```
test@test-virtual-machine: ~/Desktop/polono_pl60_label_printer_linux_driver_v1.2.0
Searching for ServerRoot, ServerBin, and DataDir tags in /etc/cups/cupsd.conf
ServerBin tag not present in cupsd.conf - using default
DataDir tag not present in cupsd.conf - using default
Install raster filter ...
Install raster filter SUCCESS...
Install PPD files ...
Install PPD files SUCCESS...
Restarting CUPS
[....] Stopping cups (via systemctl): cups.serviceWarning: Stopping cups.service
, but it can still be activated by:
  cups.socket
  cups.path
. ok
[ ok ] Starting cups (via systemctl): cups.service.
Install Complete
Add printer queue using OS tool, http://localhost:631, or http://127.0.0.1:631
test@test-virtual-machine:~/Desktop/polono_pl60_label_printer_linux_driver_v1.2.0$ system-config-printer
```

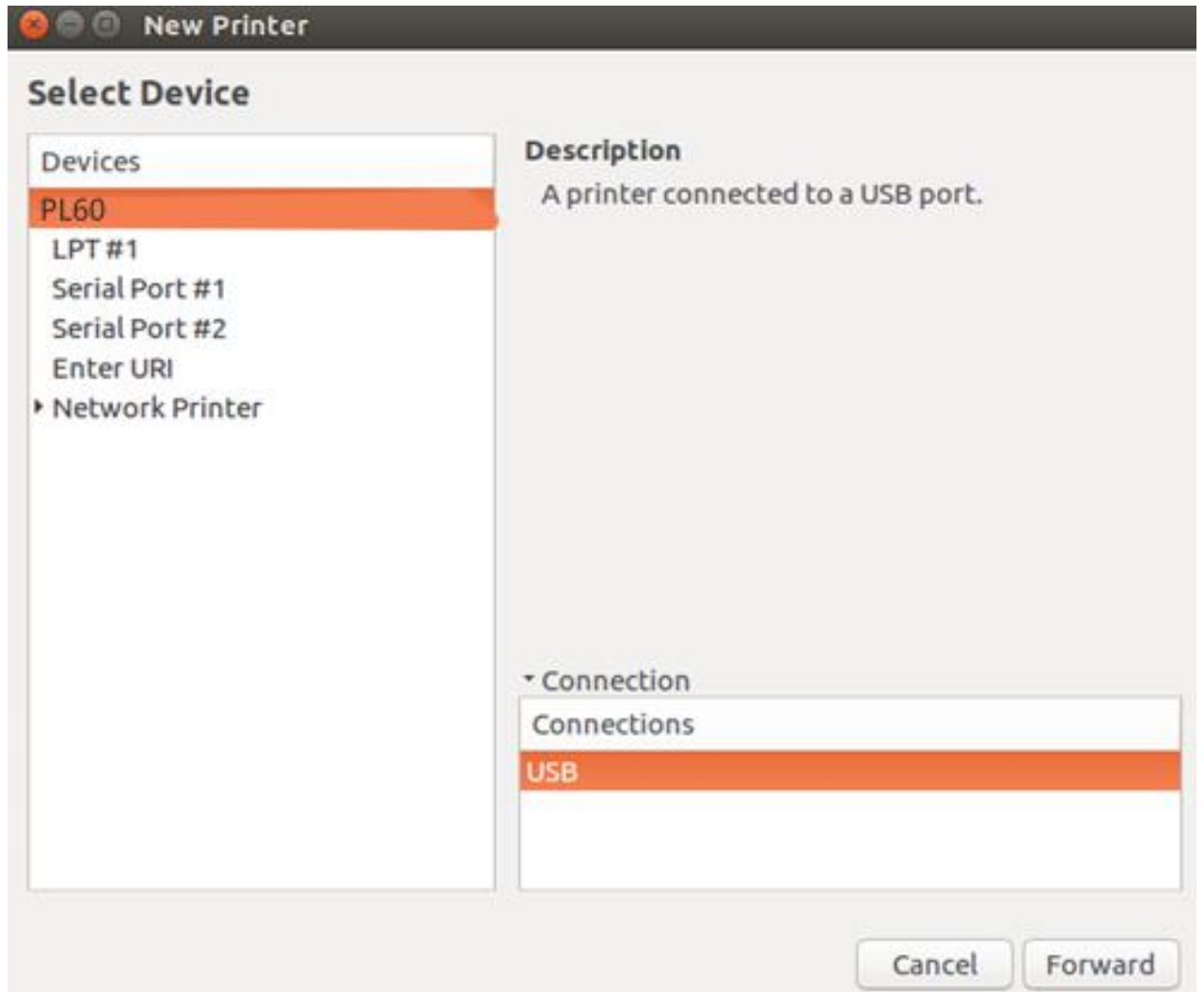
8. Connect the printer to the PC, the printer will be generated automatically.



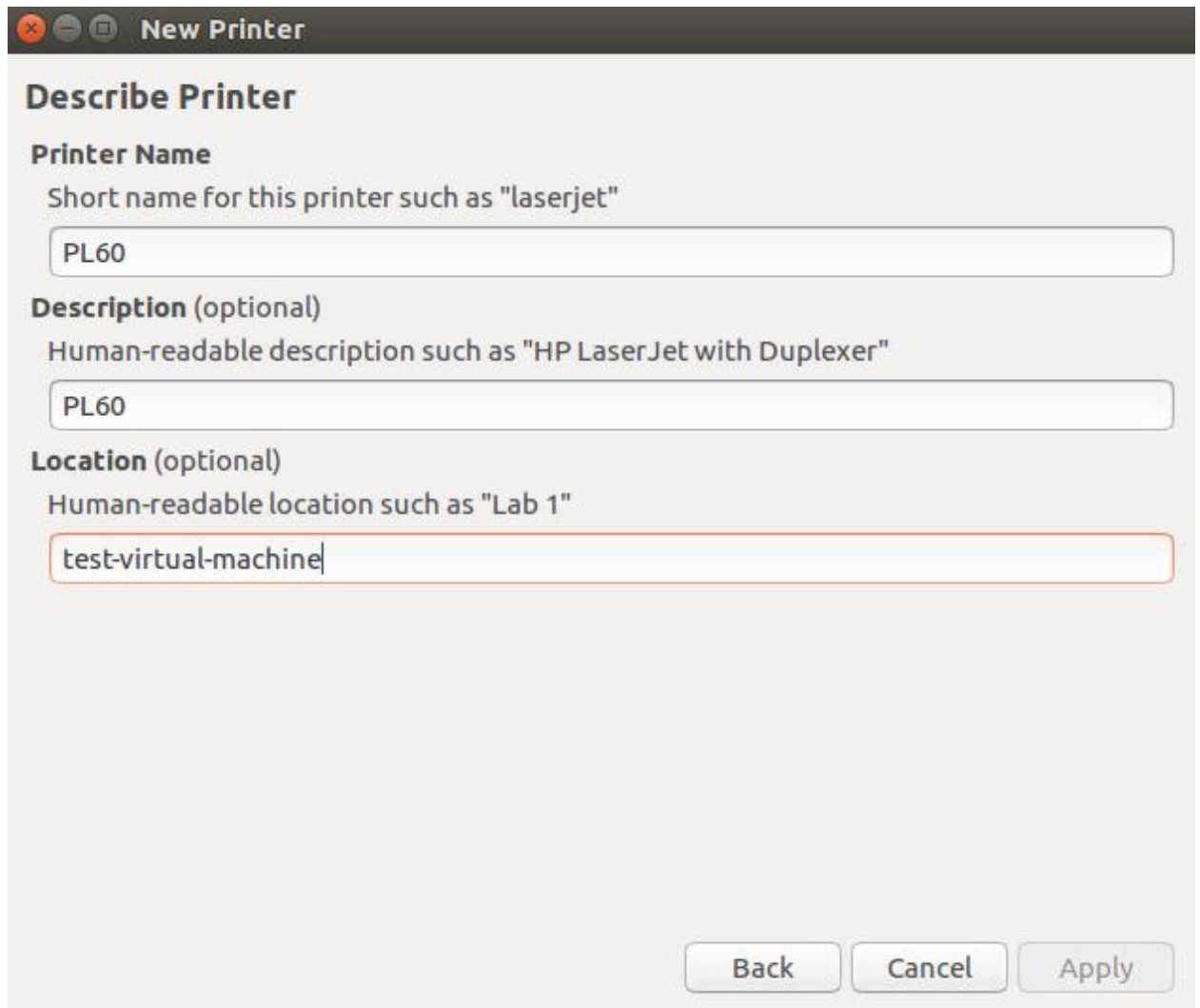
7.4 Detailed Linux Driver Settings

1. Add the printer and select the port of the device, then click “Forward”.



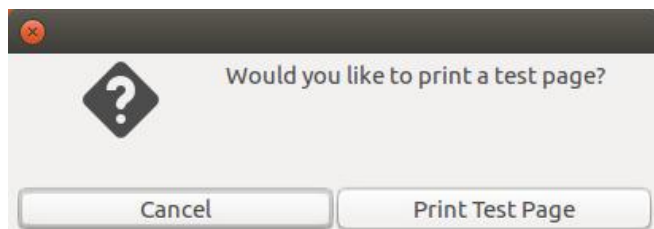


2. Describe printer, then click "Apply".



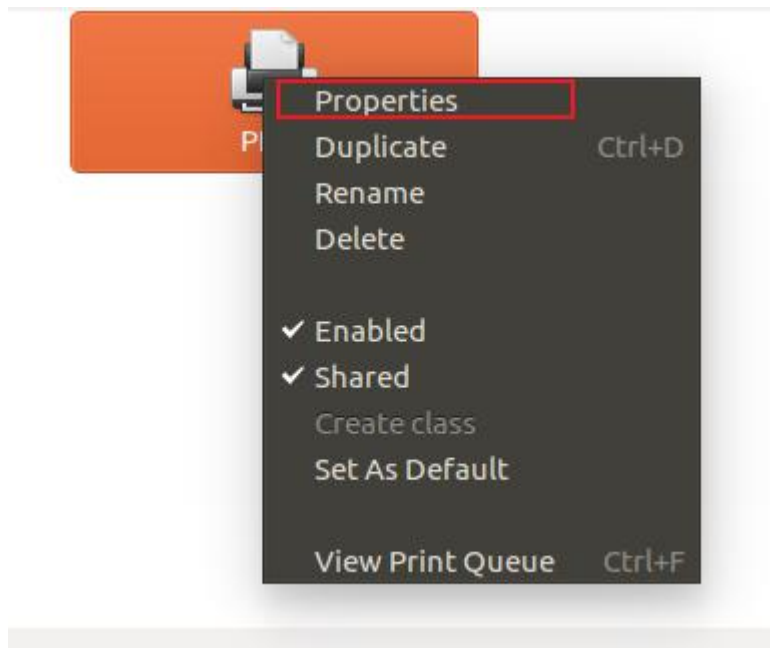
The screenshot shows a window titled "New Printer" with a "Describe Printer" section. It contains three input fields: "Printer Name" (containing "PL60"), "Description (optional)" (containing "PL60"), and "Location (optional)" (containing "test-virtual-machine"). At the bottom right, there are three buttons: "Back", "Cancel", and "Apply".

3. Choose whether to print a test page.



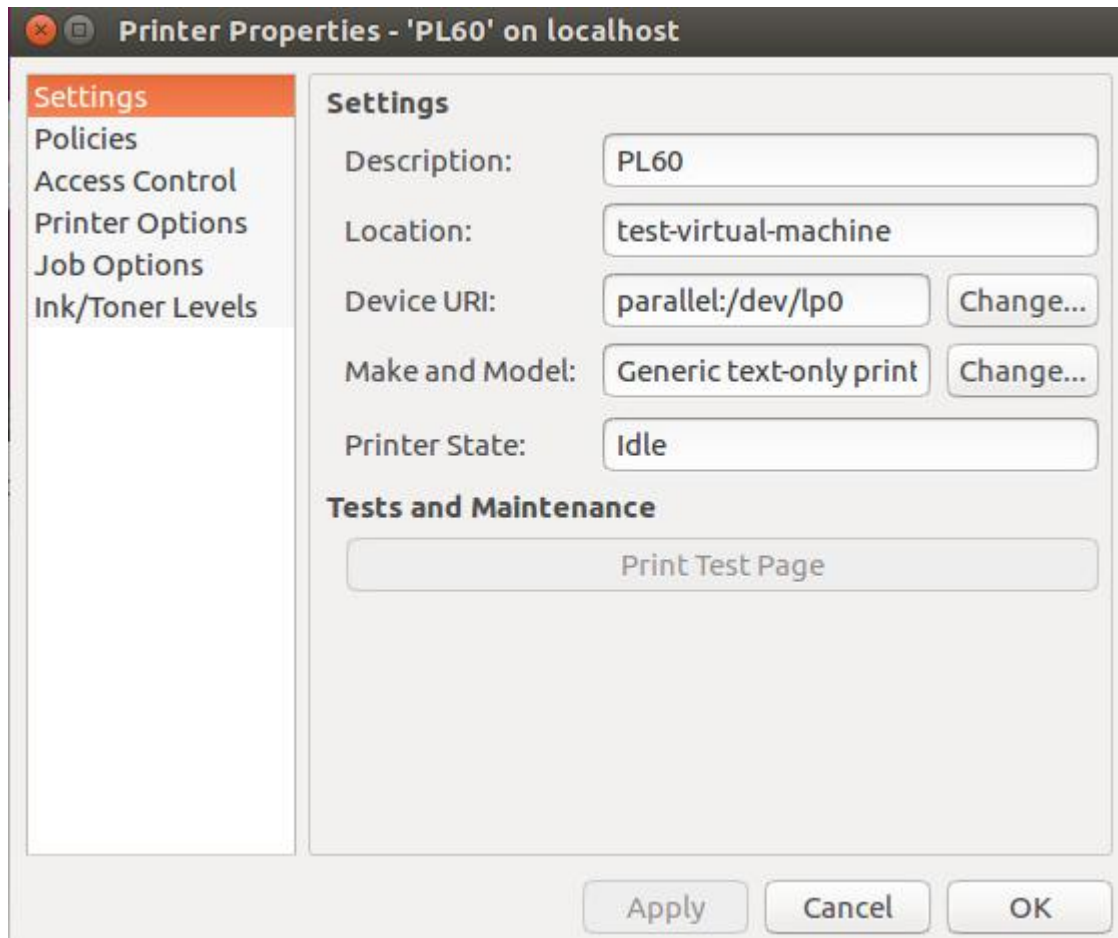
The screenshot shows a dialog box with a question mark icon and the text "Would you like to print a test page?". At the bottom, there are two buttons: "Cancel" and "Print Test Page".

4. Right click the “PL60”, choose the “Properties”.



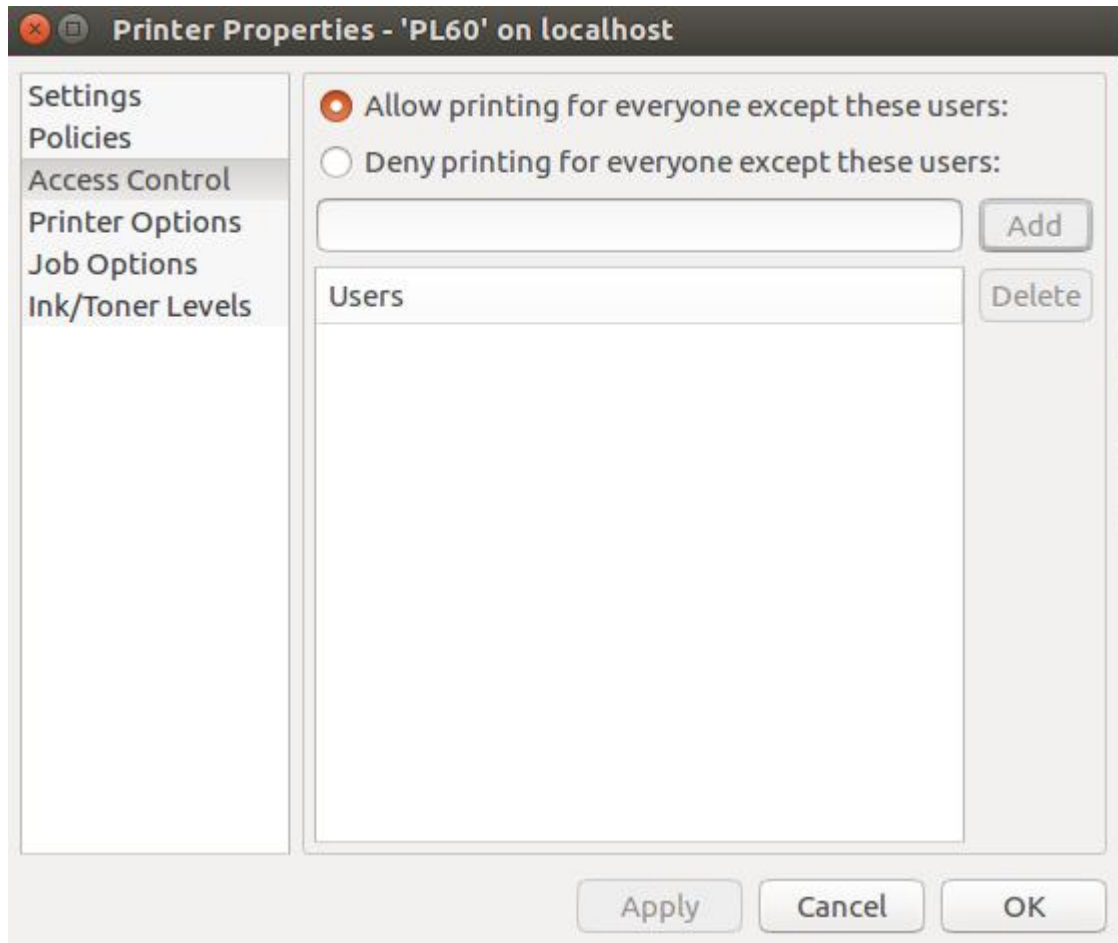
- Settings

Make the necessary changes and click “Apply”.



- Access Control

Make the necessary changes and click “Apply.”



- Printer Options

Make the necessary changes under “General,” “Printer Options,” and “Effectives” and click “Apply.”

The image shows a printer settings dialog box with a sidebar on the left and a main content area on the right. The sidebar contains the following menu items: Settings, Policies, Access Control, Printer Options (highlighted in orange), Job Options, and Ink/Toner Levels. The main content area is divided into three sections: General, Printer Options, and Effectives. The General section includes Media Size (4.00"x6.00"(101mm x 152mm)), Resolution (203 DPI), and Orientation (0 degrees). The Printer Options section includes Method, Type, Print Speed, Print Darkness, Start Position, Post-Print Action (Tear Off), and Stop Offset, all set to "Use Currently Printer Setting". The Effectives section includes two checkboxes: Mirror Image and Negative Image, both of which are unchecked. At the bottom right of the dialog box are three buttons: Apply, Cancel, and OK.

Section	Setting	Value
General	Media Size	4.00"x6.00"(101mm x 152mm)
	Resolution	203 DPI
	Orientation	0 degrees
Printer Options	Method	Use Currently Printer Setting
	Type	Use Currently Printer Setting
	Print Speed	Use Currently Printer Setting
	Print Darkness	Use Currently Printer Setting
	Start Position	Use Currently Printer Setting
	Post-Print Action	Tear Off
	Stop Offset	Use Currently Printer Setting
Effectives	Mirror Image	<input type="checkbox"/>
	Negative Image	<input type="checkbox"/>

- Job Options

Set the detailed default page and text options and click “Apply.”

Specify the default job options for this printer. Jobs arriving at this print server will have these options added if they are not already set by the application.

Common Options

Copies: - +

Orientation:

Scale to fit

Pages per side:

▸ More

Image Options

Mirror

Scaling: - + %

▸ More

Text Options

Characters per inch: - +

Lines per inch: - +

Left margin: - + points

Right margin: - + points

Top margin: - + points

Bottom margin: - + points

▸ More

Other Options (Advanced)

print-color-mode:

job-cancel-after: - +

- Ink/Toner Levels

