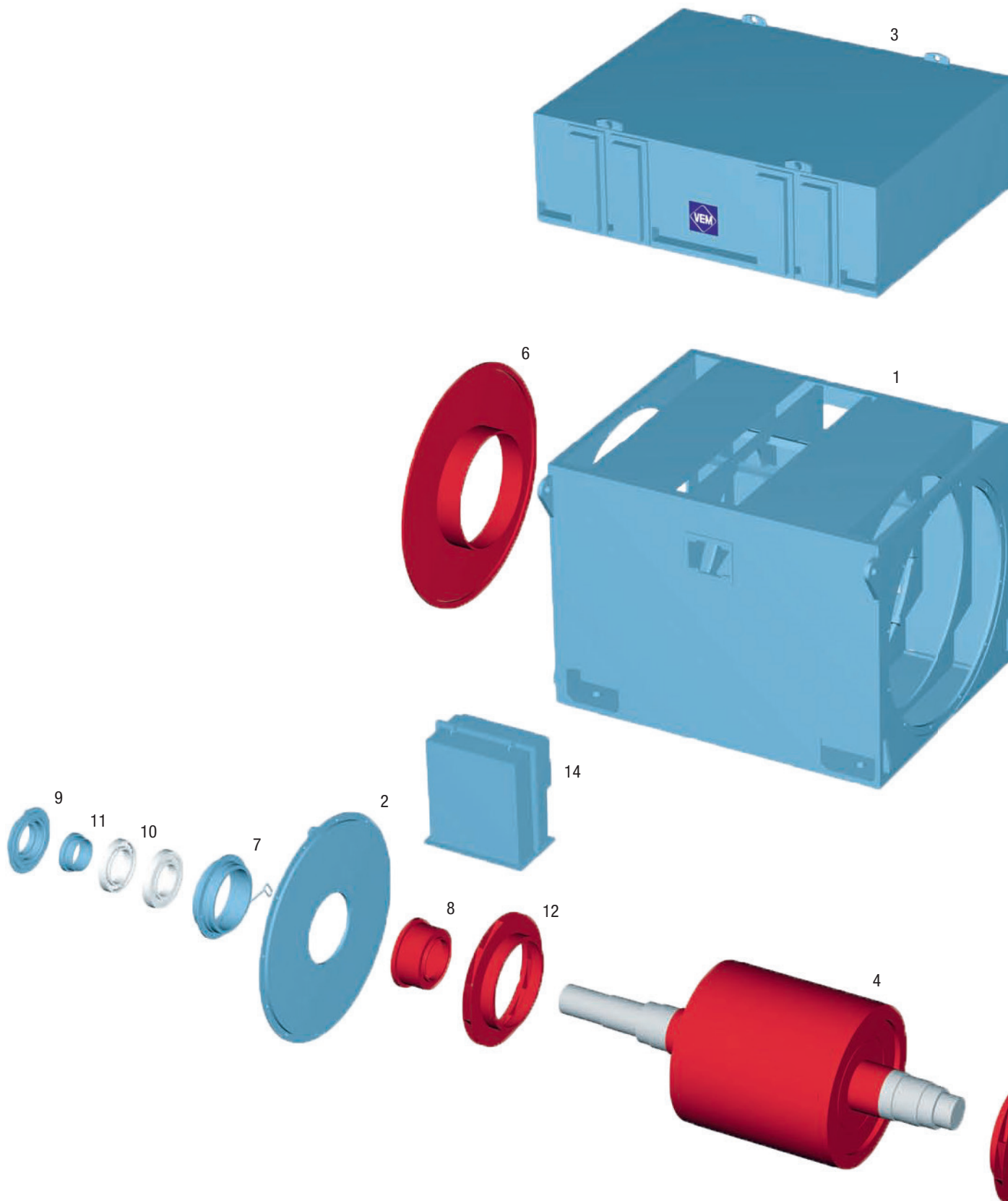


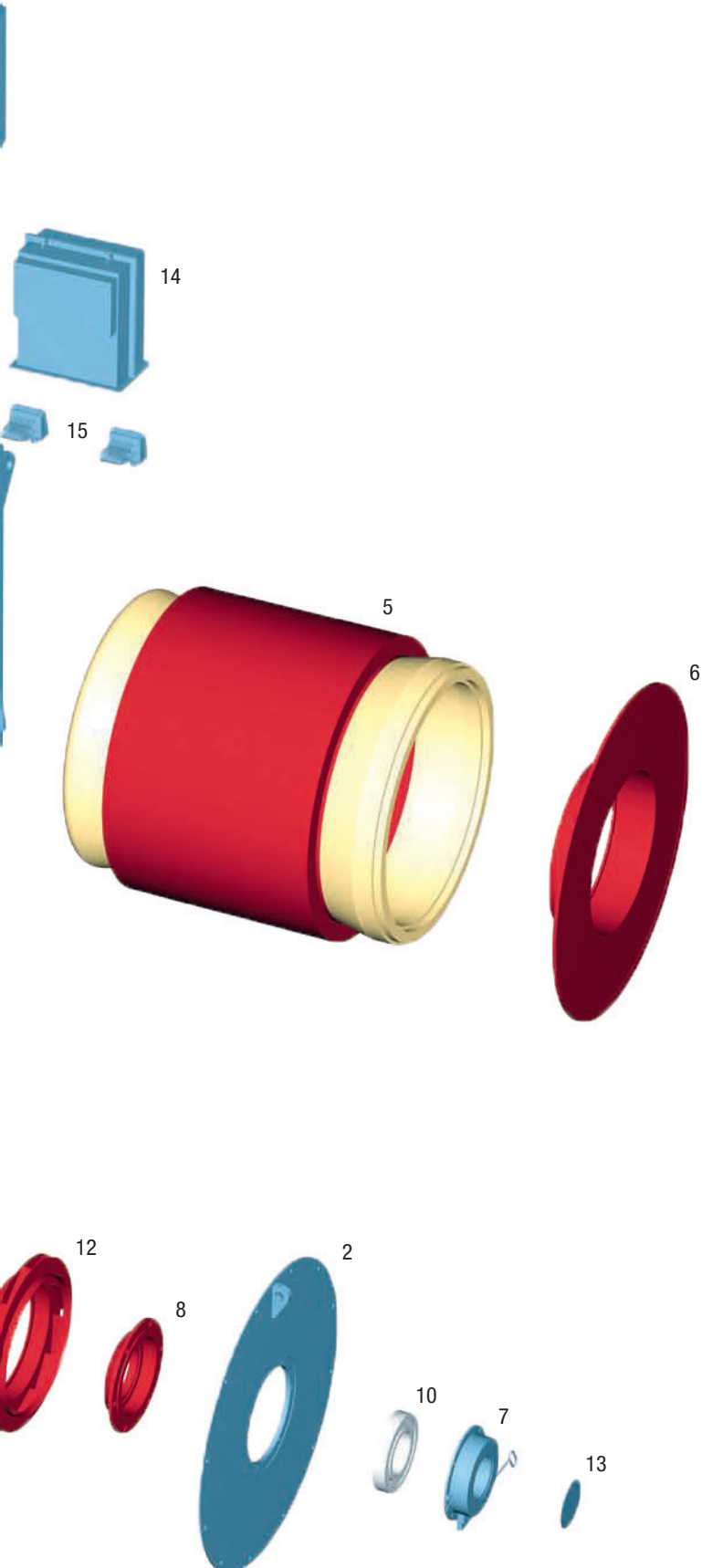


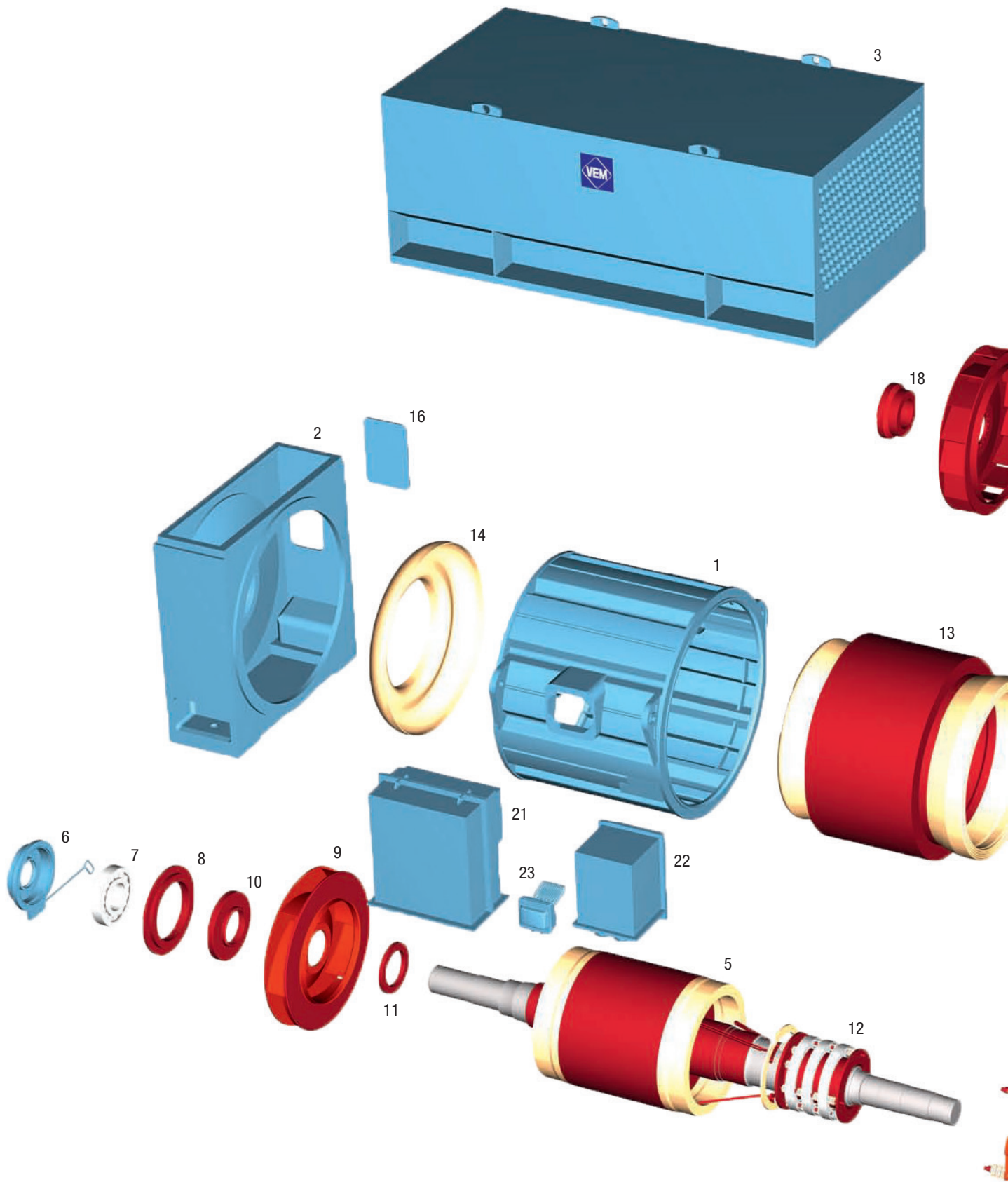
Schematic diagram



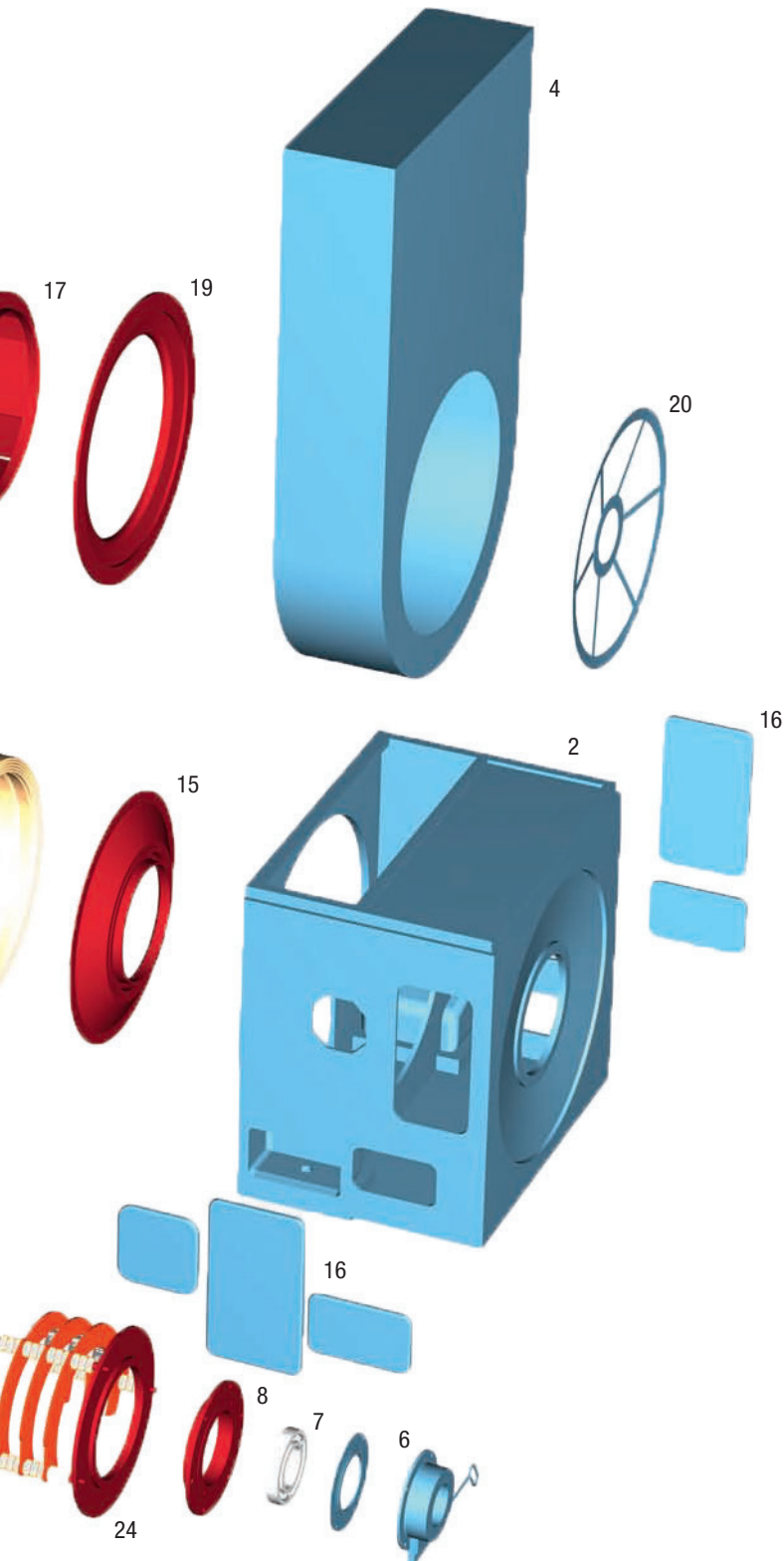
Three-phase high-voltage asynchronous motor with slipping rotor, air-water cooling, welded housing

- 1 Housing
- 2 End shield
- 3 Heat exchanger
- 4 Cage rotor
- 5 Laminated stator core with winding
- 6 Air baffle plate
- 7 Bearing housing with grease collector
- 8 Inner bearing cover
- 9 Outer bearing cover
- 10 Roller bearing
- 11 Bearing bushing
- 12 Fan
- 13 Cover
- 14 Terminal box
- 15 Anti-condensation heater





Three-phase high-voltage asynchronous motor with slipping rotor, air-air cooling, cast-iron housing



- 1 Housing
- 2 End shield
- 3 Heat exchanger
- 4 External fan housing
- 5 Rotor with winding
- 6 Bearing housing with external bearing cover and grease collector
- 7 Roller bearing
- 8 Inner bearing cover
- 9 Internal fan
- 10 Fan hub
- 11 Balancing ring
- 12 Slipping body
- 13 Laminated stator core with winding
- 14 Air baffle plate
- 15 Sealing ring
- 16 Cover
- 17 External fan
- 18 Fan hub for external fan
- 19 Air baffle plate
- 20 Intake grille
- 21 Terminal box (stator)
- 22 Terminal box (rotor)
- 23 Anti-condensation heater
- 24 Brush bridge