

PATRIOT 1

PRODUCT SPECIFICATIONS

PRODUCT DESCRIPTION:

This high-quality CNC-machined 6061 aluminum anodized Patriot 1 directional spotlight is weatherproof to withstand the test of time. Each fixture is individually inspected to ensure consistency for each finish variation to provide a superior look every time. This spotlight is suitable for all LED MR16 lamps to provide long lasting energy efficient lighting accents with different kelvin temperatures, wattages and optic beams.

FEATURES & BENEFITS

- Built in the U.S.A.
- Dual O-ring protection to completely seal the fixture and eliminate water entry
- Vacuum testing to ensure sustained protection against water intrusion
- Fully adjustable head allowing for 220 degree rotation
- Field Serviceable

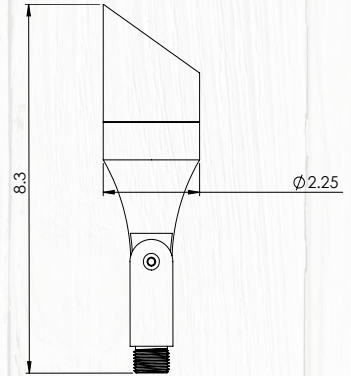
SPECIFICATIONS:

- **Construction:** Aircraft Grade 6061 Aluminum
- **Finish:** Stainless Aluminum or Black (Unweatherable Finish)
- **Lead Wire:** 18 Gauge Tin Coated Corrosion Free Wire- 10ft. Length
- **Lens:** Patented Compression Fit Lens
- **Light Source (sold separately):** LED MR16
- **Operation Voltage:** 12V-15V
- **Powered By:** Americana Lifetime Warranty Low Voltage Transformers

WARRANTY:

Lifetime Warranty on Housing
3 Year Warranty on Components

CERTIFICATIONS:



PRODUCT DIMENSIONS:

