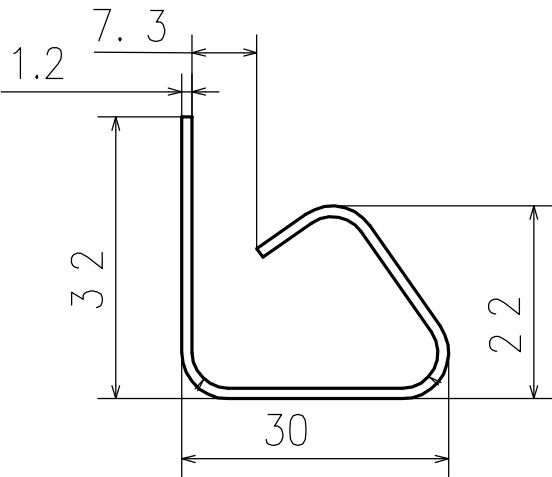


Standard duty hook-on-track 0984 - SD 0984 (24 hooks)

12 x ϕ 6.50



UNLESS OTHERWISE SPECIFIED: DIMENSIONS ARE IN MILLIMETERS - DEBUR AND BREAK SHARP EDGES - SURFACE FINISH: $\sqrt{Ra\ 0.1}$ - TOLERANCES: LINEAR = ± 0.5 mm - ANGULAR = $\pm 0.5^\circ$

TITLE:
Standard duty hook-on-track 0984 - SD 0984

	NAME	SIGNATURE	DATE CREATION	DATE REVISION	MATERIAL:
DRAWN	R. VIALIS		28/05/2007	25/02/2013	Stainless steel 201 Both face polished

DWG :	HOT SD	A4
SCALE:1:8	SHEET 1 OF 3	