

Product Name: **Byson Sliding Meat Rail System**
Product Code: **BYSMRAL**

Installation Resources

- Product photos from website
 - Full system: <https://bysonproducts.com/products/byson-sliding-meat-rail-system-kits>
 - Individual components (Channel Rail for Sliding Systems, Channel Support Clamp Sets, Channel Bends, Sliding Channel Hooks): <https://bysonproducts.com/collections/meat-hanging-accessories>
- Design sketch from installers, or Byson product experts
- This guidance document



Byson Sliding Rail System

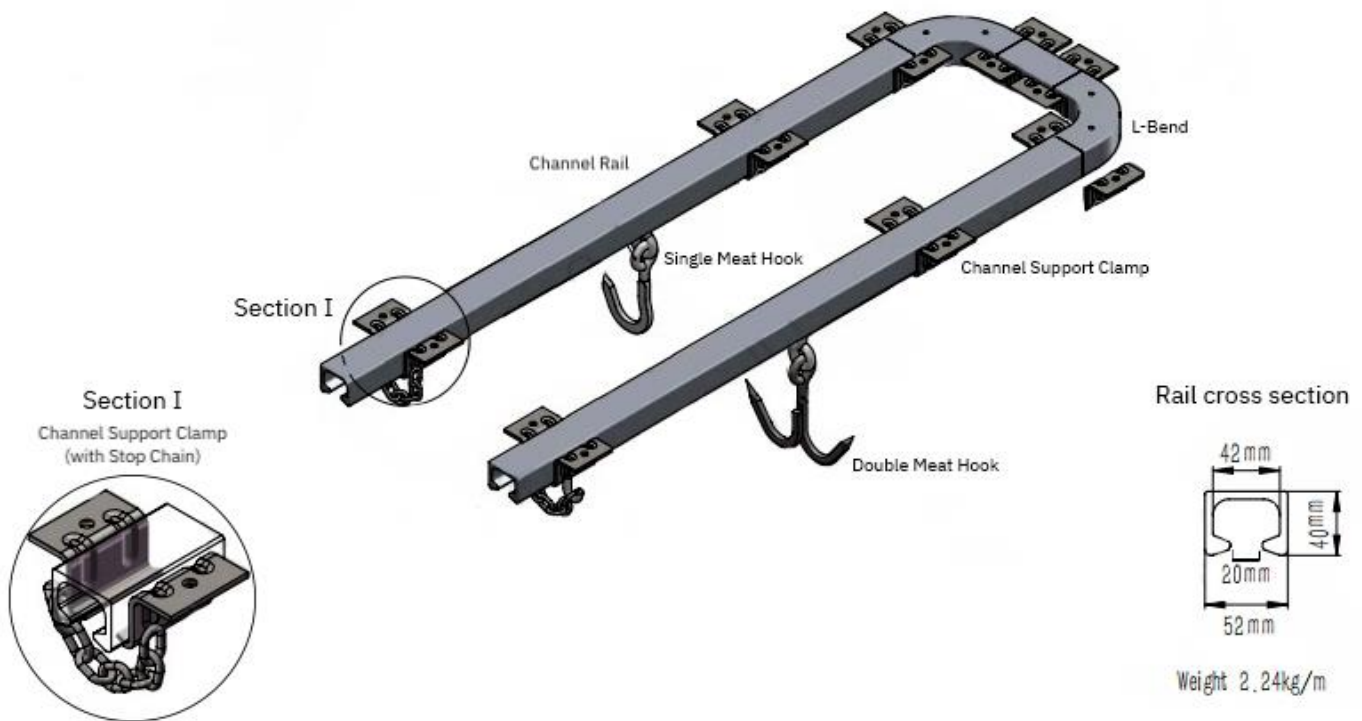


Figure 1: Byson Sliding Rail System Schematic



Installation Guidance

1. Lay out Channel Rail lengths, and any Channel Bends purchased, on ground in cooler as per design sketch from installers or Byson product experts
2. Place a Channel Support Clamp Set w/ Stop Chain (2 pieces/set) at each end, covering Rail ends
3. Place Channel Support Clamp Sets (without Stop Chain, 2 pieces/set) over all join points of provided Rail lengths and Bends
4. Place additional Support Clamp Sets along provided Rail lengths, such that spacing between Sets is no more than 24" at any point
5. Verify / record dimensions, and mark drill points for all Support Clamp Sets on inside ceiling of cooler
6. Drill through drill points on cooler ceiling
7. On the outside roof of cooler, use drilled holes to position cross support beams (not provided) perpendicular to main runs (refer to the design sketch) of rail system
 - Support beams can be regular wood 2x4s or similar if cooler is indoors, or similar sized treated wood / angle irons if outdoors
8. Secure support beams (as dictated by site conditions)
9. Drill through support beams to match holes in cooler ceiling
10. Starting at one end and working towards other end of rail system, hold Rail lengths and Bends in place on cooler ceiling with Support Clamp Sets, and secure Clamp Sets with hardware (not included)
 - **Important:** ensure tight/snug abutting of adjacent Rail lengths and Bends at join points to promote free sliding of loaded Channel meat Hooks along rail system once installed
 - Common hardware includes 2 x 5/16" (M8) bolt (length as per site conditions) + nut sets and 4x washers per Support Clamp Set
 - Using above hardware as example for one Support Clamp Set:
 1. Thread one washer through a bolt
 2. Thread bolt up through one Support Clamp piece, through cooler ceiling, and finally through support beam
 3. Thread one washer on to bolt and secure with nut
 4. Repeat for other Support Clamp Piece
11. Slide Channel meat Hooks into channels
12. Close off Support Clamp Sets w/ Stop Chain by attaching chain to hook