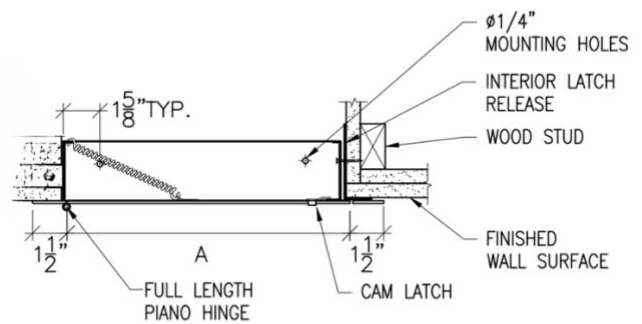
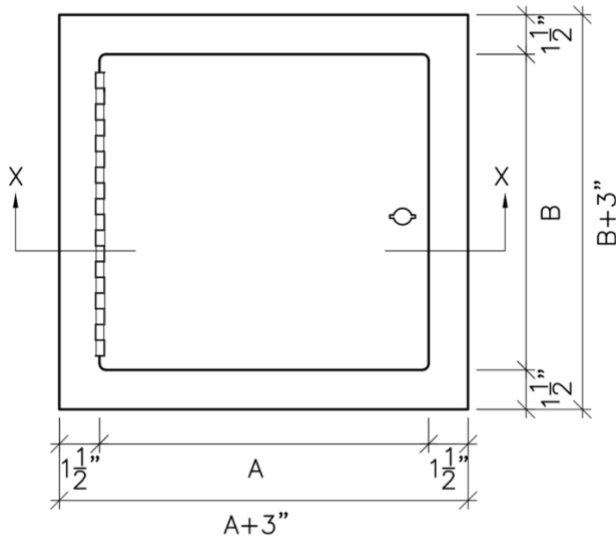




**Product Name:**     **Byson Steel Access Panel – Fire Rated (uninsulated)**  
**Product Code:**    **BYMAPFU**

**General Schematic**



**Definitions**

- Neck size:     Nominally cited in listing title. Size of the opening that would be cut into the wall/ceiling to install the access panel. Depicted via A, B in schematic
- Overall size:   Total size of access panel as visible once installed. Depicted via A+3", B+3"



## Size chart

---

Product number	Neck size AXB (in)	Overall size (in)	Slam Latch
BYMAPFU-0808	8X8	11X11	1
BYMAPFU-1010	10X10	13X13	1
BYMAPFU-1212	12X12	15X15	1
BYMAPFU-1414	14X14	17X17	1
BYMAPFU-1616	16X16	19X19	1
BYMAPFU-1818	18X18	21X21	1
BYMAPFU-2020	20X20	23X23	1
BYMAPFU-2424	24X24	27X27	1
BYMAPFU-2430	24X30	27X33	2

## Other specifications:

---

- Made in Canada
- This panel is designed for vertical (ie wall) applications only as code allows. It is not insulated and can only be installed in environments where temperature rise is not a concern
- UL Listed "B" label for 1-1/2 hours. File # R10364C UL US
- Door and Trim:
  - 1 1/2" trim for easy flush application into various wall finishes
  - 14 ga. cold rolled steel
- Box Return Frame: 16 ga. cold rolled steel, 2 1/2" deep frame
- Hinge: 180 degree full length piano hinge
- Latch: Self latching lock with key and knurled knob
- Automatic Door Closer: Standard
- Inside Release Latch: Standard
- Finish: White powder coat paintable finish
- Sleek Design: The clean and minimalist design of this access panel seamlessly blends into any environment, providing a polished finish to your walls. The white metal finish complements a wide range of decor styles, enhancing the aesthetics of your space

## Installation Guidance

---

Install with screws (not included) using the holes in the frame, as depicted in schematic. Rough wall opening = door size + 1/4".



## Warranty

---

*Byson (the “Corporation”), through its supplier, warrants these metal access doors to be free from defects in material and workmanship for a period of one (1) year from the date of purchase (the “Warranty Period”). During the Warranty Period, any such defects will, at the Corporation’s option, be either repaired or the defective metal access door replaced. This warranty does not cover defects resulting from modifications, alterations, misuse, accident or abnormal condition of operation, exposure to corrosive conditions or improper installation or maintenance. All implied warranties, including, but not limited to warranties of fitness for purpose and merchantability, are limited to the period as stated above. The Corporation shall not be liable for any special, indirect, incidental or consequential damages or losses, including loss of profits. This warranty will be the buyer’s sole and exclusive remedy and the Corporation neither assumes nor authorizes any representative or other person to assume for it any obligation or liability other than as expressly set forth herein. Since some countries or states do not allow limitation of the term of an implied warranty, or exclusion or limitation of incidental or consequential damages, the limitations and exclusions of this warranty may not apply to every buyer. If any provision of this warranty is held invalid or unenforceable by a court of competent jurisdiction, such holding will not affect the validity or enforceability of any other provision.*