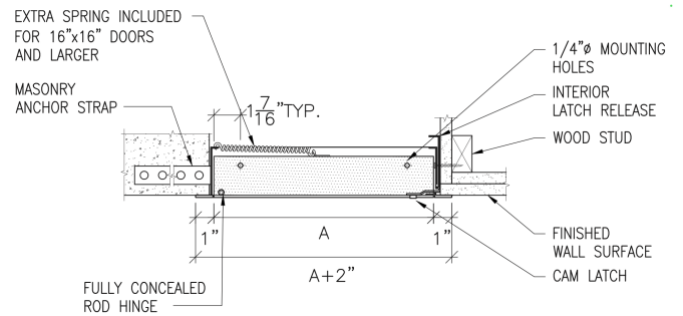
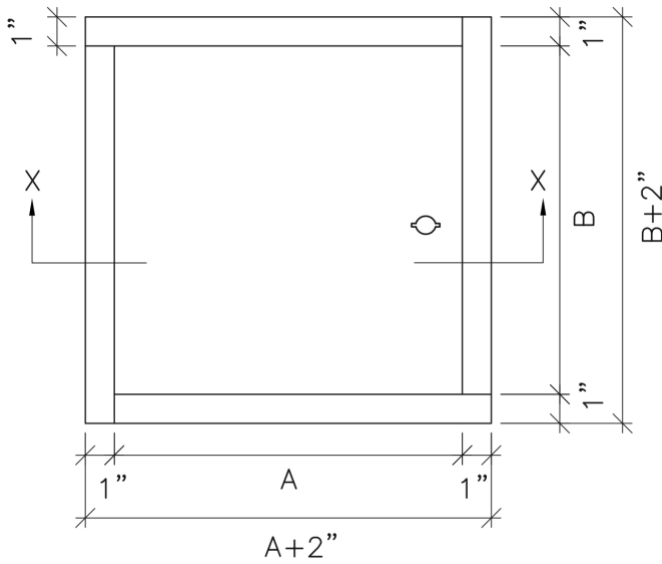




**Product Name:** Byson Steel Access Panel – Fire Rated  
**Product Code:** BYMAPFI

**General Schematic**



**Definitions**

- Neck size:** Nominally cited in listing title. Size of the opening that would be cut into the wall/ceiling to install the access panel. Depicted via A, B in schematic
- Overall size:** Total size of access panel as visible once installed. Depicted via A+2", B+2"



## Size chart

Product number	Neck size AXB (in)	Overall size (in)	Slam Catch	Hinges
BYMAPFI-0808	8X8	10X10	1	1
BYMAPFI-1010	10X10	12X12	1	1
BYMAPFI-1212	12X12	14X14	1	1
BYMAPFI-1414	14X14	16X16	1	1
BYMAPFI-1616	16X16	18X18	1	1
BYMAPFI-1818	18X18	20X20	1	1
BYMAPFI-2020	20X20	22X22	1	1
BYMAPFI-2424	24X24	26X26	1	1
BYMAPFI-2430	24X30	26X32	2	1

## Other specifications:

- Made in Canada
- This panel is designed for both wall and ceiling applications
- For walls, this door has an Underwriters Laboratories (UL and ULC), 1-1/2 hour “B” label, with a maximum temperature rise of 250 degrees Celsius after 30 minutes for vertical wall installations. Warnock Hersey International; Pittsburgh, CA 1 hr rating for combustible floor/ceiling applications. 3 Hr. rating for non-combustible floor/ceiling assembly. This door may be used in a 2-hour fire rated wall assembly
- For fire rated ceilings, this door has been approved by Warnock Hersey International for 3 hours (max. size to 24” x 36”). Intertek Spec. ID #57683
- Door and Trim: 18 ga. cold rolled steel
- Box Return Frame: 16 ga. cold rolled steel
- Insulation: 2” thick mineral wool contained within door cavity
- Hinge: Fully concealed rod type hinge. Allows opening to 170 degrees
- Latch: Self latching direct action latch, opposite hinge. Accepts both key and knurled knob, included with each door
- Automatic Panel Closer: Standard
- Inside Panel Release: Standard
- Finish: White powder coat finish
- Masonry Anchor Straps: Standard
- Sleek Design: The clean and minimalist design of this access panel seamlessly blends into any environment, providing a polished finish to your walls. The white metal finish complements a wide range of decor styles, enhancing the aesthetics of your space

## Installation Guidance

Install with screws (not included) using the holes in the frame, as depicted in schematic. Rough wall opening = door size + 1/4". Note that for fire rated ceiling access doors, on size 16”x16” and larger, extra spring supplied with door must be attached from back of door pan to framing or floor above. In horizontal (ceiling) applications door has self assisted closing.



## Warranty

---

*Byson (the “Corporation”), through its supplier, warrants these metal access doors to be free from defects in material and workmanship for a period of one (1) year from the date of purchase (the “Warranty Period”). During the Warranty Period, any such defects will, at the Corporation’s option, be either repaired or the defective metal access door replaced. This warranty does not cover defects resulting from modifications, alterations, misuse, accident or abnormal condition of operation, exposure to corrosive conditions or improper installation or maintenance. All implied warranties, including, but not limited to warranties of fitness for purpose and merchantability, are limited to the period as stated above. The Corporation shall not be liable for any special, indirect, incidental or consequential damages or losses, including loss of profits. This warranty will be the buyer’s sole and exclusive remedy and the Corporation neither assumes nor authorizes any representative or other person to assume for it any obligation or liability other than as expressly set forth herein. Since some countries or states do not allow limitation of the term of an implied warranty, or exclusion or limitation of incidental or consequential damages, the limitations and exclusions of this warranty may not apply to every buyer. If any provision of this warranty is held invalid or unenforceable by a court of competent jurisdiction, such holding will not affect the validity or enforceability of any other provision.*