

FOLDING ARM AWNING FITTING INSTRUCTIONS

(INCLUDING OPTIONAL UPGRADE RAFTER BRACKET FIXING)

Your new Outdoor Awning has been custom built for you from the highest quality materials please follow the installation instructions provided.

FOR SAFETY REASONS WE STRONGLY RECOMEND USING A QUALIFIED BUILDER TO INSTALL YOUR AWNING.

DELIVERY CARTON BOX CONTAINS THE FOLLOWING COMPONENTS:

1 x pre-assembled frame and fabric awning.

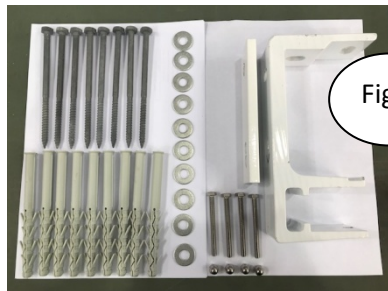


Fig 1

4 set mounting brackets + Packer (including 8 x 10mm screws, wall plugs, mounting M6 nuts (dome) bolts and washers) * Please note the fixings supplied are for solid brick walls and concrete walls **ONLY** For any other structural fixing contact your local qualified builder.

1 x remote control to operate Awning.

1 x detachable winding handle to adjust pitch only (depending on model see fig 7 & 8)

4 rafter brackets – optional extra.

1 x 3 pin plug.

Weather Box



Fig 2

8 x Hex Nuts – m8

4 x Hex Bolts – m8 x 30

4 x Hex Bolts –m8 x 20

8 x washers – m8

Joining brackets to rafter (Optional Extra)



Fig 3

8 x Nuts – m10

8 x Bolts m10 x 65

8 x Washers m10

Awning brackets to rafter brackets

8 x m12 x 50

INSTALLATION INSTRUCTIONS

The awning can be easily installed in about 30 minutes. For safe and easy installation of the awning, we recommend that 2 to 3 persons are required for lifting and positioning.

TOOLS REQUIRED:

Power drill
10mm Masonry drill bit
Philip head screw driver or drill
Spirit level
Adjustable spanner
One near power supply connector is needed for motor or qualified electrician to hard wire or install GPO and connect blind to power.

METHOD: 2 x outer brackets must be installed within 100mm of the arm brackets. To prevent twisting of the awning cassette. The remaining brackets to be spread evenly along the centre of blind. Packers (supplied to be placed behind all brackets to enable weather box to be installed).

STANDARD WALL FIX BRACKETS

Determine the height the awning is required, considering the door clearances, angle of slope etc. and mark a horizontal line on the wall to the total width of awning as shown in step 1 below and making sure it is level.

There must be at least 7 brick courses above bracket installation point and allow a minimum of the lintel plus three brick courses below if placing over a door/window

FOLLOW STEPS BELOW FOR BRACKET POSITIONING

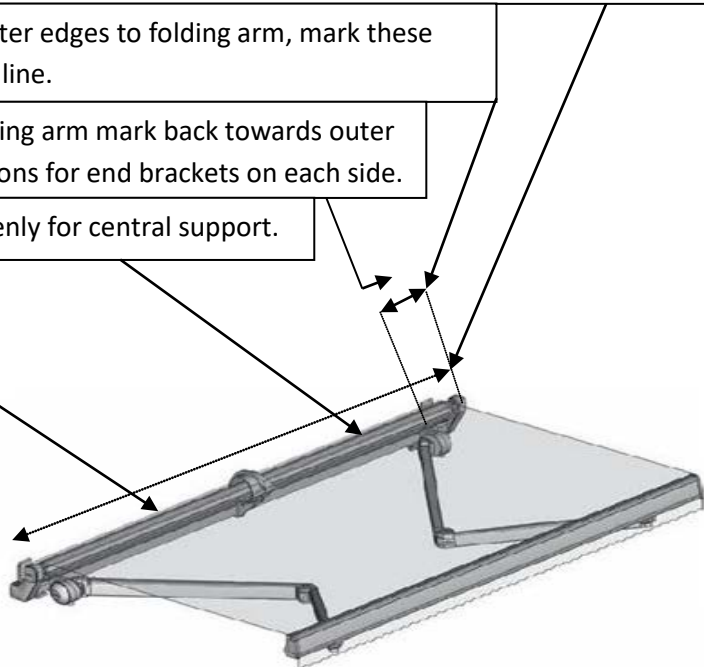
STEP 1. Measure total width of awning without weather box and mark your horizontal line

STEP 2. Measure distance from outer edges to folding arm, mark these measurements on your horizontal line.

STEP 3 Measure 100mm from folding arm mark back towards outer edge, these points mark the positions for end brackets on each side.

STEP 4. Space other 2 brackets evenly for central support.

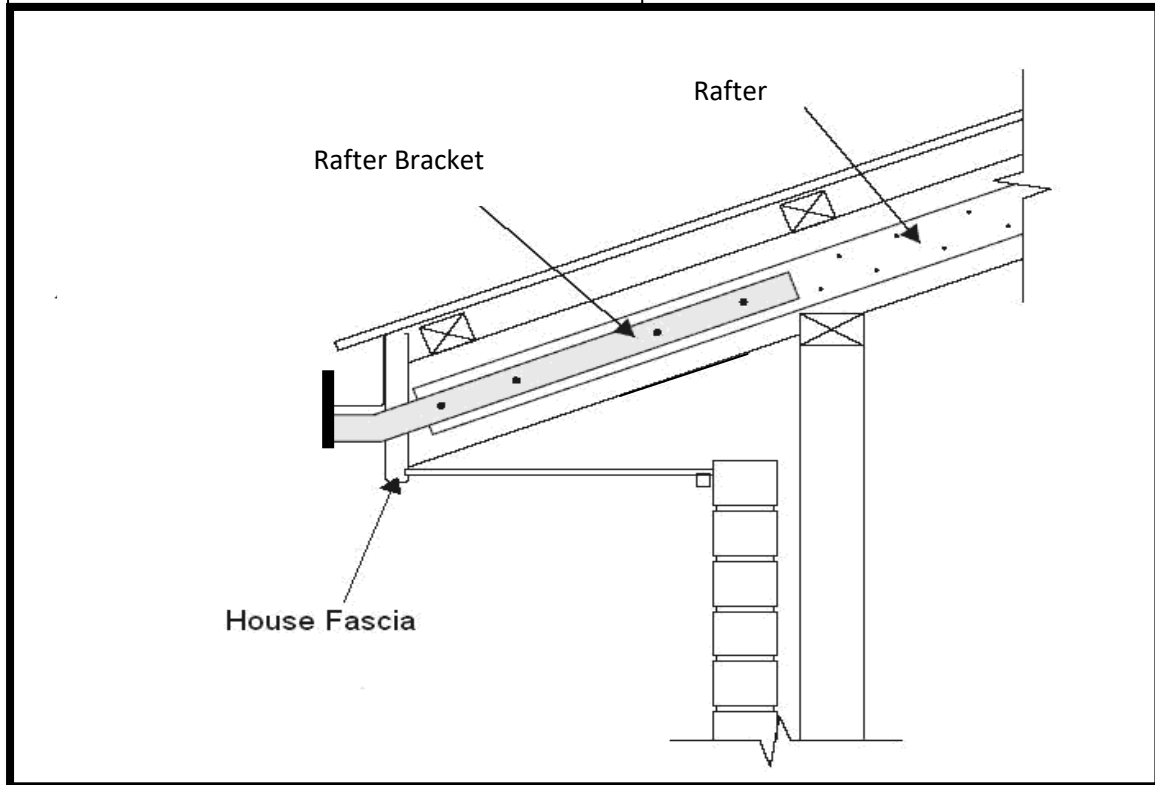
Brackets must be firmly fixed to the wall using the screws and wall plugs provided (Fig 1) but only for brick or concrete walls. Use spirit level to make sure the fixings are completely level.



IMPORTANT!

The fixings supplied are for brick walls and concrete walls **only**. For any other structural fixing contact your local qualified builder or hardware store for recommended fixings.

RAFTER BRACKET FIXTURE (OPTIONAL EXTRA)



Fixings for rafter bracket to rafter are not supplied
Recomend :- 12mm Bolts 70mm – 90mm Long with nuts & washers to match.

RAFTER BRACKET FIXING (OPTIONAL EXTRA)

Where wall height is an issue rafter brackets should be installed as an alternative fixing point. Custom Rafter brackets are available from supplier as an optional extra. If your installation requires a rafter bracket use bolts (fig 3) to attach the awning brackets to the rafter brackets.



WEATHER BOX INSTALLATION

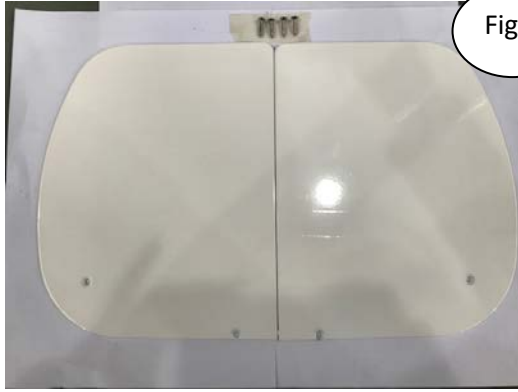


Fig 5

Left and right end caps with countersunk holes & 4 small screws for weather box

Using bolts (fig 2) and end caps (fig5), assemble weather box and fix to brackets following the steps below.

Fig 6



STEP 1 Slide the head of m8 x 20 bolts (shorter) into front track in the underside of the weather box

STEP 2 Slide the head of m8 x 25 bolts (Longer) into back track in the underside of the weather box

STEP 3 Distance the bolts to line up with brackets

STEP 4 Using small screws (fig5) attach end caps to weather box, you will have a left and right end cap, ensure the screws sit flush with end cap, the holes are countersunk on one side for a neat finish

STEP 5 Position weather box in line with brackets so that the bolts fix through brackets and use washers and nuts to secure into place.

STEP 6 Once your brackets and weather box are securely installed lift awning into position (we recommend 2-3 person lift) inserting frame into the brackets between the two lower protrusions.

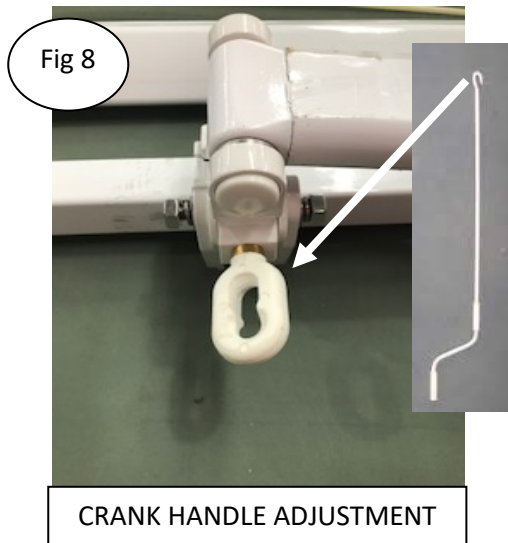
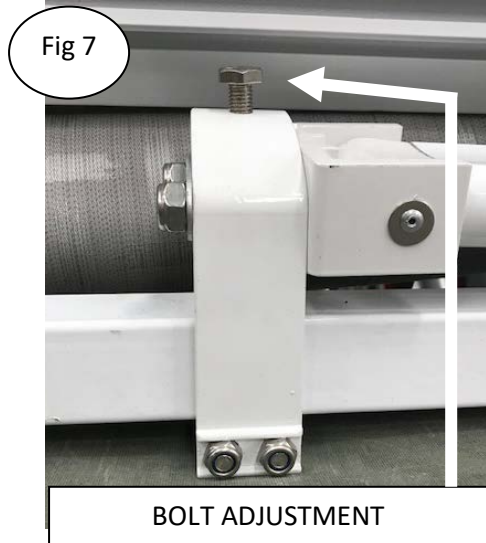
STEP 7 Secure the frame in place with the m6 bolts (fig1) – insert bolt through the two holes in the front of the two lower protrusions of the brackets and secure firmly with the washers and nuts.

Pelmet cover installation.

Once you have installed the wall brackets and the awning is ready to install into the brackets,, now is the easiest time to install the pelmet cover. First count up the number of brackets (two bolt combos per wall bracket) 3X brackets means 6X bolt combos. (combos consist of 2X m8 washers, 1X m8 nylock nut, 1X m8 bolt @ 40-55mm in length), you will need an extra count of m8 nylock nuts and extra m8 washers only for the front pelmet channel.

Slide the m8 bolts into place, into the square looking channels on the underneath of the pelmet, on the forward facing channel to a m8 bolt, you will thread on a washer and then a nut, by doing so this will tilt the pelmet cover on the bracket to a upward position, doing this will project the pelmet away from rubbing on the fabric at the front edge. Finish by installing the m8 combos and tightening until no movement is noticed (NOTE,, DO NOT OVER TIGHTEN BOLT COMBOS as stainless steel loves to bind up and usually requires a grinder-spanner to loosen)

The angle of the slope can be adjusted using the crank handle or adjustment bolt (depending on which model you have)



Please refer to motor set up guide to set awning limits

GENERAL CARE AND PRECAUTIONS

The awnings are constructed from weather resistant powder coated metal and hard-wearing polyester fabric, and designed for many years service. The awnings can be easily washed or sponged down, but should not be left for prolonged periods.

The awnings are intended to provide shade from direct sunlight, not as protection from the harsher elements such as rain and wind, and should be retracted in such conditions or when not in use in case the weather should change for the worse, such as the wind power exceeds 5 grade.

You should check-up the settled parts after using for a period of time , it requires all settled parts are fastened well

The awnings can be easily removed from the brackets for winter storage.

Your blind is now installed and ready. We hope it brings you and your home many years of great functionality and beauty. We thank you for your purchase

IMPORTANT INFORMATION

WARNING STRUCTURAL HAZARD

Installation instructions: WE STRONGLY RECOMEND THAT AWNINGS ARE INSTALLED BY A PROFESSIONAL BUILDER.

EXTERNAL BLINDS CAN BECOME A STRUCTURAL HAZARD IF NOT INSTALLED PROPERLY AND COULD RESULT IN PROPERTY DAMAGE, INJURY OR EVEN DEATH.

IT IS IMPERATIVE THAT BLINDS ARE FIXED SECURELY WITH THE CORRECT FIXINGS.

YOUR AWNINGS ARE SUPPLIED WITH STANDARD FIXINGS FOR SOLID BRICK AND CONCRETE WALLS. ANY OTHER STRUCURES MUST BE FIXED WITH ALTERNATIVE SAFE FIXING METHODS SEE YOUR BUILDING SPECIALIST.

FOLDING ARM AWNINGS ARE DESIGNED FOR SUN SHADE ONLY AND MUST BE FULLY RETRACTED WHEN NOT IN USE AND IN WINDY CONDITIONS.

'WARNING: STRUCTURAL HAZARD