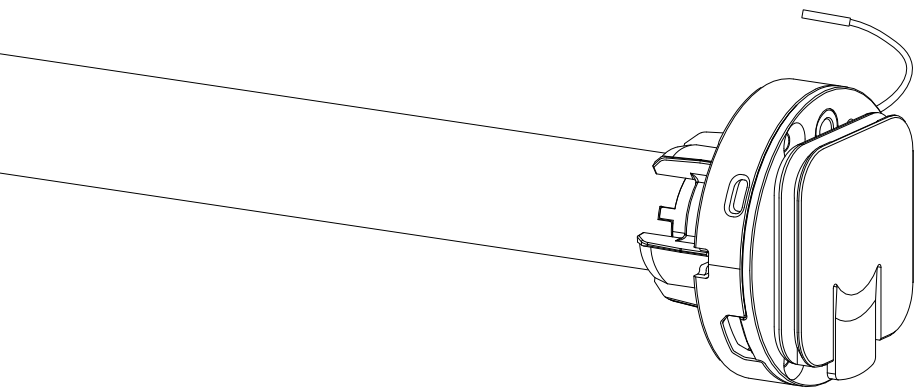


# MANUAL CMD-02

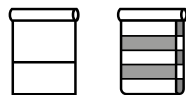
Li-ion battery powered tubular motors with  
remote operation



MOTION

## CMD-02

Li-ion battery powered tubular motors with remote operation



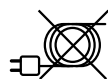
## Motor features



**Li-ion Battery**  
Integrated  
lithium-ion battery



**USB Rechargeable**  
Rechargeable with  
micro USB



**Wireless**  
Cable free  
installation



**Bi-directional**  
Two-way  
communication for  
real-time response

## Control options



**Remote Control**  
Operate with a  
remote control



**App Control**  
Operate with the  
MOTION app



**Connectivity**  
Compatible with  
home and building  
automation

## Support



**Video**  
How to install,  
program and operate  
[rtube.nl/red1334](http://rtube.nl/red1334)



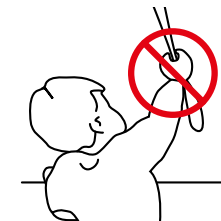
**App Store**  
Download the  
MOTION app  
[rtube.nl/red981](http://rtube.nl/red981)



**Google Play**  
Download the  
MOTION app  
[rtube.nl/red982](http://rtube.nl/red982)

# WARNING

Read the instructions carefully before assembling and using the product. Assembly can be completed by non-professionals. For indoor use only.



- Young children can strangle themselves with the loop of pull cords, chains and tapes, and cords that operate window coverings.
- To avoid strangulation and entanglement, keep cords out of reach of young children.
- Cords may ensnare a child's neck.
- Move beds, cots and furniture away from window covering cords.
- Do not tie cords together.
- Make sure cords do not twist together and form a loop.

## Cleaning

Follow these general rules when cleaning the outside of the device and its components:

- Use a damp, soft, lint-free cloth. Avoid getting moisture in openings.
- Do not use aerosol sprays, solvents, alcohol, or abrasives.

## Service & Support

Do not perform repairs yourself. Do not attempt to open the device or disassemble it. You run the risk of electric shock and voiding the limited warranty. No user-serviceable parts are inside.

## Warranty Service

First follow the advice in this manual. If the product appears to be damaged or does not function properly, go to your local dealer for instructions on how to obtain warranty service.

## Recycle

This marking indicates that this product should not be disposed with other household wastes throughout the EU. To prevent possible harm to the environment or human health from uncontrolled waste disposal, recycle it responsibly to promote the sustainable reuse of material resources. To return your used device, please use the return and collection systems or contact the retailer where the product was purchased. They can take this product for environmental safe recycling.



IP 20



### Important Safety instructions

**WARNING:** To reduce the risk of severe injury or death, it is important to follow these instructions for personal safety. Save these instructions.

- Read and follow all installation instructions.
- This appliance can be used by children aged 8 years and above and persons with reduced physical, sensory or mental capabilities or lack of experience and knowledge if they have been given supervision or instruction concerning use of the appliance in a safe way and understand the hazards involved. Children should not play with the appliance. Cleaning and user maintenance should not be performed by unsupervised children.
- Do not allow children to play with fixed controls. Keep remote controls away from children.
- Frequently examine the installation for imbalance and signs of wear or damage to cables and springs. Do not use if repair or adjustment is necessary.
- This instruction manual is also available on the website.
- The drive must be disconnected from its power source during cleaning, maintenance and when replacing parts.
- The A-weighted emission sound pressure level of the drive is equal to or less than 70dB(A).
- Indoor and household use only.
- Disconnect the drive from the power supply or switch off the automatic controls when maintenance, such as window cleaning, is being carried out in the vicinity.
- When operating a biased switch, make sure that other persons are kept away.
- Do not operate when maintenance, such as window cleaning, is being carried out in the vicinity.
- The tube motor must only be supplied with safety extra low voltage corresponding to the marking on the appliance.
- This appliance contains batteries that are non-replaceable.

### Important Installation instructions

**WARNING:** Important safety instructions. Follow all instructions, since incorrect installation can lead to severe injury.

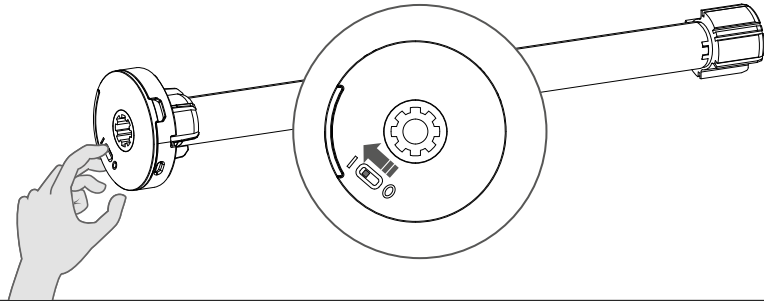
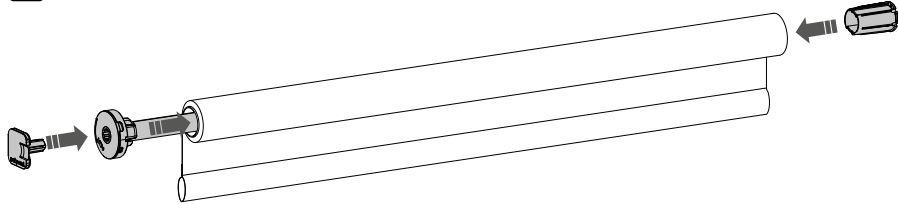
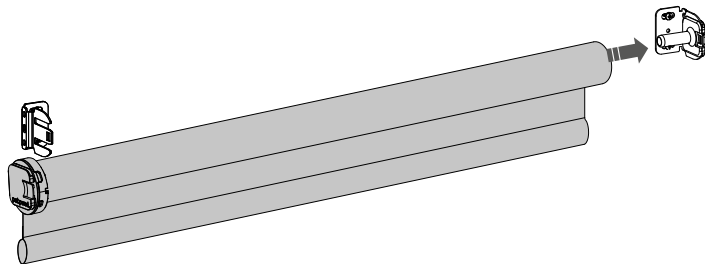
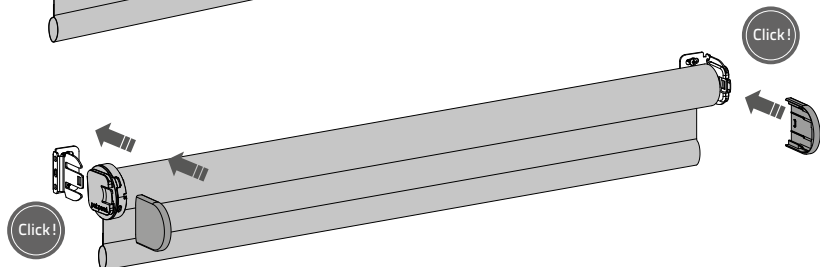
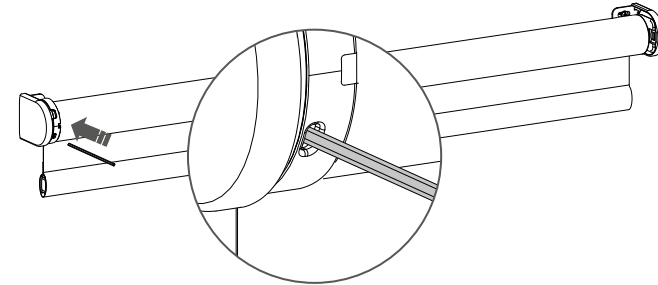
- This motor can only be used with soft material for driven parts.
- Hazardous unprotected moving parts of the drive must be installed higher than 2.5m above the floor or any other level surface that could provide access to it.
- Install the actuating member of a manual release at a height of less than 1.8m.
- The actuating member of a biased switch is to be located within direct sight of the driven part but away from moving parts. It is to be installed at a minimum height of 1.5m and not accessible to the public.
- The mass and the dimension of the driven part must be compatible with the rated torque and rated operating time.
- Fixed controls have to be clearly visible after installation.
- The driven part must be compatible with the rated torque (0.3N.m) and rated operating time (12min).
- Minimum tube diameter:  $\varnothing 25\text{mm}$ .
- The drive is intended to be installed at a height of at least 2.5m above floor or any other accessible level surface.
- All-pole disconnection switches must be incorporated in the fixed wiring in accordance with the wiring rules.
- The appliance must only be supplied at safety extra low voltage corresponding to the marking on the appliance.
- Before installing the drive, remove any unnecessary cords or components and disable any equipment not needed for powered operation.
- The battery must be removed from the appliance before it is scrapped. The appliance must be disconnected from the supply mains when removing the battery. The battery is to be disposed of safely.

### EU Declaration

Hereby, Coulisse declares that the radio equipment type CMD-02 is in compliance with directive 2014/53/EU. The full text of the EU declaration of conformity is available at the following internet address: [www.my.coulisse.com](http://www.my.coulisse.com)

**1** Activate the motor

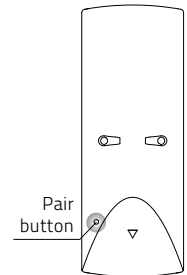
**i** Activate the motor by moving the switch to 1.

**2****3****4****5****6** Pair a remote

**6.1** Shortly press the **program** button with a pin on the motor. The blind will start stepping, indicating that program mode has been activated. (The blind keeps stepping until the program mode is deactivated.)

**6.2** Press the **pair** button on the back of the remote control to pair the blind. The blind will shortly stop stepping indicating that the remote has been paired to the blind.

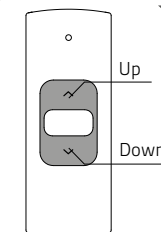
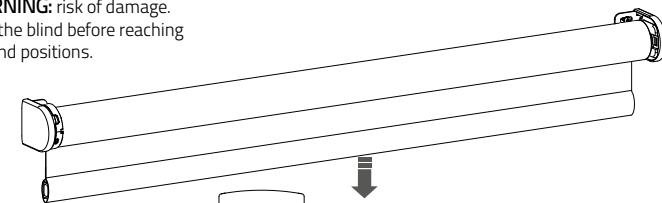
**i** Repeat steps 6.1 - 6.2 to remove a blind from a channel.



**i** End limits must be programmed to use a blind properly and to prevent it from being damaged. Proceed to step 12 if end limits are already set.

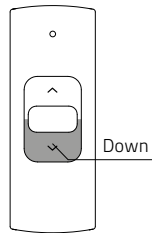
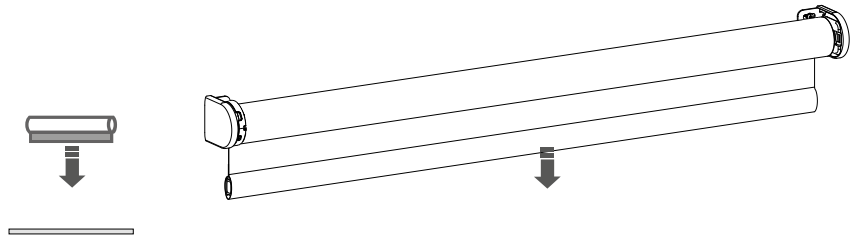
**7** Check rotational direction

**WARNING:** risk of damage.  
Stop the blind before reaching the end positions.



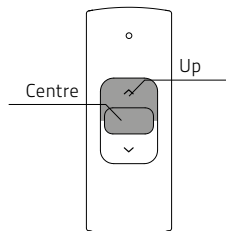
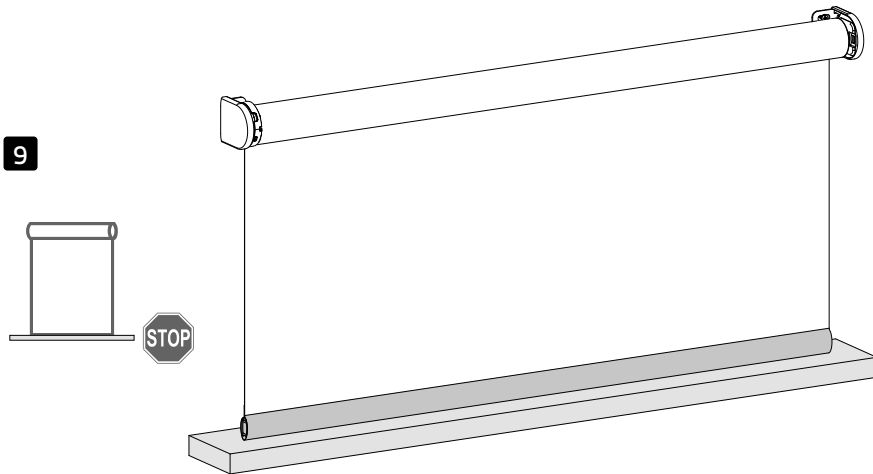
**7.1** Shortly press the **down** button to check if the blind unrolls the right way. If the blind moves up, the rotational direction must be changed.

**7.2** Simultaneously press the **up** and **down** button to change the rotational direction.

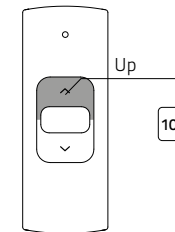
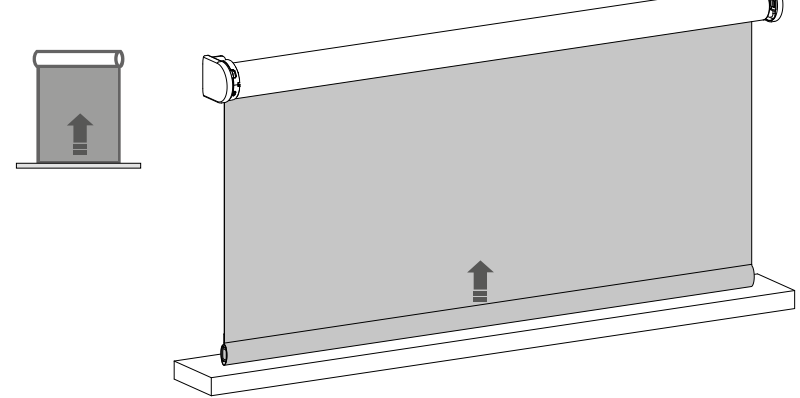
**8** Set bottom position

**8.1** Press and hold the **down** button until the blind reaches the desired bottom position.

**WARNING:** risk of damage.  
Slowly approach the bottom position.

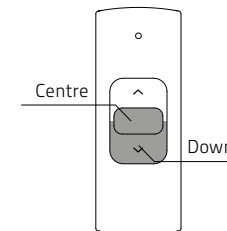
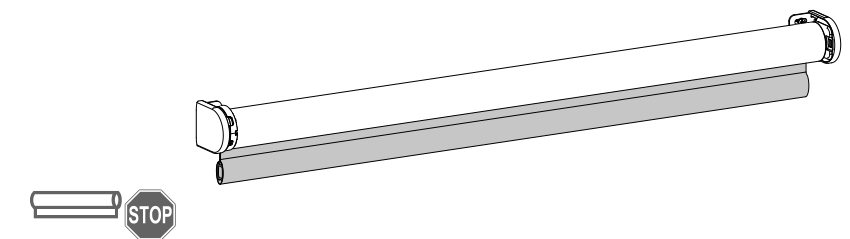


**9.1** Simultaneously hold the **centre** and the **up** button until the blind stops stepping and starts stepping again.  
The bottom position has been saved.

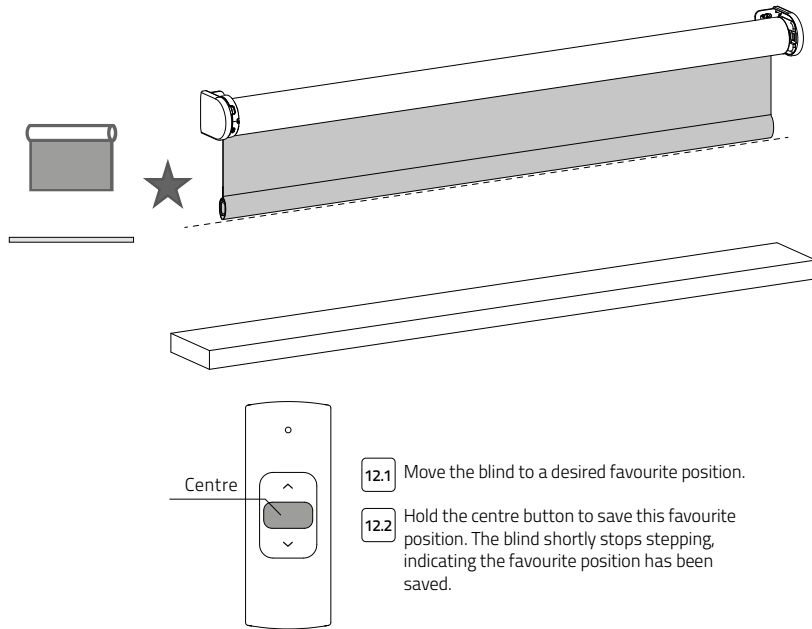
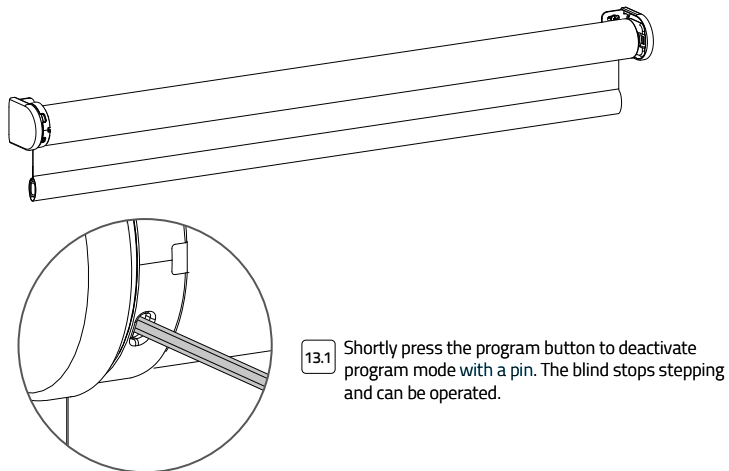
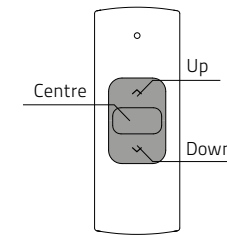
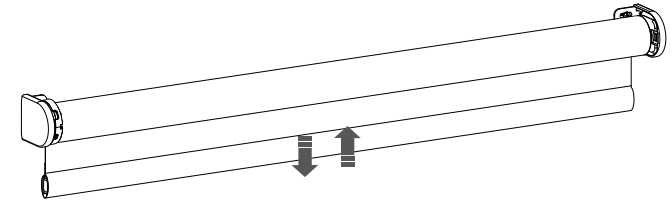
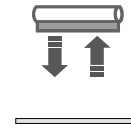
**10** Set top position

**10.1** Press and hold the **up** button until the blind reaches the desired top position.

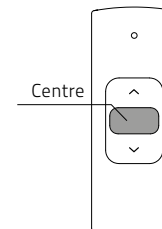
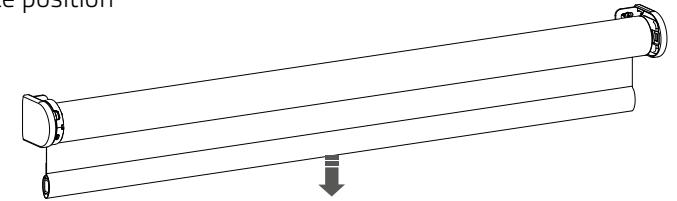
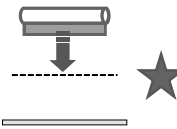
**WARNING:** risk of damage.  
Slowly approach the top position.

**11**

**11.1** Simultaneously hold the **centre** and the **down** button until the blind stops stepping and starts stepping again.  
The top position has been saved.

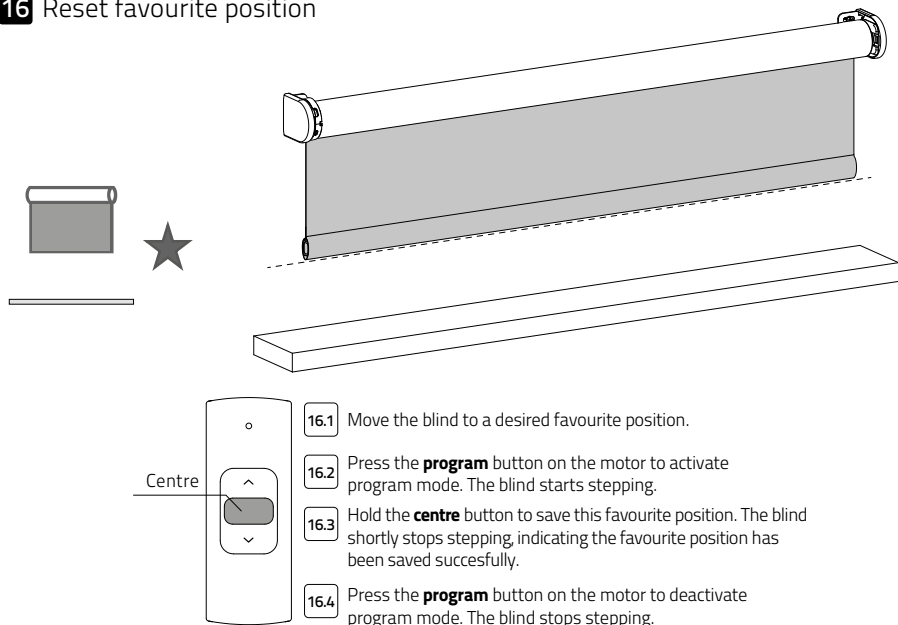
**12** Set favourite position (optional)**13** Deactivate program mode**14** Operate the blind

**i Remote control:** Press the **up** or **down** button to operate the blind. Press the **centre** button to stop the blind.

**15** Move to favourite position

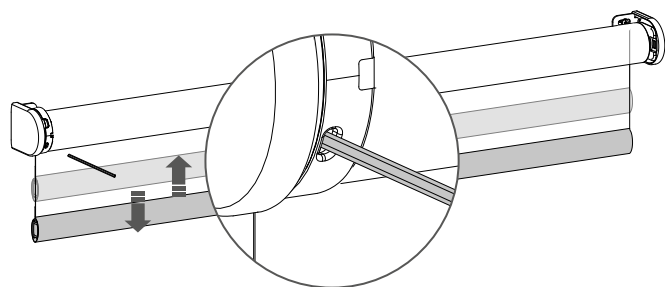
**i Remote control:** press the **centre** button to move the blind to the favourite position.

### 16 Reset favourite position



### 17 Reset the blind

**i** It is possible to only delete end limits or to do a factory reset. Factory reset will delete the end limits and remove the connection to any paired remote.



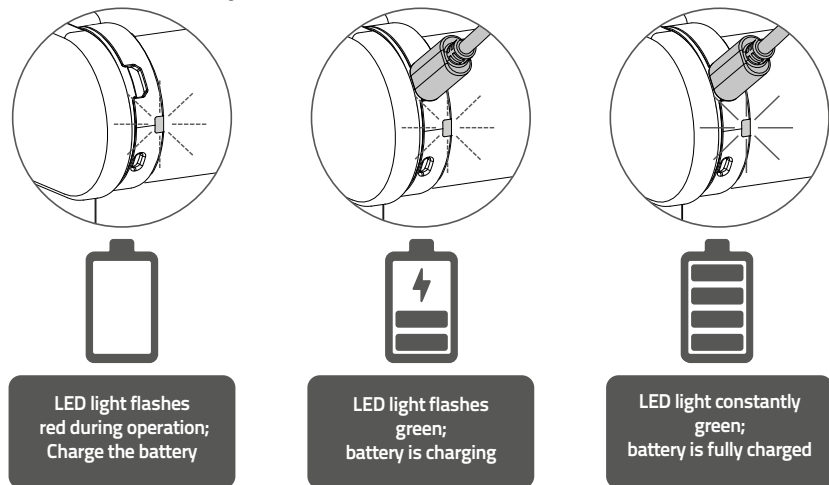
17.1 Shortly press the **program** button on the motor to activate program mode.

**i** **Delete end limits:** to delete the end limits of the blind, hold the **program** button until the blind stops stepping for the first time, and keep holding the button until the blind stops stepping for the second time. (approximately 10 seconds)

**i** **Factory reset:** to reset the blind to factory defaults, hold the button for at least 20 seconds. The blind will stop stepping twice. After the second stop, the blind will give one extra step to confirm factory reset.

### 18 Recharge the battery

**i** Use a micro USB cable to charge the motor.



### Frequently Asked Questions

Problem	Cause	Solution
Blind does not work.	Motor is not activated	Activate the motor. See step 1.
	Motor battery is empty.	Charge the motor. See step 18.
	Remote battery is empty. (LEDS of remote are flashing rapidly.)	Replace the battery in the remote. See the manual of the remote.
	Remote battery is inserted incorrectly.	Replace the battery in the remote. See the manual of the remote.
	Radio-frequency interference	Make sure that the antenna of the motor is out of the way of metal objects.
	The distance from the remote to the motor is too far.	Move closer to the motor.
Motor LED flashes red.	The battery of the motor is empty.	Charge the motor. See step 19.
Blind is not charging.	Charger is not plugged in or does not work.	Try a different charger or make sure the charger is plugged in the outlet.
Blind moves in small steps.	No end limits are programmed.	Program end limits. See step 8 - 11.
Favourite position can not be programmed.	No end limits are programmed.	Program end limits . See step 8 - 11.
Blind lowers too far.	End limits are programmed incorrectly.	Reprogram end limits. See step 8 - 11.
Blind moves in the opposite direction	The rotational direction has been set incorrectly.	Change the rotational direction. See step 7
The blind keeps moving up and down.	The blind is in program mode.	Press the program button on the motor to exit program mode.

For the latest information and updated manuals, visit [rtube.nl/cmd-02](http://rtube.nl/cmd-02)

Disclaimer:

© Copyright Coulisse

All rights reserved. No part of this publication may be reproduced, stored in a retrieval system, or transmitted, in any form, by any means, electronic, mechanical, photocopying, recording, digital or otherwise without the written permission of the publisher.

Although this manual has been composed with the utmost care, Coulisse B.V. does not accept any responsibility for damage due to mistakes and/or faults in this manual.

Coulisse B.V. reserves the right to revise the manual and to revise and/or change its content at any time, without obligation to notify any person or entity of such revisions or changes.

The most recent version replaces older versions of this manual.

The most recent version is available at [my.coulisse.com](http://my.coulisse.com) or by contacting your Coulisse contact person.

We invite you to send remarks and comments about this manual to Coulisse at [manuals@coulisse.com](mailto:manuals@coulisse.com).