

Contour Outdoor Sign Water Base

CONTOUR-WB

Contour is a heavy-duty double-sided sign. The sign has a wheeled compact molded base that can be filled with water or sand, and hook and loop connections, that make changing your message out quick and easy.



**Contour Outdoor Sign
Water base**

features and benefits:

- Plastic Base can be filled with water or sand; includes wheels and handle for easy maneuvering and two uprights for graphic attachment
- 6 Coroplast graphic shapes offered
- Hook and loop attachment for easy graphic replacement
- Weather resistant design for outdoor use
- Easy to store and ship
- Wind rating: 15mph
- One year hardware warranty against manufacturer defects

dimensions:

Hardware	Graphic
Assembled base unit: 29.92" W x 6.3" H x 18.5" D 760mm(w) x 160mm(h) x 470mm(d)	Refer to related graphic template for more information.
Approximate weight: 11 lbs / 5 kg	Six month graphic warranty Visit: https://www.theexhibitorshandbook.com/download-graphic-templates

Shipping

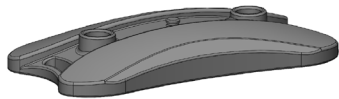


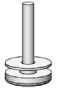
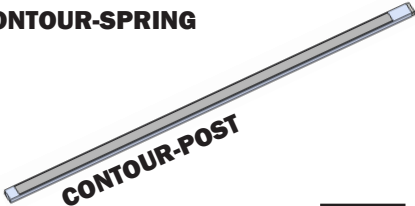






Packing case(s): 1 Box	additional information: Graphic material: UV printed Coroplast
Shipping dimensions: 46"l x 19"h x 6"d 1168mm(l) x 482mm(h) x 152mm(d)	Coroplast Graphic will ship separately.
Approximate shipping weight: 13 lbs / 7 kg	

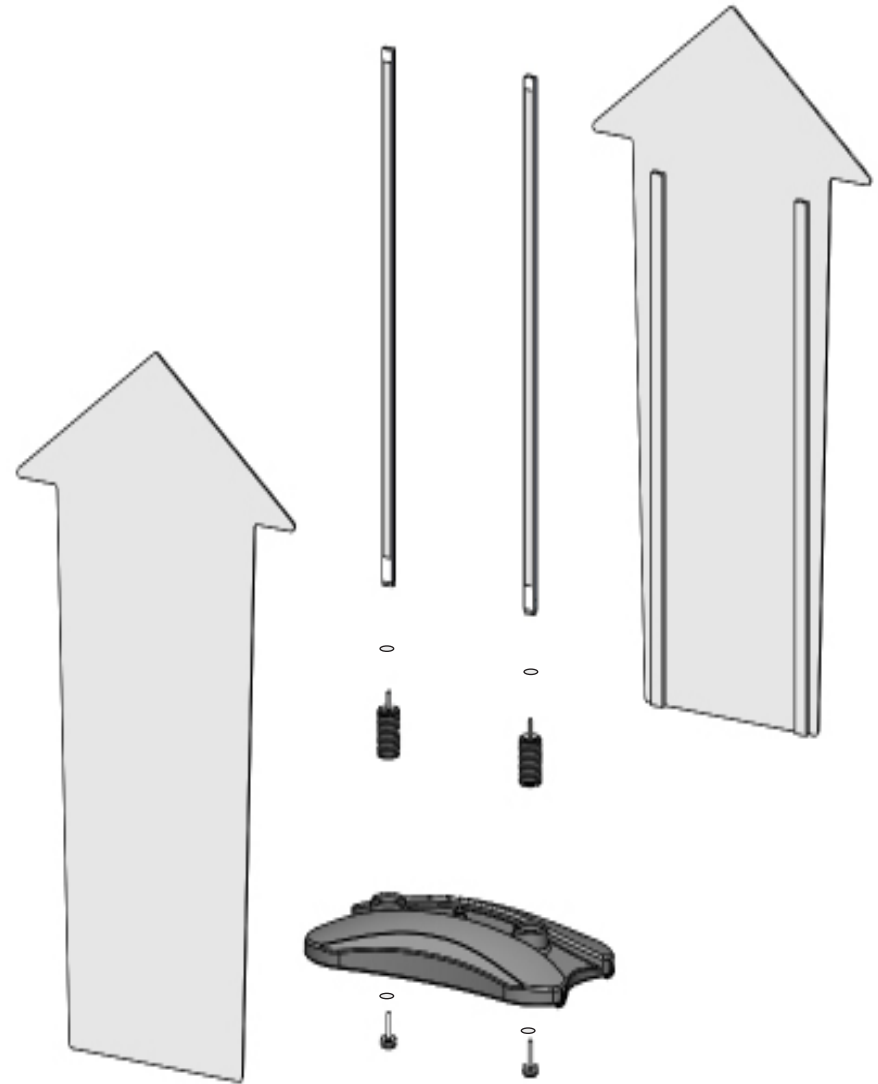


This product may include the following materials for recycle:
aluminum, select wood, fabric, cardboard, paper, steel, and plastics.

We are continually improving and modifying our product range and reserve the right to vary the specifications without prior notice. All dimensions and weights quoted are approximate and we accept no responsibility for variance. E&OE. See Graphic Templates for graphic bleed specifications.

Included in Your Kit:

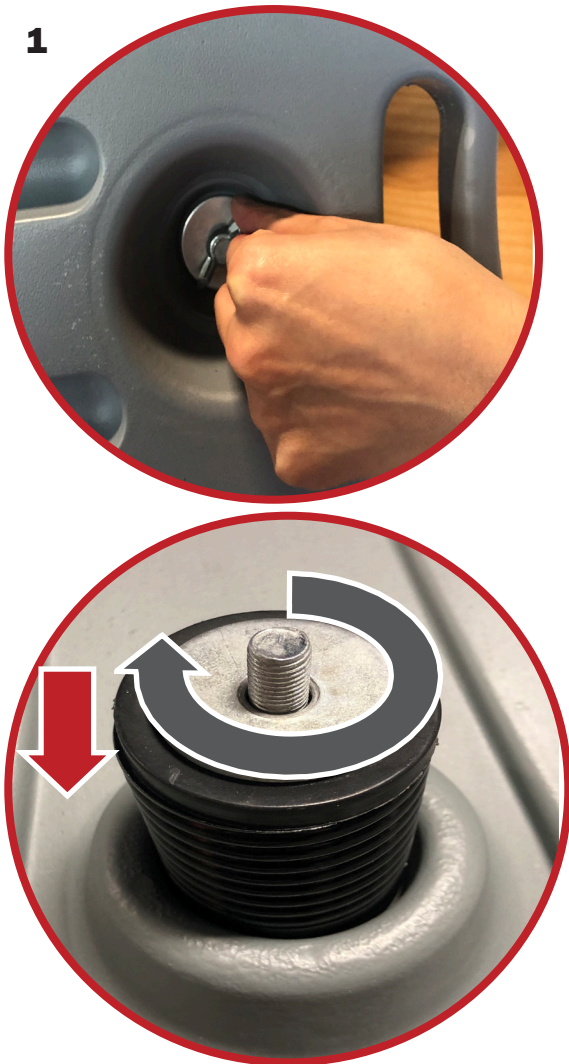
Hardware	 CONTOUR-WB (x1)
	<div style="display: flex; justify-content: space-around;"> <div style="text-align: center;">  CONTOUR-WASH </div> <div style="text-align: center;">  CONTOUR-SPRING </div> </div> <div style="display: flex; justify-content: space-around; margin-top: 10px;"> <div style="text-align: center;">  CONTOUR-SCREW </div> <div style="text-align: center;">  CONTOUR-POST </div> </div> (x2)
Graphic Shapes	<div style="display: flex; justify-content: space-around;"> <div style="text-align: center;">  CONTOUR-1-G </div> <div style="text-align: center;">  CONTOUR-2-G </div> <div style="text-align: center;">  CONTOUR-3-G </div> </div>
	<div style="display: flex; justify-content: space-around;"> <div style="text-align: center;">  CONTOUR-4-G </div> <div style="text-align: center;">  CONTOUR-5-G </div> <div style="text-align: center;">  CONTOUR-6-G </div> </div> <p style="text-align: center; margin-top: 10px;">*All graphics sold separately.</p> (x2)



How to Assemble your Base:

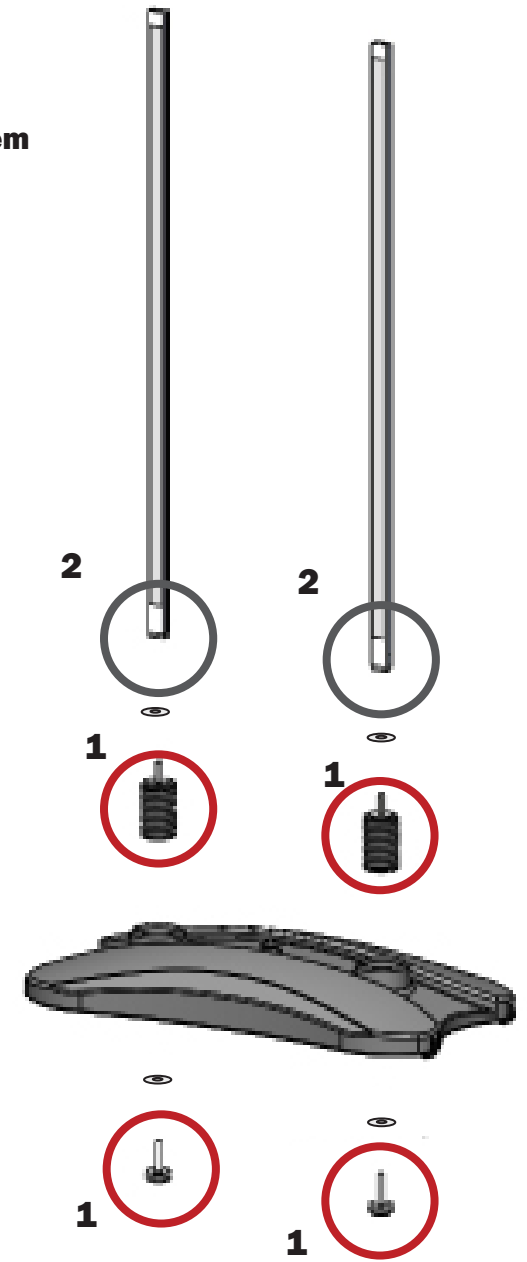
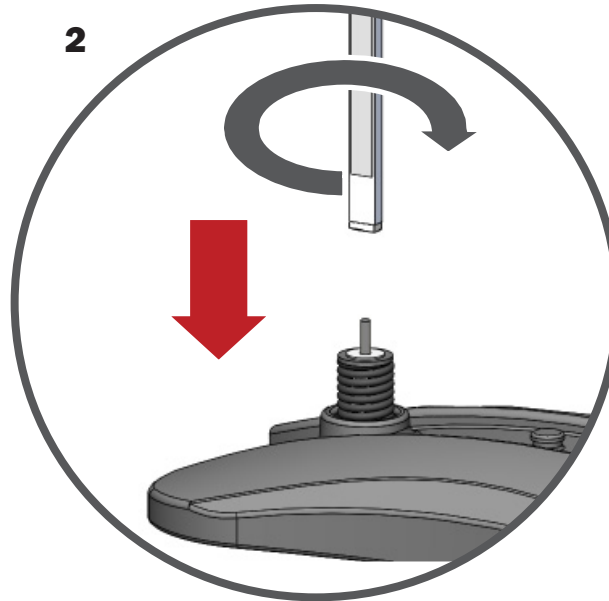
Step 1

With the water base upside down, tighten the screw through the washer and into the spring, until the springs are fully attached. Repeat for both sides.

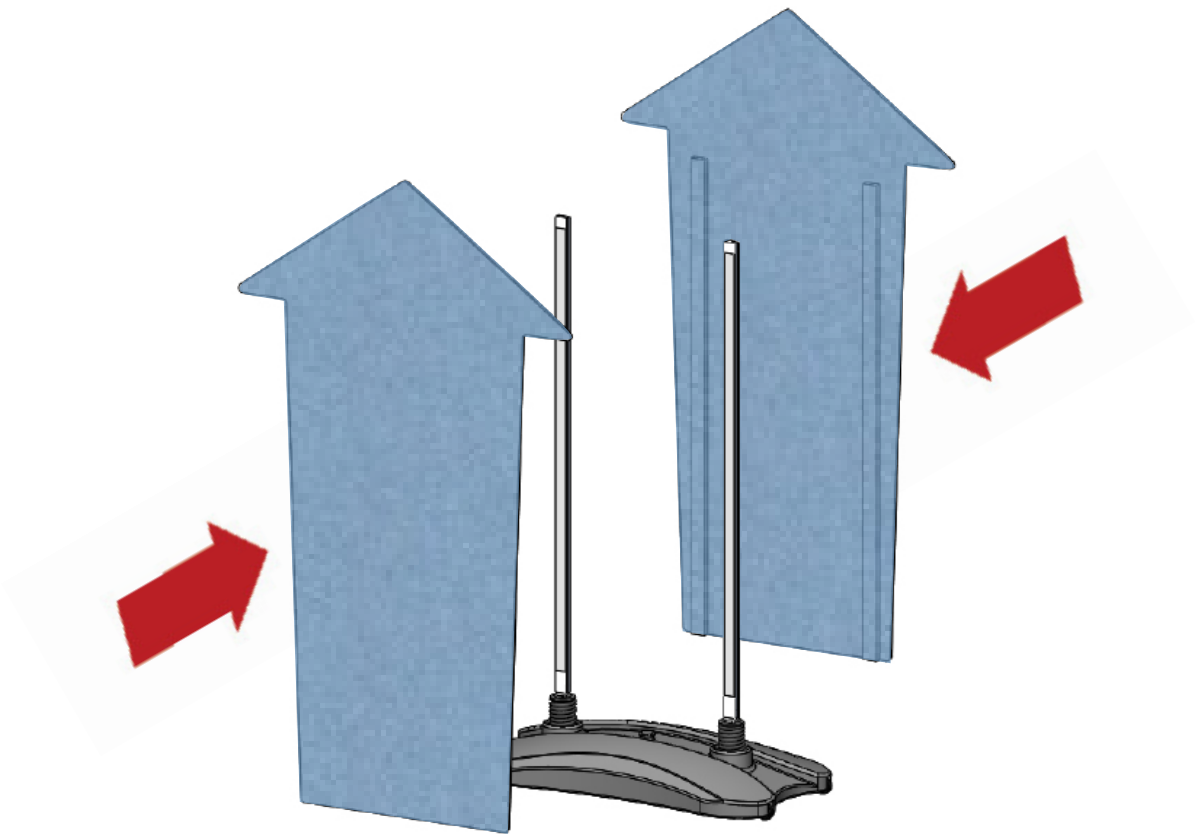


Step 2

Flip the base to its proper orientation, and attach the extrusion posts by threading them onto the screws/ springs. Repeat for both sides.



How to Attach your Graphic:



Hook and Loop attachment



Standard Graphic Options

Custom Shapes Available



CONTOUR-01-G



CONTOUR-02-G



CONTOUR-03-G



CONTOUR-04-G



CONTOUR-05-G



CONTOUR-06-G