

# Coyote popup features

The Coyote popup display system combines strength, reliability, and style in a lightweight and easy to use system. It is fully magnetic, making it simple to assemble and disassemble, and is available in a wide range of sizes and configurations.



## features and benefits:

- Some kits include stylish 120 watt floodlights (LED lighting available)
- Available in a variety of sizes and configurations
- Collapses to a fraction of its size
- Choice of two protective plastic wheeled molded shipping cases
- Eco-fi fabric panels, direct-to-substrate, or U.V. printed graphic panels
- Accomodates a variety of accessories such as back lit tower, internal shelving, bubble panel, and case to counter conversion kits
- Unconditional lifetime warranty on frame against manufacturer defects
- COYOTE MONITOR MOUNT BRACKET: COY-MM-BRKT
- Monitor mount max weight = approx. 15 lbs.

## fabric color options:

Regal - smooth textured fabric



R02  
Chrome



R03  
Storm



R11  
Chili Pepper



R04  
Sapphire



R01  
Carbon



R05  
Electric Blue

Premier - ribbed display fabric



R12  
Nebula



R04  
Monarch



R28  
Persian



D70  
Eggshell



R31  
Eco Green



R29  
Beach



R30  
Maroon



R11  
Electric



R02  
Steel



R03  
Charcoal



R15  
Cinder



R01  
Lava

We are continually improving and modifying our product range and reserve the right to vary the specifications without prior notice. All dimensions and weights quoted are approximate and we accept no responsibility for variance. E&OE. See Graphic Templates for graphic bleed specifications.

# Coyote popup display options



4ft tabletop  
(1x1)

- options:
- frame kit
  - frame with fabric endcap kit
  - full fabric kit
  - full graphic kit
  - curved and straight frames available



6ft tabletop  
(2x1)

- options:
- frame kit
  - frame with fabric endcap kit
  - full fabric kit
  - full graphic kit
  - curved and straight frames available



8ft tabletop  
(3x1)

- options:
- frame kit
  - frame with fabric endcap kit
  - full fabric kit
  - full graphic kit
  - curved and straight frames available



6ft tabletop  
(2x2)

- options:
- frame kit
  - frame with fabric endcap kit
  - full fabric kit
  - full graphic kit
  - curved and straight frames available



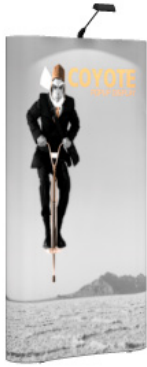
8ft tabletop  
(3x2)

- options:
- frame kit
  - frame with fabric endcap kit
  - full fabric kit
  - full graphic kit
  - curved and straight frames available



watch video

# Coyote popup display options



4ft display  
(1x3)

- options:
- frame kit
  - frame with fabric endcap kit
  - full fabric kit
  - full graphic kit
  - curved and straight frames available



6ft display  
(2x3)

- options:
- frame kit
  - frame with fabric endcap kit
  - full fabric kit
  - full graphic kit
  - curved and straight frames available



8ft display  
(3x3)

- options:
- frame kit
  - frame with fabric endcap kit
  - full fabric kit
  - full graphic kit
  - available with OCP
  - curved and straight frames available



10ft display  
(4x3)

- options:
- frame kit
  - frame with fabric endcap kit
  - full fabric kit
  - full graphic kit
  - available with OCP



Gullwing

- options:
- frame kit
  - frame with fabric endcap kit
  - full fabric kit
  - full graphic kit
  - available with OCP

# Coyote popup display options



8ft Serpentine

- options:
- frame kit
  - full fabric kit
  - full graphic kit
  - available with OCP



10ft Serpentine

- options:
- frame kit
  - full fabric kit
  - full graphic kit
  - available with OCP



20ft Serpentine

- options:
- frame kit
  - full fabric kit
  - full graphic kit
  - available with OCP



Horseshoe

- options:
- frame kit
  - full fabric kit
  - full graphic kit
  - available with OCP



Deluxe Horseshoe

- options:
- frame kit
  - full fabric kit
  - full graphic kit
  - available with OCP

# Coyote popup accessories



OCP  
Fabric Counter Conversion Kit



OCP  
Graphic Case to Counter



OCP  
Stretch Wrap Case to Counter



Bubble Panel



OCP2  
Fabric Counter Conversion Kit



OCP2  
Graphic Case to Counter



OCP2  
Stretch Wrap Case to Counter



Monitor Mount



OCP Elite  
Fabric Counter Conversion Kit



OCP Elite  
Graphic Case to Counter



OCP Elite  
Stretch Wrap Case to Counter



Internal Shelf Kit











Coyote Tower




# Coyote straight and curved tabletop popup display specs

	 <b>Straight 4ft (1x1)</b>	 <b>Straight 6ft (2x1)</b>	 <b>Straight 8ft (3x1)</b>	 <b>Straight 6ft (2x2)</b>	 <b>Straight 8ft (3x2)</b>
<b>Footprint</b>	41.8" w x 30.625" h x 13" d	70.7" w x 30.625" h x 13" d	99.58" w x 30.625" h x 13" d	70.7" w x 59.375" h x 13" d	99.58" w x 59.375" h x 13" d
<b>Graphic</b>	center: 28.875" w x 30.625" h endcaps: 23.5" w x 30.625" h total: 75.875" w x 30.625" h	center: 57.75" w x 30.625" h endcaps: 23.5" w x 30.625" h total: 104.75" w x 30.625" h	center: 86.625" w x 30.625" h endcaps: 23.5" w x 30.625" h total: 133.625" w x 30.625" h	center: 57.75" w x 59.375" h endcaps: 23.5" w x 59.375" h total: 104.75" w x 59.375" h	center: 86.625" w x 59.375" h endcaps: 23.5" w x 59.375" h total: 133.625" w x 59.375" h
<b>Shipping</b>	OCS: 19" l x 45" h x 19" d / 22 lbs	OCS: 19" l x 45" h x 19" d / 23 lbs	OCS: 19" l x 45" h x 19" d / 23 lbs	OCP ELITE: 39" l x 27" h x 18" d / 38 lbs OCP: 40" l x 26" h x 16" d / 38 lbs OCS: 19" l x 45" h x 19" d / 25 lbs	OCP ELITE: 39" l x 27" h x 18" d / 39 lbs OCP: 40" l x 26" h x 16" d / 39 lbs OCS: 19" l x 45" h x 19" d / 26 lbs
	 <b>Curved 4ft (1x1)</b>	 <b>Curved 6ft (2x1)</b>	 <b>Curved 8ft (3x1)</b>	 <b>Curved 6ft (2x2)</b>	 <b>Curved 8ft (3x2)</b>
<b>Footprint</b>	41.7" w x 30.625" h x 12.95" d	69.267" w x 30.625" h x 18.472" d	94.5" w x 30.625" h x 24" d	69.27" w x 59.375" h x 18.47"	94.5" w x 59.375" h x 24" d
<b>Graphic</b>	center: 26.5" w x 30.625" h endcaps: 23.5" w x 30.625" h total: 73.5" w x 30.625" h	center: 53" w x 30.625" h endcaps: 23.5" w x 30.625" h total: 100" w x 30.625" h	center: 79.5" w x 30.625" h endcaps: 126.5" w x 30.625" h total: 123.7" w x 30.625" h	center: 53" w x 59.375" h endcaps: 23.5" w x 59.375" h total: 100" w x 59.375" h	center: 79.5" w x 58.6875" h endcaps: 126.5" w x 58.6875" h total: 123.7" w x 58.6875" h
<b>Shipping</b>	OCS: 19" l x 45" h x 19" d / 22 lbs	OCS: 19" l x 45" h x 19" d / 23 lbs	OCS: 19" l x 45" h x 19" d / 23 lbs	OCP ELITE: 39" l x 27" h x 18" d / 37 lbs OCP: 40" l x 26" h x 16" d / 37 lbs OCS: 19" l x 45" h x 19" d / 24 lbs	OCP ELITE: 39" l x 27" h x 18" d / 40 lbs OCP: 40" l x 26" h x 16" d / 40 lbs OCS: 19" l x 45" h x 19" d / 27 lbs

# Coyote straight and curved popup display specs

	 <p><b>Straight 4ft (1x3)</b></p>	 <p><b>Straight 6ft (2x3)</b></p>	 <p><b>Straight 8ft (3x3)</b></p>	 <p><b>Straight 10ft (4x3)</b></p>
<b>Footprint</b>	41.83"w x 87.56"h x 13"d	70.7"w x 87.56"h x 13"d	99.58"w x 87.56"h x 13"d	128.45"w x 87.56"h x 13"d
<b>Graphic</b>	center: 28.875"w x 87.5625"h endcaps: 23.5"w x 87.5625"h total: 75.875"w x 87.5625"h	center: 57.75"w x 87.5625"h endcaps: 23.5"w x 87.5625"h total: 104.75"w x 87.5625"h	center: 86.625"w x 87.5625"h endcaps: 23.5"w x 87.5625"h total: 133.625"w x 87.5625"h	center: 57.75"w x 87.5625"h endcaps: 23.5"w x 87.5625"h total: 162.5"w x 87.5625"h
<b>Shipping</b>	OCP ELITE: 39"l x 27"h x 18"d / 36 lbs  OCP: 40"l x 26"h x 16"d / 36 lbs	OCP ELITE: 39"l x 27"h x 18"d / 38 lbs  OCP: 40"l x 26"h x 16"d / 38 lbs	OCP ELITE: 39"l x 27"h x 18"d / 43 lbs  OCP: 40"l x 26"h x 16"d / 43 lbs	OCP ELITE: 39"l x 27"h x 18"d / 46 lbs  OCP: 40"l x 26"h x 16"d / 46 lbs
	 <p><b>Curved 4ft (1x3)</b></p>	 <p><b>Curved 6ft (2x3)</b></p>	 <p><b>Curved 8ft (3x3)</b></p>	 <p><b>Curved 10ft (4x3)</b></p>
<b>Footprint</b>	41.7"w x 87.56"h x 13"d	69.27"w x 87.56"h x 18.5"	94.5"w x 87.56"h x 24"d	116.4"w x 87.56"h x 35"d
<b>Graphic</b>	center: 26.5"w x 87.5625"h endcaps: 23.5"w x 87.5625"h total: 73.5"w x 87.5625"h	center: 53"w x 87.5625"h endcaps: 23.5"w x 87.5625"h total: 100"w x 87.5625"h	center: 79.5"w x 87.5625"h endcaps: 23.5"w x 87.5625"h total: 126.5"w x 87.5625"h	center: 106"w x 87.5625"h endcaps: 23.5"w x 87.5625"h total: 153"w x 87.5625"h
<b>Shipping</b>	OCP ELITE: 39"l x 27"h x 18"d / 36 lbs  OCP: 40"l x 26"h x 16"d / 36 lbs	OCP ELITE: 39"l x 27"h x 18"d / 40 lbs  OCP: 40"l x 26"h x 16"d / 40 lbs	OCP ELITE: 39"l x 27"h x 18"d / 43 lbs  OCP: 40"l x 26"h x 16"d / 43 lbs	OCP ELITE: 39"l x 27"h x 18"d / 46 lbs  OCP: 40"l x 26"h x 16"d / 46 lbs

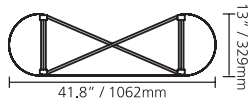
# Coyote popup display specs

	 <b>8' Serpentine</b>	 <b>10' Serpentine</b>	 <b>20' Serpentine</b>
<b>Footprint</b>	97.62" w x 87.56" h x 20" d	125.25" w x 87.56" h x 21.63" d	219.5" w x 87.56" h x 54.38" d
<b>Graphic</b>	center: 84.8125" w x 87.5625" h endcaps: 23.5" w x 87.5625" h total: 132.8125" w x 87.5625" h	center: 116.625" w x 87.5625" h endcaps: 23.5" w x 87.5625" h total: 164.625" w x 87.5625" h	(4) 4x3 front curved: 106" w x 87.5625" h (3) 3x3 rear curved: 95.4375" w x 87.5625" h (1) connector: 28.875" w x 87.5625" h endcaps: 23.5" w x 87.5625" h total: 278.3125" w x 87.5625" h
<b>Shipping</b>	OCP ELITE: 39" l x 27" h x 18" d / 88 lbs  OCP: 40" l x 26" h x 16" d / 78 lbs	OCP ELITE: 39" l x 27" h x 18" d / 93 lbs  OCP: 40" l x 26" h x 16" d / 83 lbs	(2) OCP ELITE: 39" l x 27" h x 18" d / 211 lbs  (2) OCP: 40" l x 26" h x 16" d / 191 lbs
	 <b>Horseshoe</b>	 <b>Deluxe Horseshoe</b>	 <b>Gullwing</b>
<b>Footprint</b>	125" w x 87.56" h x 54.34" d	196.837" w x 87.56" h x 61.28" d	229.4" w x 87.56" h x 35" d
<b>Graphic</b>	(1) 3x3 straight frame: 86.625" w x 87.5625" h (4) 1x3 straight frames: 28.875" w x 87.5625" h (2) connectors: 10" w x 87.5625" h endcaps: 23.5" w x 87.5625" h total: 270.125" w x 87.5625" h	(1) 3x3 straight frame: 86.625" w x 87.5625" h (4) 1x3 straight frames: 28.875" w x 87.5625" h (2) connectors: 10" w x 87.5625" h (4) endcaps: 23.5" w x 87.5625" h total: 316.125" w x 87.5625" h	(2) 4x3 curved frames: 106" w x 87.5625" h (1) connector: 24.5" w x 87.5625" h endcaps: 23.5" w x 87.5625" h total: 284.5" w x 87.5625" h
<b>Shipping</b>	(2) OCP ELITE: 39" l x 27" h x 18" d / 171 lbs  (2) OCP: 40" l x 26" h x 16" d / 151 lbs	(2) OCP ELITE: 39" l x 27" h x 18" d / 211 lbs  (2) OCP: 40" l x 26" h x 16" d / 212 lbs	(2) OCP ELITE: 39" l x 27" h x 18" d / 211 lbs  (2) OCP: 40" l x 26" h x 16" d / 191 lbs

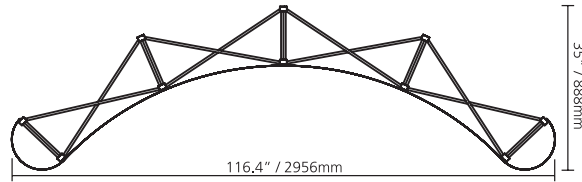


# Coyote frame footprints

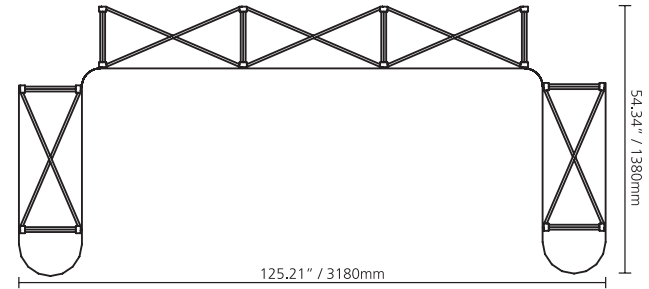
1x1, 1x3 STRAIGHT



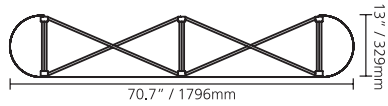
4x3 CURVED



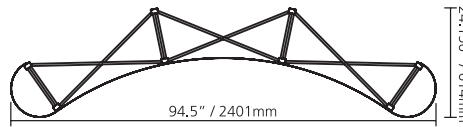
HORSESHOE STANDARD



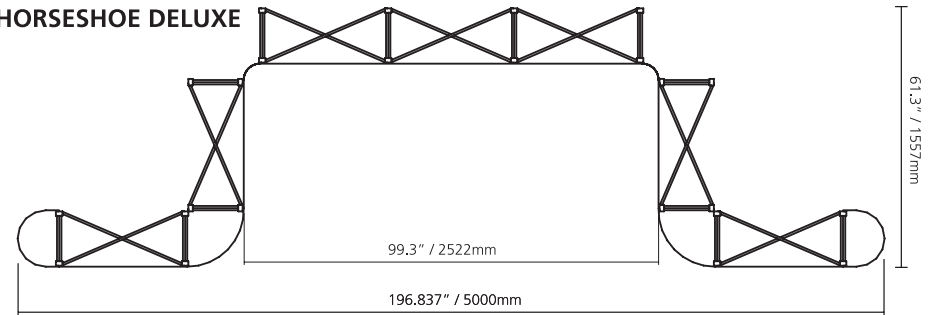
2x1, 2x2, 2x3 STRAIGHT



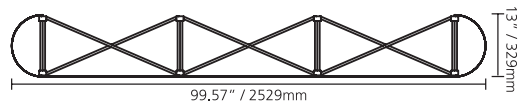
3x1, 3x2, 3x3 CURVED



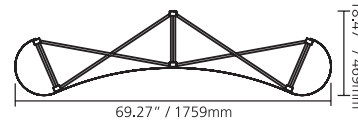
HORSESHOE DELUXE



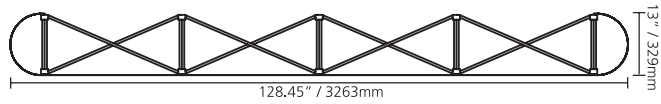
3x1, 3x2, 3x3 STRAIGHT



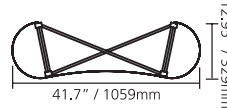
2x1, 2x2, 2x3 CURVED



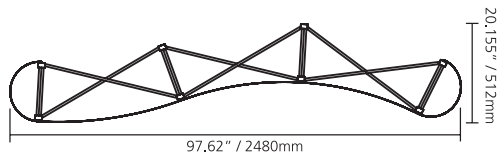
4x3 STRAIGHT



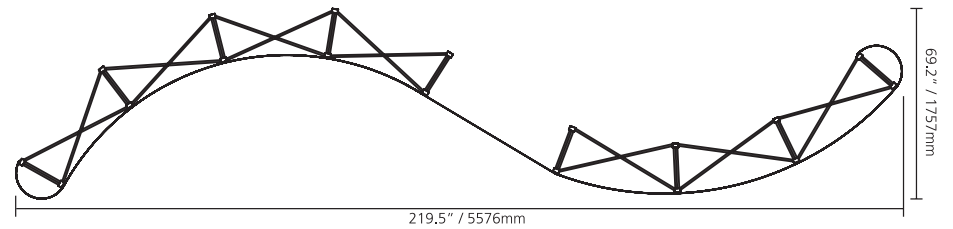
1x1, 1x3 CURVED



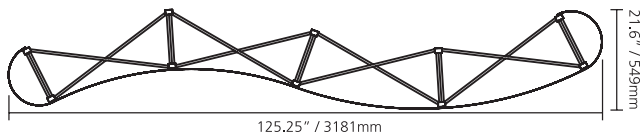
8' SERPENTINE



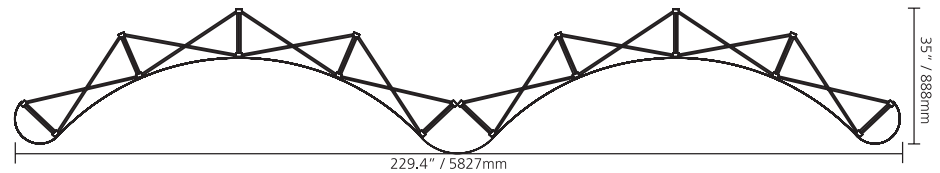
20' SERPENTINE



10' SERPENTINE



GULLWING



# Coyote popup display set up instructions

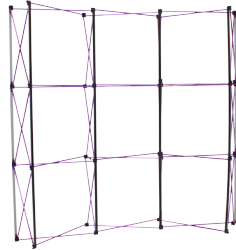
## Frame Assembly

1



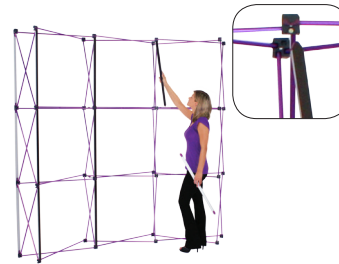
Prepare frame for assembly by locating the purple hooks on top of the frame.

2



Stretch frame to size, snapping magnetic locking arms together.

3



Attach magnetic channel bars to circular magnets. \*To prevent loss of polarity, do not slide the small circular magnet along the flexible strip magnet.

4



Frame is assembled.

## Graphic Application

1



Attach panels starting with left curved endcap panel. Hook panel on purple hooks on front and back of frame. Attach rest of panel to magnetic channel bar.

2



Attach graphic panels from left to right. Hook panels on purple hooks and apply panel to the magnetic channel bar.

3



Continue to attach remaining panels by hooking to purple hooks. Make sure all panel edges align with middle line on channel bars.

4



Graphic application is complete.

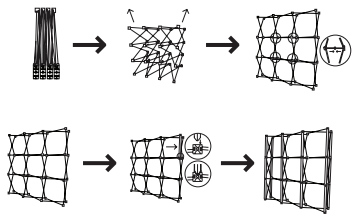


watch video

# Coyote popup accessory instructions - Bubble Panel

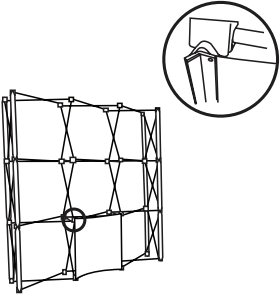
## Assembly

1



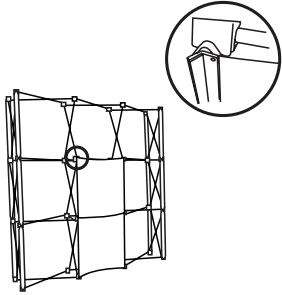
Assemble Coyote frame as directed on page 9.

2



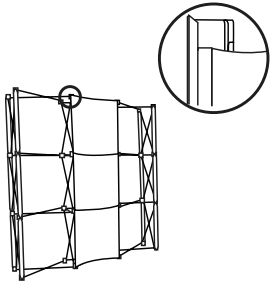
Attach channel bars with L bracket on middle of frame. Hook bottom panel to frame and channel bar.

3



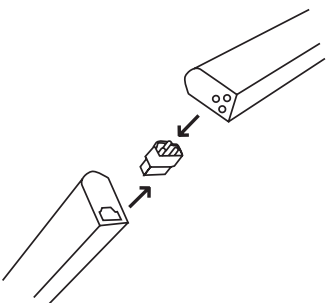
Hook middle panel to frame and channel bar.

4



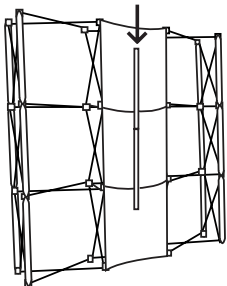
Hook top panel to frame and channel bar.

5



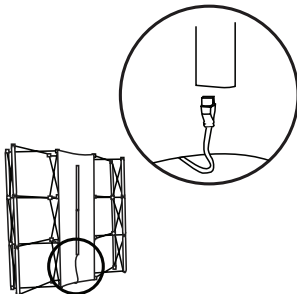
Connect electrical prong to light strips.

6



Attach lights to velcro strip on panels.

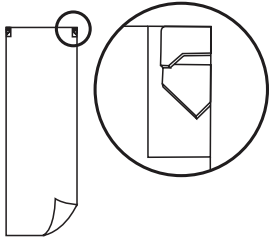
7



Snake power cord from under frame and connect to light source.

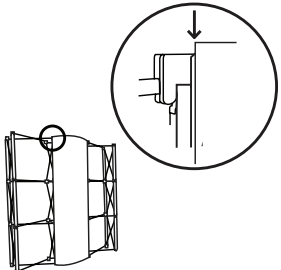
## Graphic Assembly

8



Locate purple hook on the top of the bubble panel.

9



Hook left side of purple hook into L bracket. Bend panel and repeat for the right side.

10



Display is complete.

# Coyote popup accessory instructions - Monitor Mount

COYOTE MONITOR MOUNT BRACKET: COY-MM-BRKT

## Assembly

1

Assemble Coyote frame as directed on page 9.

2

Apply all graphic panels, excluding the center.

3

Attach vertical bar onto frame.

4

Lock the horizontal bar onto the vertical bar by tightening the screw into place.

5

Apply center graphic panel and make sure opening is at the top of the display.

6

Locate the monitor and attach the bracket on the back.

7

Attach the monitor bracket to the horizontal pole. Tighten in place.

8

**\*Monitor mount max weight = approx 15 lbs.**

Display is complete.

## VESA Monitor Patterns: 50, 75 and 100

**50mm pattern**

**75mm pattern**

**100mm pattern**

horizontal bar  
(3 sizes, large for rear curve panel, medium for straight panel, small for front curved panel)

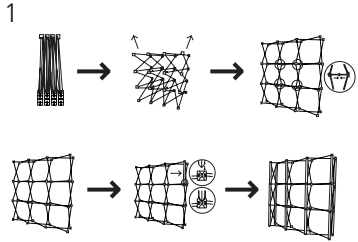
vertical bar

monitor bracket

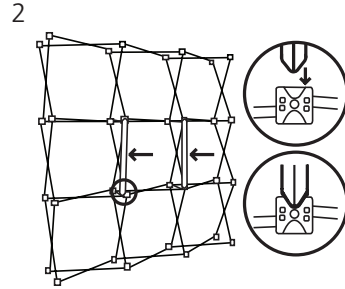
monitor (not provided)

# Coyote popup accessory instructions - Internal Shelf

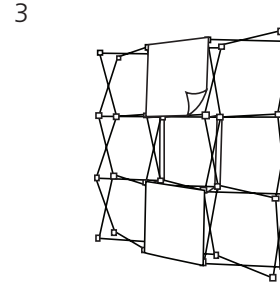
## Assembly



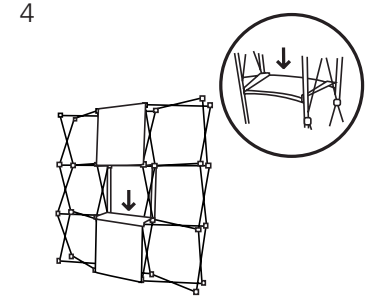
Assemble Coyote frame as directed on page 9.



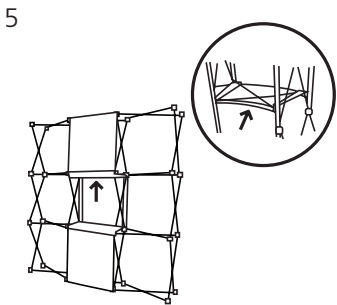
Apply magnetic channel bars to frame.



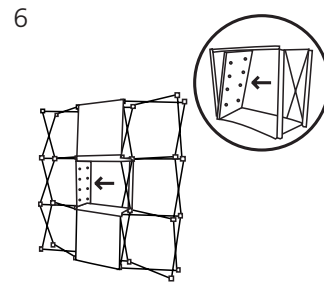
Attach top and bottom graphic panels to frame.



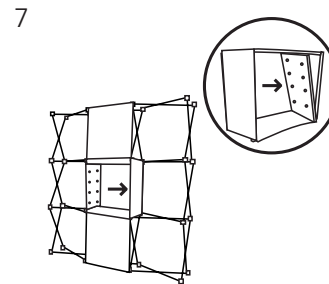
Place black plastic panel in middle of frame on the bottom.



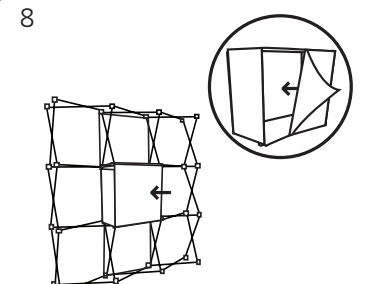
Insert a black plastic panel into the top of middle frame and hold in place.



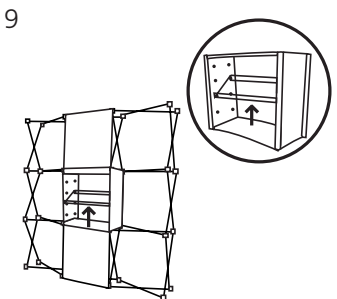
While holding top siding in place, insert left vertical siding.  
\*Make sure the sides have grooves for shelf.



Continue holding the top shelf and insert right side. \*Make sure the sides have grooves for shelf.

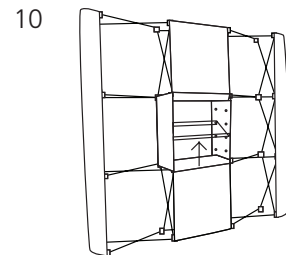


Place graphic panel on the back of the frame, behind middle opening to enclose the space.



Insert clear shelving using the grooves on black plastic panels to hold in place.

## Graphic Application



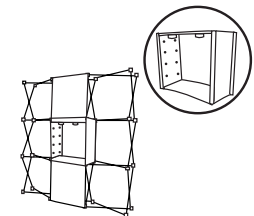
Start attaching graphic panels, doing the end caps first then center graphics.



Display is complete.

## Optional Light Kit

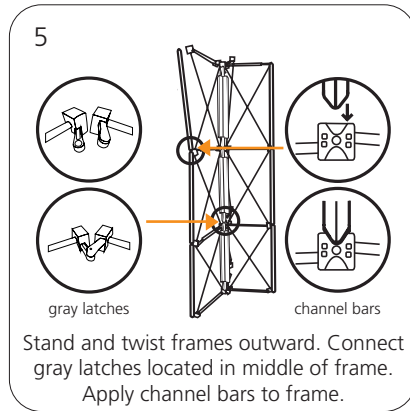
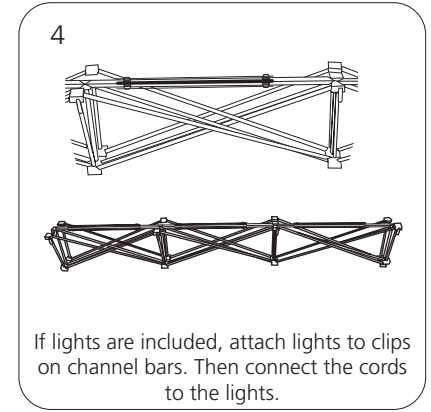
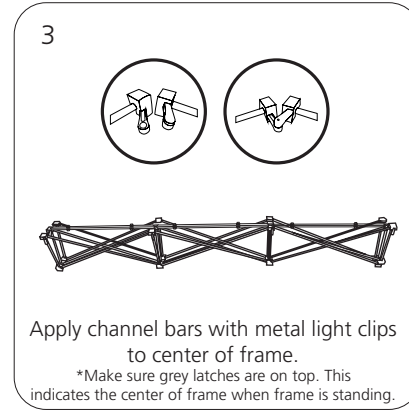
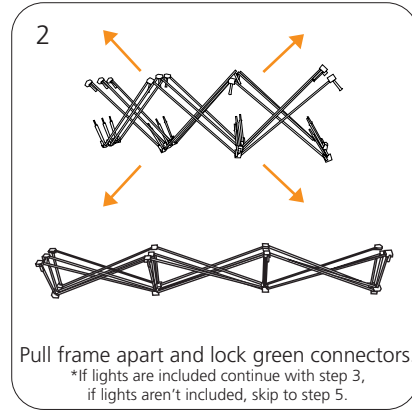
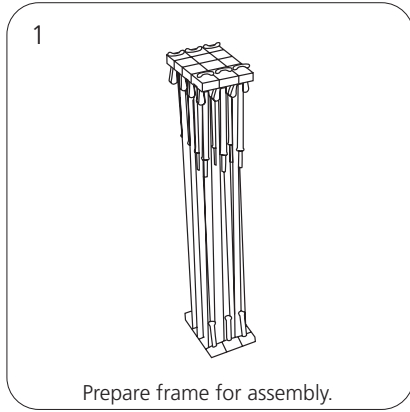
12 **Includes:**  
2 puck lights, power cord & power adapter



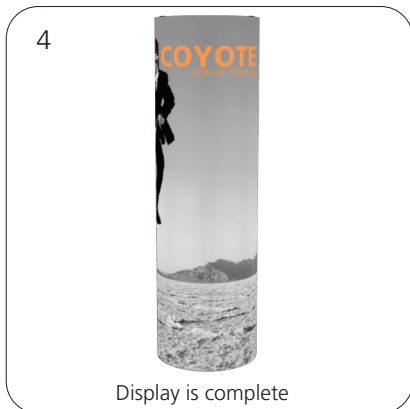
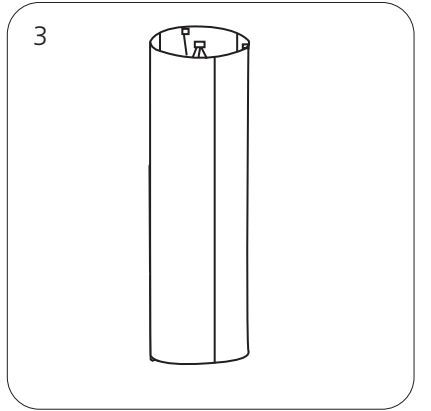
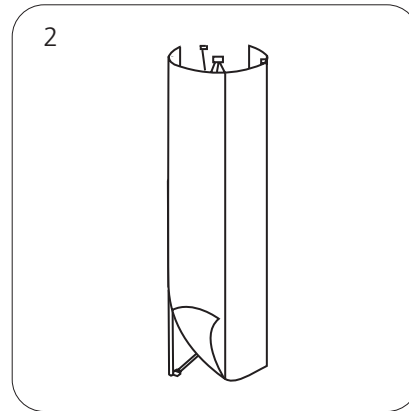
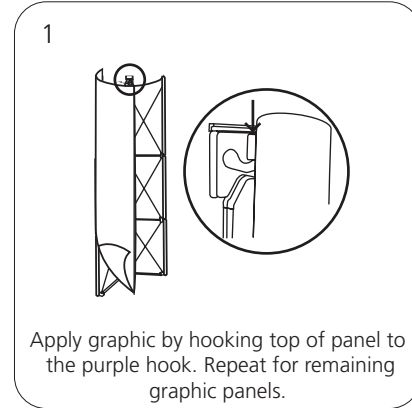
Lights will come pre-installed in top of shelf kit.

# Coyote accessory instructions - Tower

## Assembly

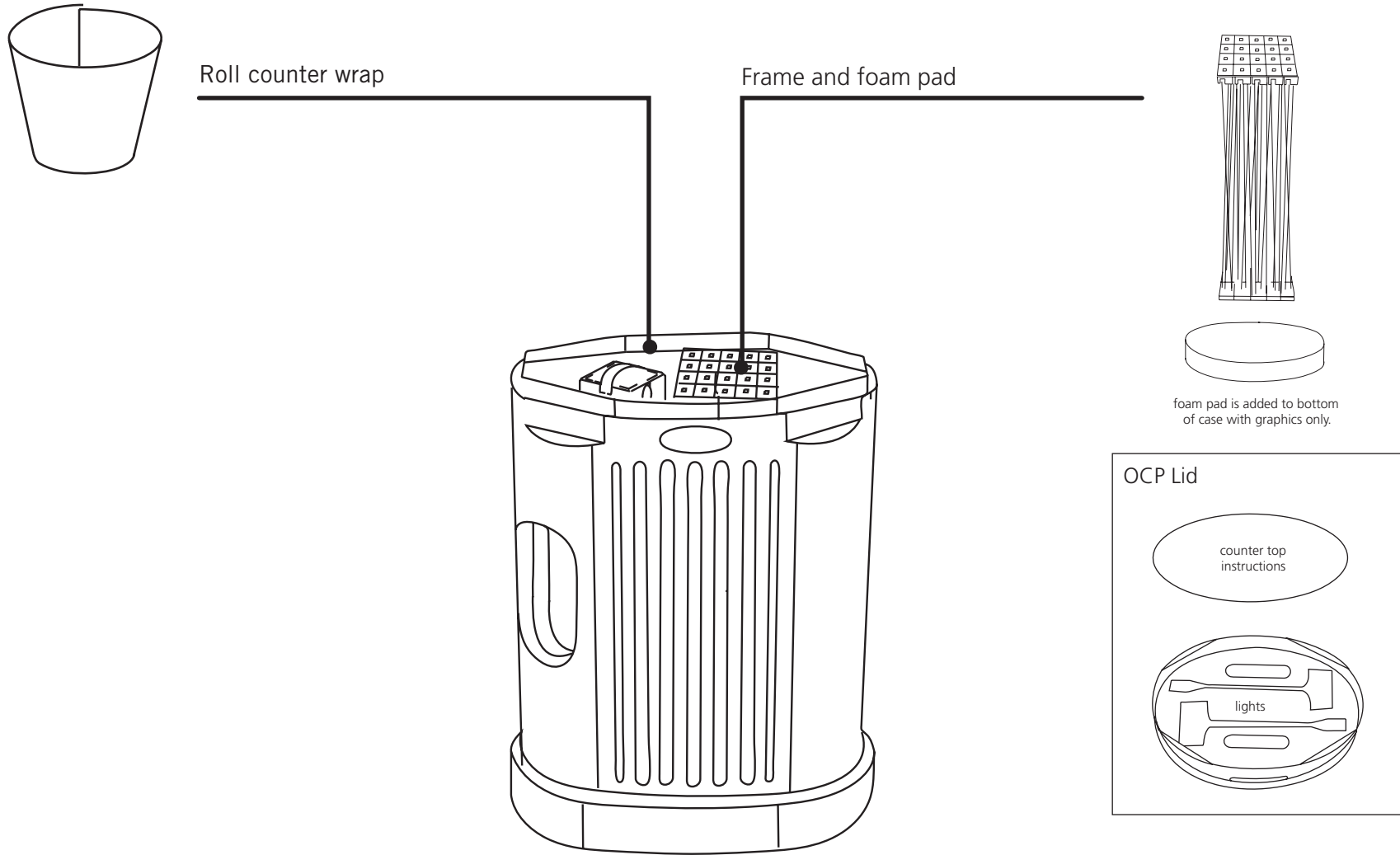


## Graphic Assembly





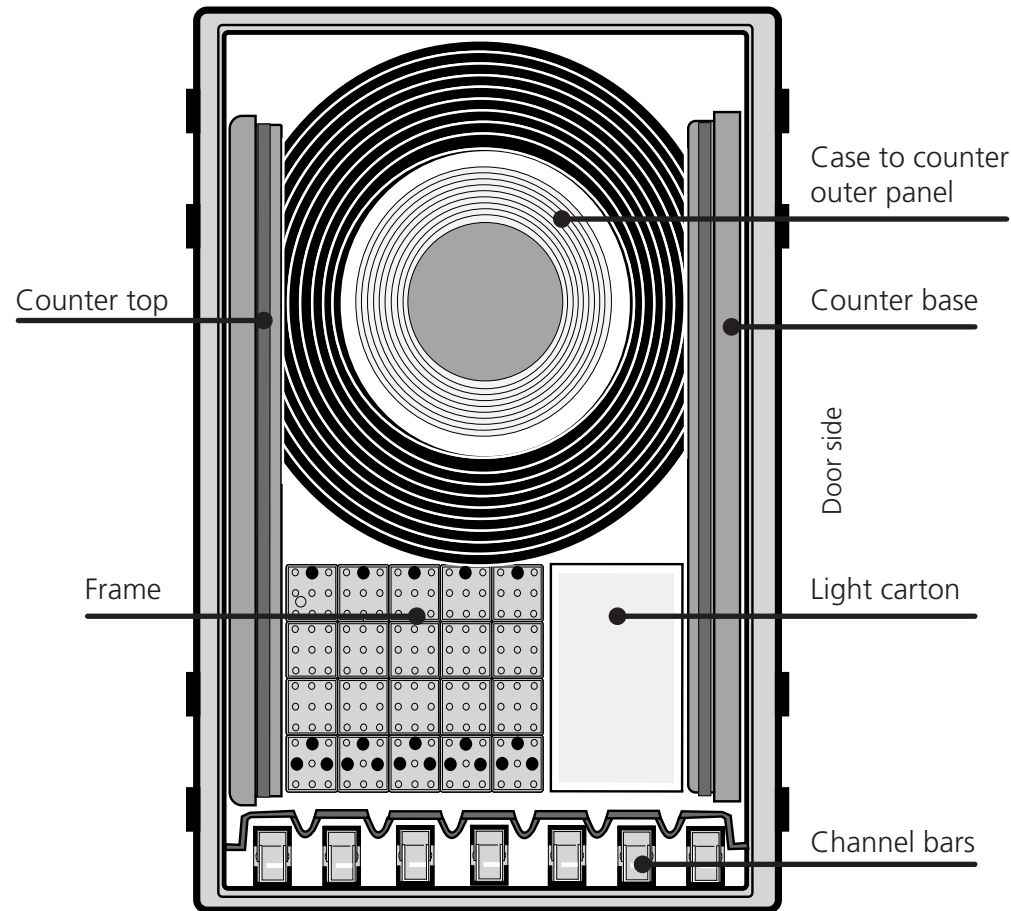
# Coyote popup OCP packing instructions



## Packing instructions

1. Roll counter wrap with plastic facing out and place inside the case against the outside wall.
2. Individually roll panels and place inside case until all panels are in the case and against the outside wall. (fabric to fabric/ magnet to magnet)
3. Pack channel bar into the storage bag. Then release magnetic locking arms to collapse the frame.
4. Place foam pad in bottom of case then pack frame and bag in the center.
5. Counter top snaps inside lid holding the lights in place.  
\*Allow lights to cool before packing.

# Coyote popup OCP Elite packing instructions



## Packing instructions

1. Insert channel bars upright into the holder in the bottom of the case. Slide the counter base into the case along the door side.

2. Place the counter top in the protective bag, then place it in the case along the side opposite the door.

3. Pack the frame next to the channel bar holder.

4. Place the wrapped panels between the counter base and counter top.

5. Roll up the case-to-counter outer panel. Secure it with rubber bands and insert it in the center of the wrapped panels into the well in the bottom of the case.

6. Slide the light carton between the frame and counter base.