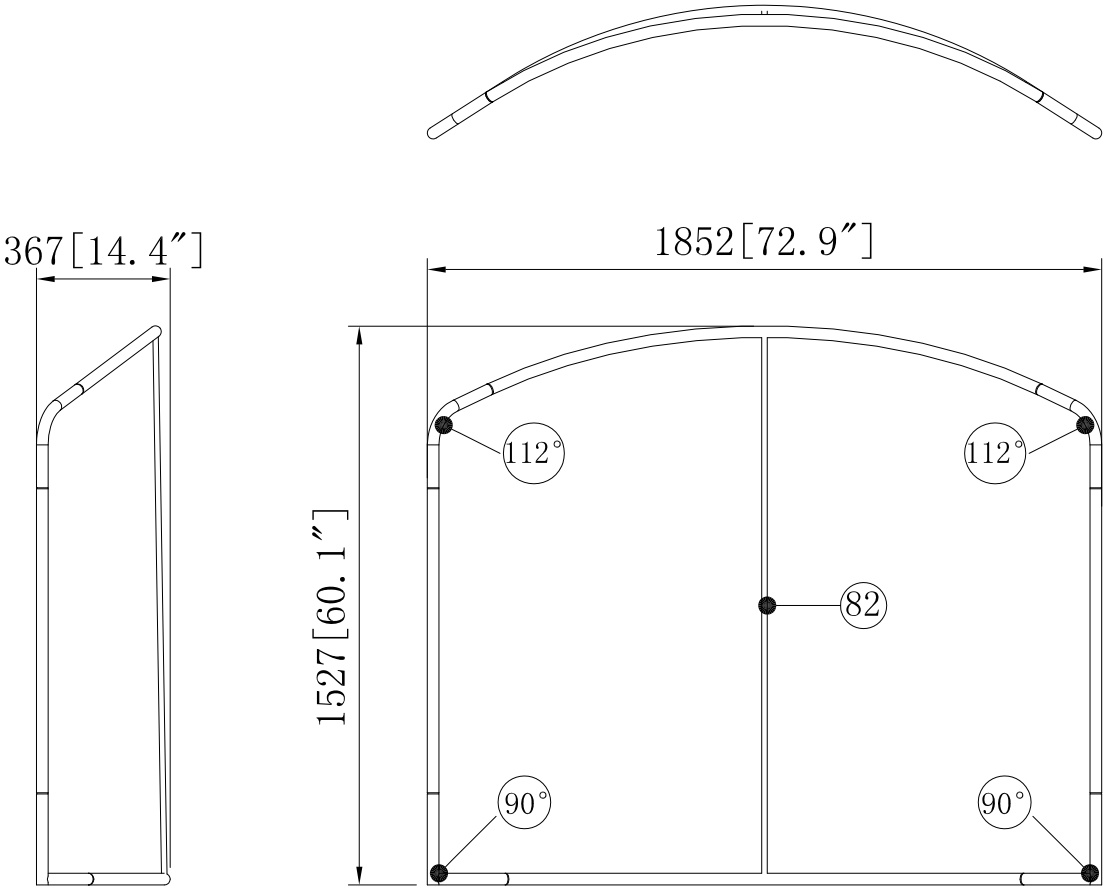


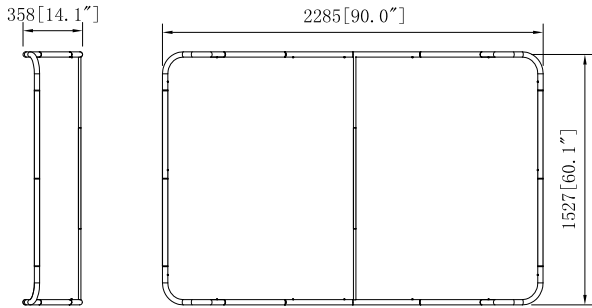
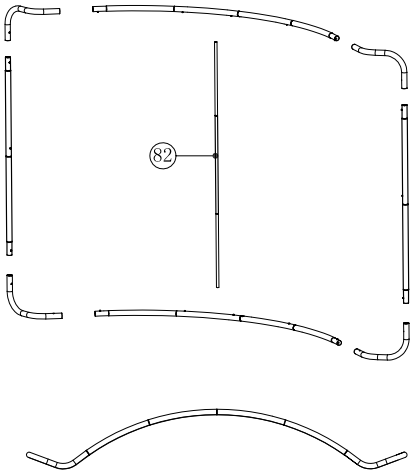
WAVELINE®
DISPLAYS

WL-H-22C



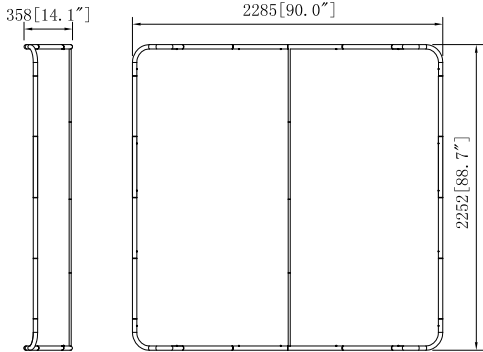
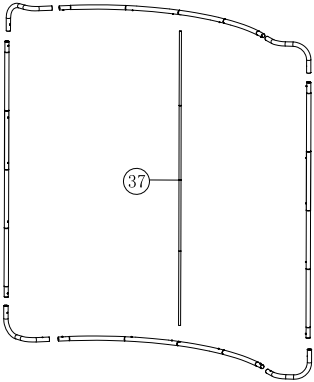
Hardware												Graphics		Accessories			Shipping Case			TV Kit		
WL-H-22C	1												Single or Double-sided				CA900					
													None				CA500					
													Complete				NYLON BAG					
													Split-ship									
No.	Quantity	Confirm	No.	Quantity	Confirm	No.	Quantity	Confirm	No.	Quantity	Confirm		Confirm	No.	Quantity	Confirm	No.	Quantity	Confirm	No.	Quantity	Confirm

WL-H-32C



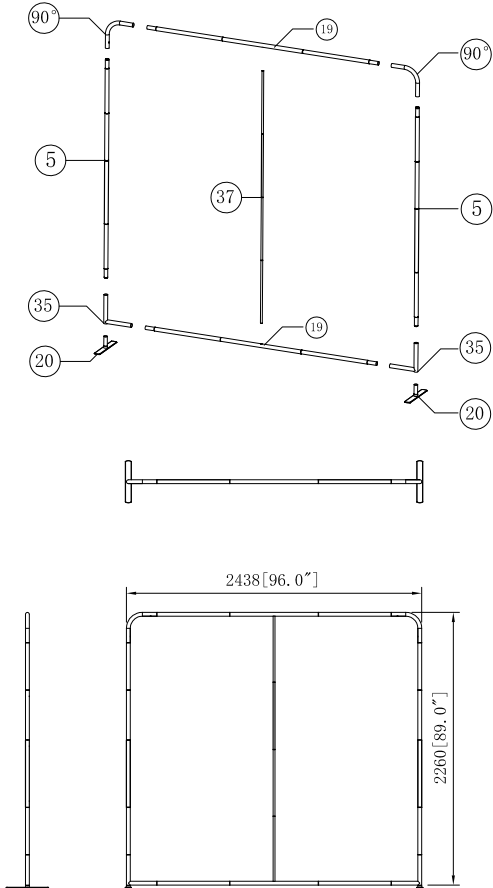
Hardware												Graphics		Accessories			Shipping Case			TV Kit		
No.	Quantity	Confirm	No.	Quantity	Confirm	No.	Quantity	Confirm	No.	Quantity	Confirm	Confirm	No.	Quantity	Confirm	No.	Quantity	Confirm	No.	Quantity	Confirm	
WL-H-32C	1		/			/			/				Single or Double-sided			CA900						
			/			/			/				None			CA500						
			/			/			/				Complete			NYLON BAG						
			/			/			/				Split-ship									
			/			/			/													

WL-H-33C



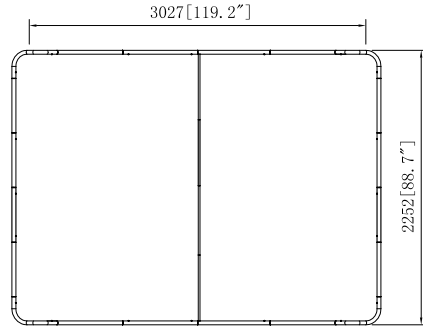
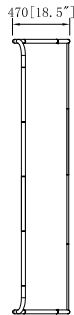
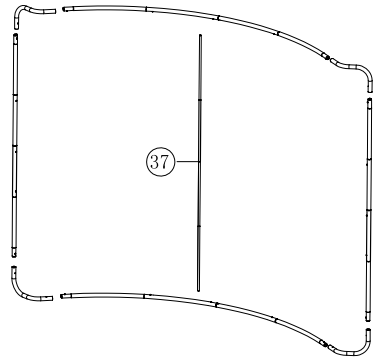
Hardware												Graphics		Accessories			Shipping Case			TV Kit			
No.	Quantity	Confirm	No.	Quantity	Confirm	No.	Quantity	Confirm	No.	Quantity	Confirm		Confirm	No.	Quantity	Confirm	No.	Quantity	Confirm	No.	Quantity	Confirm	
WL-H-33C	1		/			/			/														

WL-H-33F



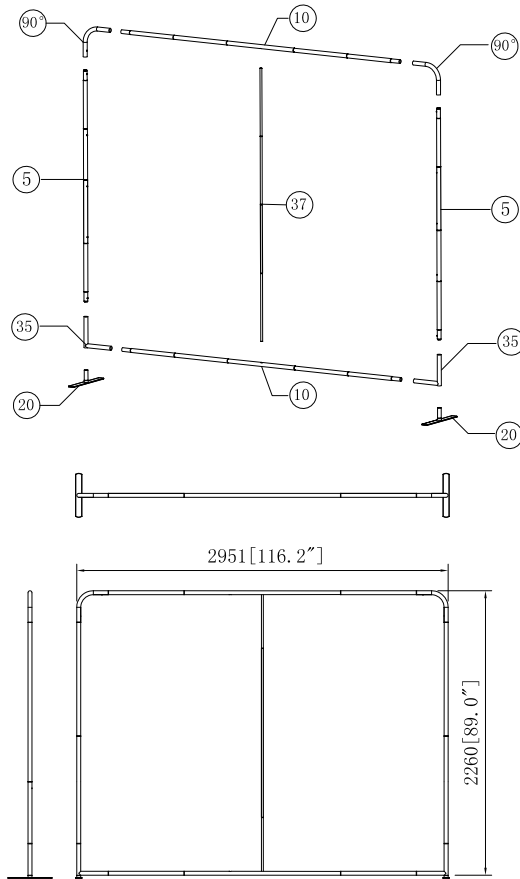
Hardware												Graphics		Accessories			Shipping Case			TV Kit		
WL-H-33F	1												Single or Double-sided				CA900					
													None				CA500					
													Complete				NYLON BAG					
													Split-ship									
No.	Quantity	Confirm	No.	Quantity	Confirm	No.	Quantity	Confirm	No.	Quantity	Confirm		Confirm	No.	Quantity	Confirm	No.	Quantity	Confirm	No.	Quantity	Confirm

WL-H-43C



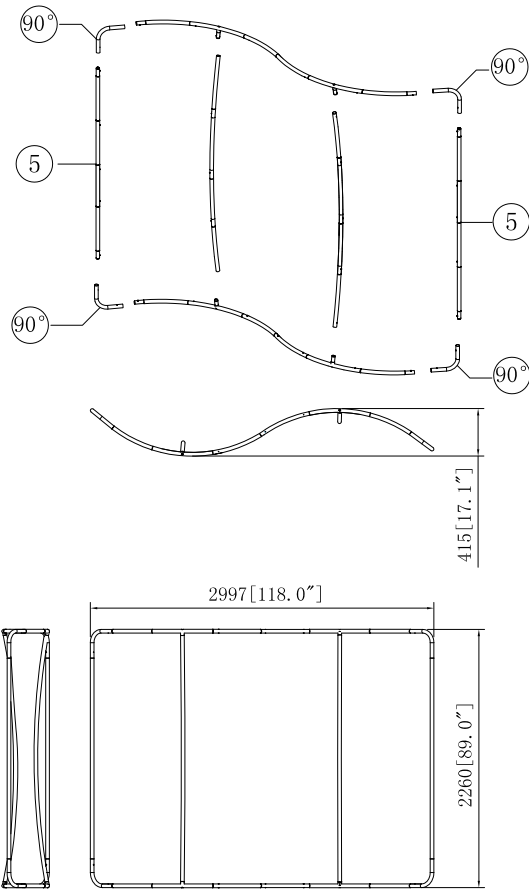
Hardware												Graphics		Accessories			Shipping Case			TV Kit		
WL-H-43C	1												Single or Double-sided				CA900					
													None				CA500					
													Complete				NYLON BAG					
													Split-ship									
No.	Quantity	Confirm	No.	Quantity	Confirm	No.	Quantity	Confirm	No.	Quantity	Confirm		Confirm	No.	Quantity	Confirm	No.	Quantity	Confirm	No.	Quantity	Confirm

WL-H-43F



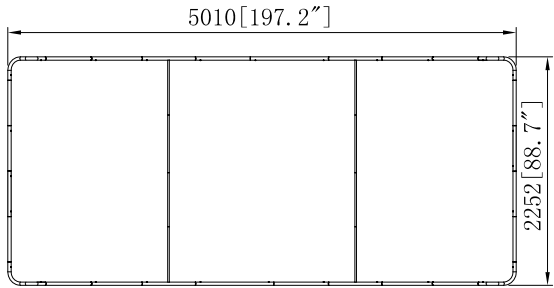
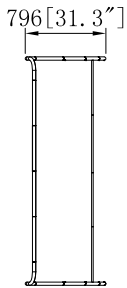
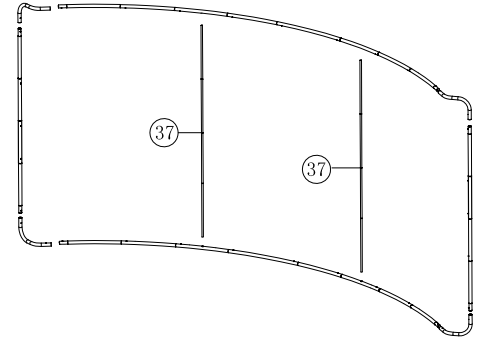
Hardware											Graphics		Accessories			Shipping Case			TV Kit			
WL-H-43F	2											Single or Double-sided				CA900						
												None				CA500						
												Complete				NYLON BAG						
												Split-ship										
No.	Quantity	Confirm	No.	Quantity	Confirm	No.	Quantity	Confirm	No.	Quantity	Confirm	Confirm	No.	Quantity	Confirm	No.	Quantity	Confirm	No.	Quantity	Confirm	

WL-H-43S



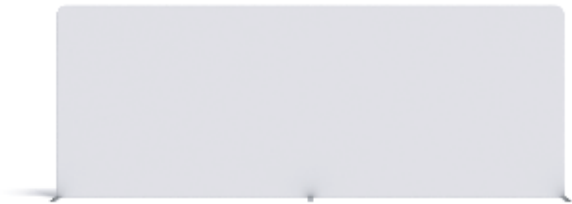
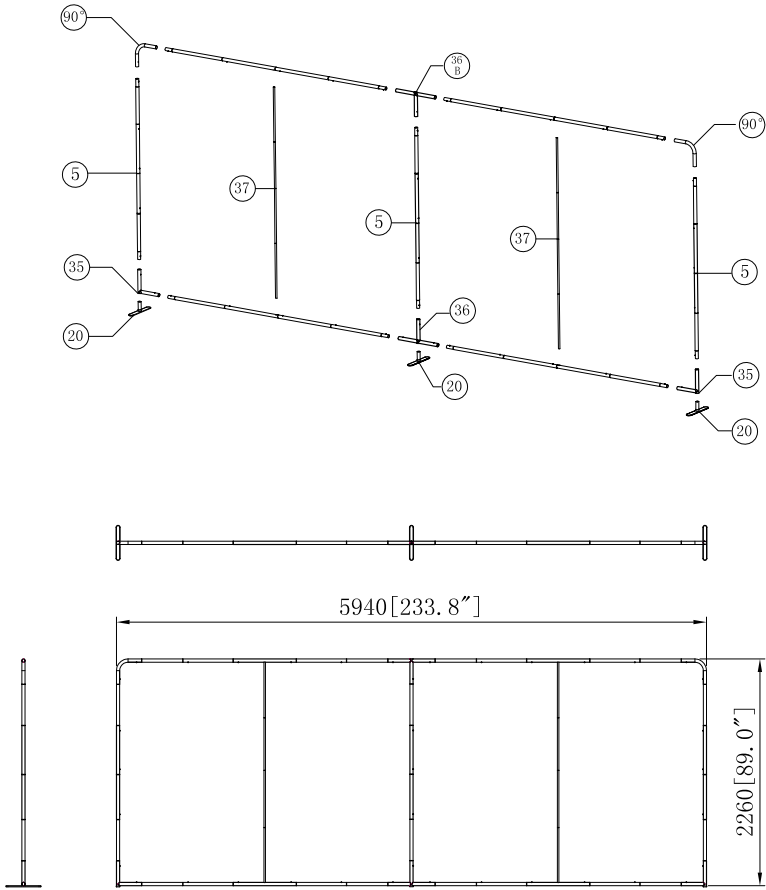
Hardware												Graphics		Accessories			Shipping Case			TV Kit		
WL-H-43S	1												Single or Double-sided				CA900					
													None				CA500					
													Complete				NYLON BAG					
													Split-ship									
No.	Quantity	Confirm	No.	Quantity	Confirm	No.	Quantity	Confirm	No.	Quantity	Confirm		Confirm	No.	Quantity	Confirm	No.	Quantity	Confirm	No.	Quantity	Confirm

WL-H-73C



Hardware												Graphics		Accessories			Shipping Case			TV Kit		
WL-H-73C	1												Single or Double-sided				CA900					
													None				CA500					
													Complete				NYLON BAG					
													Split-ship									
No.	Quantity	Confirm	No.	Quantity	Confirm	No.	Quantity	Confirm	No.	Quantity	Confirm		Confirm	No.	Quantity	Confirm	No.	Quantity	Confirm	No.	Quantity	Confirm

WL-H-73F



Hardware												Graphics		Accessories			Shipping Case			TV Kit		
WL-H-73F	1												Single or Double-sided				CA900					
													None				CA500					
													Complete				NYLON BAG					
													Split-ship									
No.	Quantity	Confirm	No.	Quantity	Confirm	No.	Quantity	Confirm	No.	Quantity	Confirm		Confirm	No.	Quantity	Confirm	No.	Quantity	Confirm	No.	Quantity	Confirm