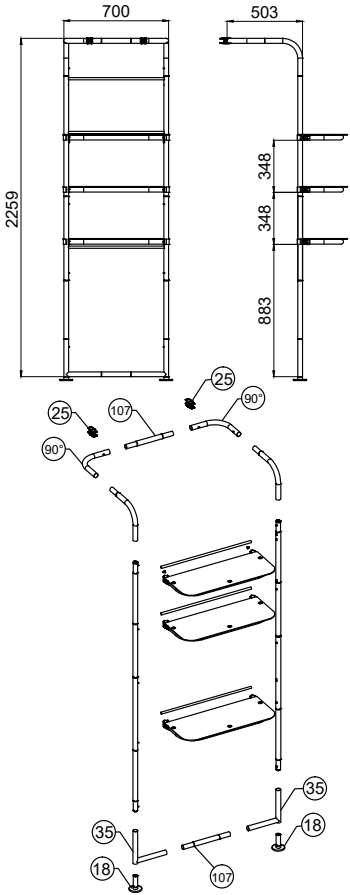


WFA-H-FRAME



WFA-P-PS

Hardware												Graphics		Accessories			Shipping Case			Option		
18	2											Single or Double-sided				CA900						
35	2											None				CA500						
107	2											Complete				NYLON BAG						
25	2											Split-ship										
90°	2																					
No.	Quantity	Confirm	No.	Quantity	Confirm	No.	Quantity	Confirm	No.	Quantity	Confirm		Confirm	No.	Quantity	Confirm	No.	Quantity	Confirm	No.	Quantity	Confirm