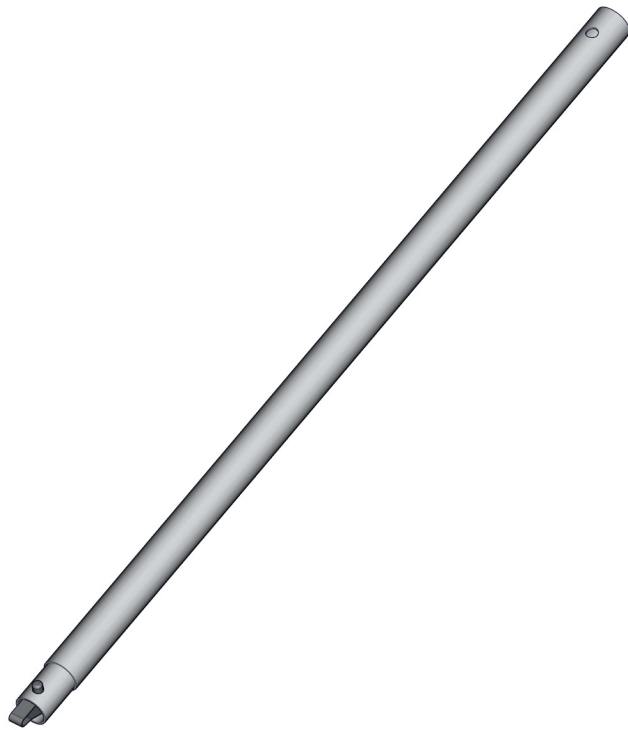


Formulate Master Backwall 2ft Height Extension Hardware

TUBE-713-S

Your Formulate® Display Wall conveys your message and communicates your ideas to the world but what if the standard height just isn't enough? Now you have the option to add an additional 2 feet in height to most Formulate display walls creating the ultimate impact for your brand! Make the most of your message with an easy to assemble display addition that will attract attention from across the room.



features and benefits:

- 30mm anodized silver extrusion
- Male end is swage fit with snap button
- Female end is open with hole for snap button
- Tool-less and easy to install snap button connections
- Converts an 8ft high backwall kit into a 10ft high back wall
- Lifetime hardware warranty against manufacturer defects

dimensions:

Hardware

Graphic

30.34" w x 1.37" h x 1.16" d
771mm(w) x 35mm(h) x 30mm(d)

Approximate weight:
1 lb / 1 kg

Refer to related graphic template for more information.

Visit:
www.exhibitors-handbook.com/graphic-templates

Shipping

additional information:

1 Box: 32" l x 5" h x 5" d
813mm(l) x 127mm(h) x 127mm(d)

Approximate shipping weight(s):
TUBE-713-S
1 lb / 1 kg

FMLT-10FT-EXT-3
2 lb / 1 kg

FMLT-10FT-EXT-3-HC
11 lb / 5 kg

FMLT-10FT-EXT-4-HC
12 lb / 6 kg

FMLT-10FT-EXT-5
4 lb / 2 kg

FMLT-10FT-EXT-7-HC
18 lb / 9 kg

When included in a larger kit, a different packaging solution will be listed to accommodate all contents of the kit. Individual packaging no longer provided.

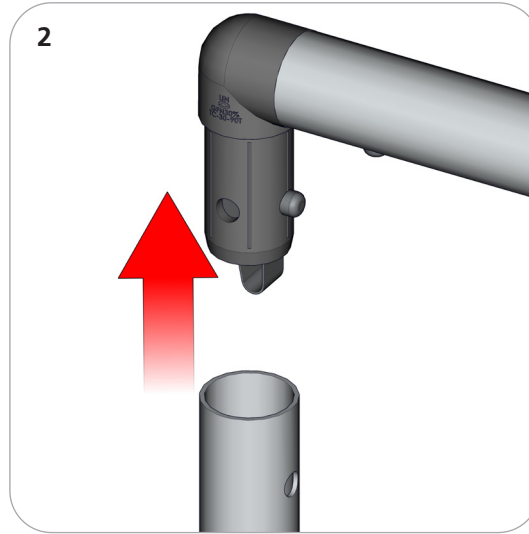
We are continually improving and modifying our product range and reserve the right to vary the specifications without prior notice. All dimensions and weights quoted are approximate and we accept no responsibility for variance. E&OE. See Graphic Templates for graphic bleed specifications.

Connection Methods

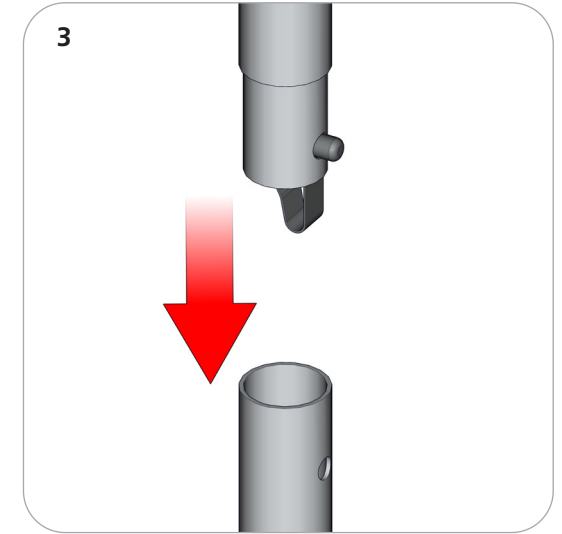
TUBE-713-S



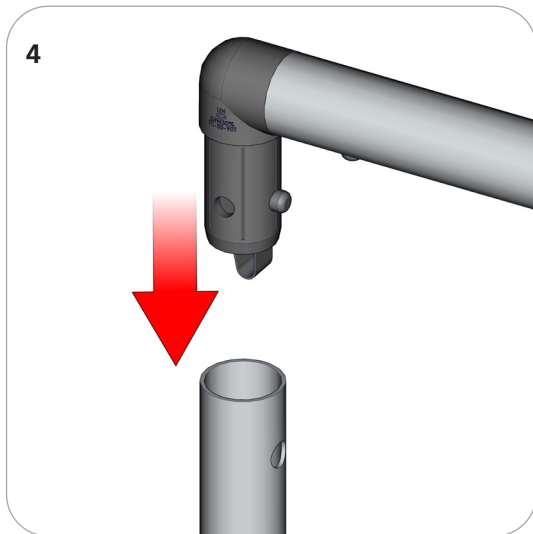
First, notice that the 30mm tube spreader has been universally created to feature a swaged end and an open end to fit with most Formulate display wall frames.



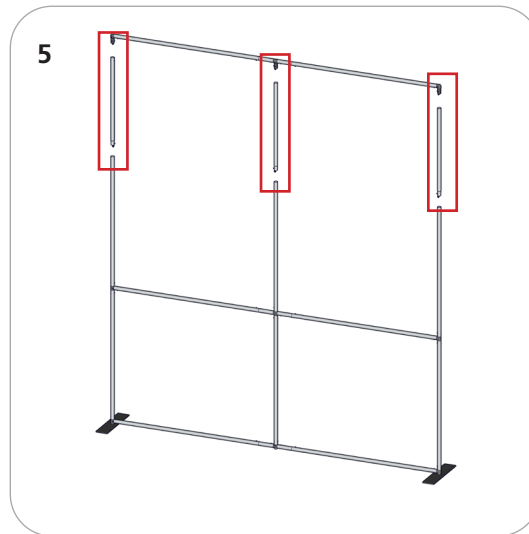
Second, disconnect the snap button connectors at the top of the display wall frame. Continue to remove the entire horizontal row of tubes.



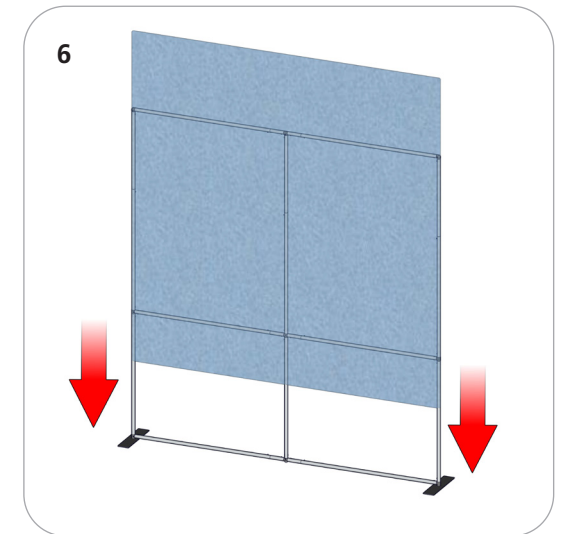
Third, take the male end of the spreader tube and snap it in place of the back wall snap button connectors.



Fourth, take the male end of the plastic connector and snap it into the spreader tube open end.



Fifth, repeat steps 2 - 4 for the rest of the back wall upright connections.



Sixth, apply the 10' high fabric pillowcase over the back frame and zipper it closed.