

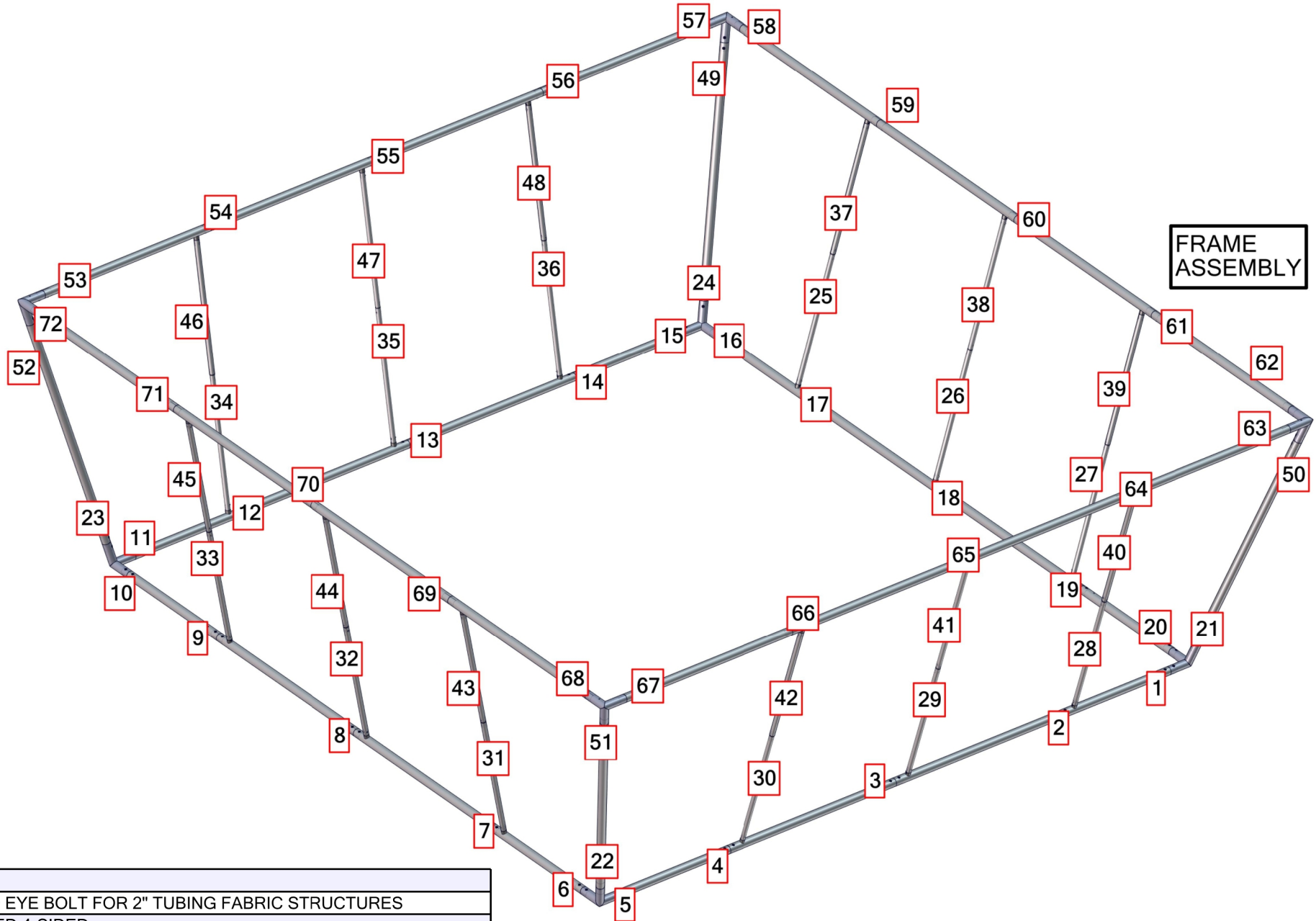
TSQU-1806

SET UP INSTRUCTIONS:

1. CONNECT BOTTOM AND TOP TUBES FOLLOWING THE LABELS
2. CONNECT SIDE TUBES
3. CLEAN THE FRAME AND PLACE THEM ON CLEAN PLACE
4. CAREFULLY REMOVE FABRIC COVER FROM BAG
5. PLACE COVER AROUND THE BOTTOM OF THE FRAME
6. PULL COVER CAREFULLY UP TO THE TOP
7. CLOSE ALL ZIPPERS
8. ADJUST FABRIC AROUND THE FRAME
9. CONNECT CABLE HARNESS TO THE EYEBOLTS
10. COMPLETELY TIGHTEN THREADED CONNECTORS

BREAK DOWN INSTRUCTIONS:
REVERSE SET-UP STEPS TO BREAKDOWN FRAME

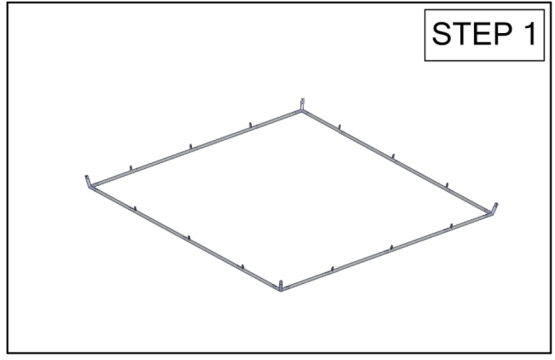
- FABRIC CARE INSTRUCTIONS:**
1. UNZIP COVER ZIPPERS
 2. CAREFULLY REMOVE FABRIC COVER
 3. CLOSE ALL ZIPPERS
 4. FOLD OR ROLL NEATLY
 5. PLACE FABRIC IN COVER BAG



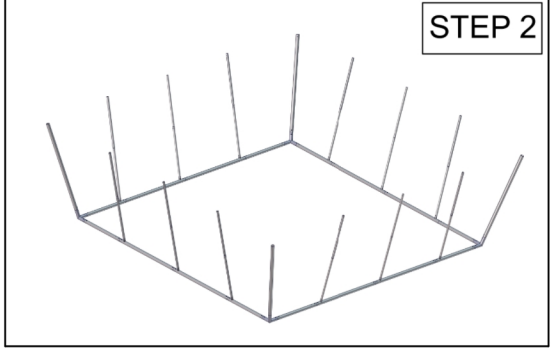
FRAME ASSEMBLY

TOTAL WEIGHT: 188.0 (lbs)
MAX SIZE: 51.3 (in)
HARDWARE: 114.8 (lbs)
GRAPHIC: 61.7 (lbs)

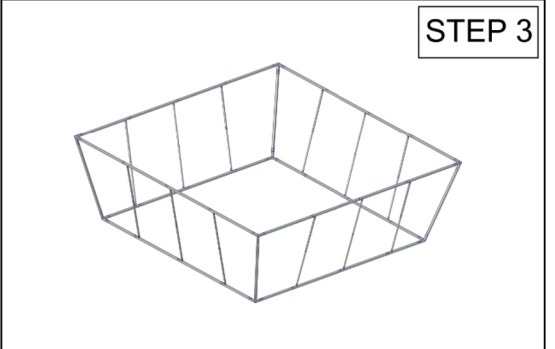
QTY	CODE	DESCRIPTION
8	EYE BOLT	5/16-18X3.125" PARTIALLY THREADED EYE BOLT FOR 2" TUBING FABRIC STRUCTURES
4	CORNER-50-T-L	BOTTOM 50MM CORNER FOR TAPERED 4-SIDED
4	CORNER-50-T-U	TOP 50MM CORNER FOR 50MM 4-SIDED TAPERED
48	ES-50	EXPANDING SPIGOT FOR 50MM TUBE
8	HD-10	120" LENGTH 1/8" 7X7 GALVANIZED STEEL CABLE NATURAL VINYL COATED TO 3/16" OD
1	3711T22	Oval Threaded Connector with Large Opening, Zinc-Plated Steel, 3/16" Diameter, 550 lb. Work Load Limit
24	SPRD-30-S10-6	30MM SPREADER FOR 50MM 6"H TAPERED 4-SIDED
4	SPRD-50-S3-6	50MM CORNER SPREADER FOR 5"H TAPERED 4-SIDED
8	TSQU-18-T2-6	50MM BOTTOM TUBE FOR 1806 TAPERED 4-SIDED
24	TSQU-18-T1	50MM TOP TUBE FOR 18' TAPERED 4-SIDED



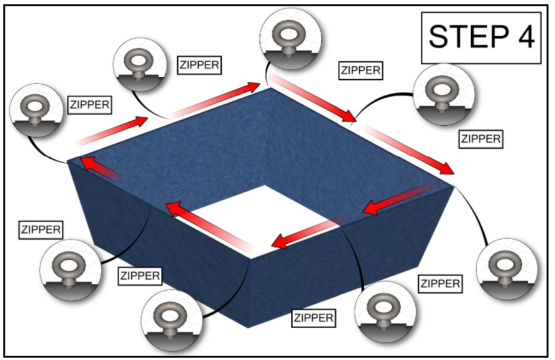
STEP 1



STEP 2



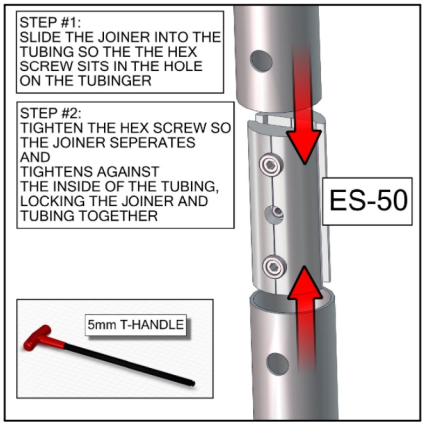
STEP 3



STEP 4



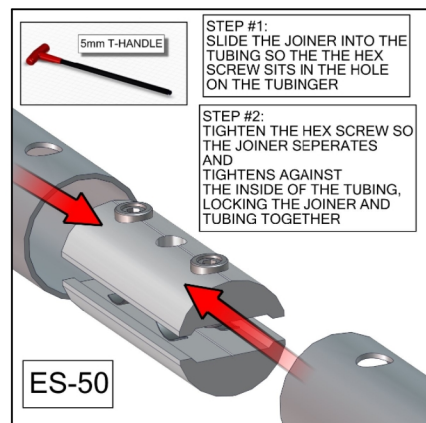
WIRE CABLES



STEP #1: SLIDE THE JOINER INTO THE TUBING SO THE THE HEX SCREW SITS IN THE HOLE ON THE TUBINGER

STEP #2: TIGHTEN THE HEX SCREW SO THE JOINER SEPERATES AND TIGHTENS AGAINST THE INSIDE OF THE TUBING, LOCKING THE JOINER AND TUBING TOGETHER

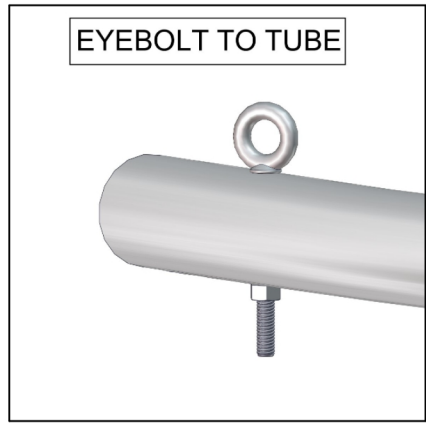
ES-50



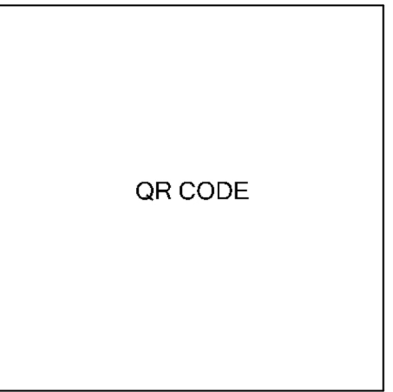
STEP #1: SLIDE THE JOINER INTO THE TUBING SO THE THE HEX SCREW SITS IN THE HOLE ON THE TUBINGER

STEP #2: TIGHTEN THE HEX SCREW SO THE JOINER SEPERATES AND TIGHTENS AGAINST THE INSIDE OF THE TUBING, LOCKING THE JOINER AND TUBING TOGETHER

ES-50



EYEBOLT TO TUBE



QR CODE

Set-up Video