

TSQU-0804-B

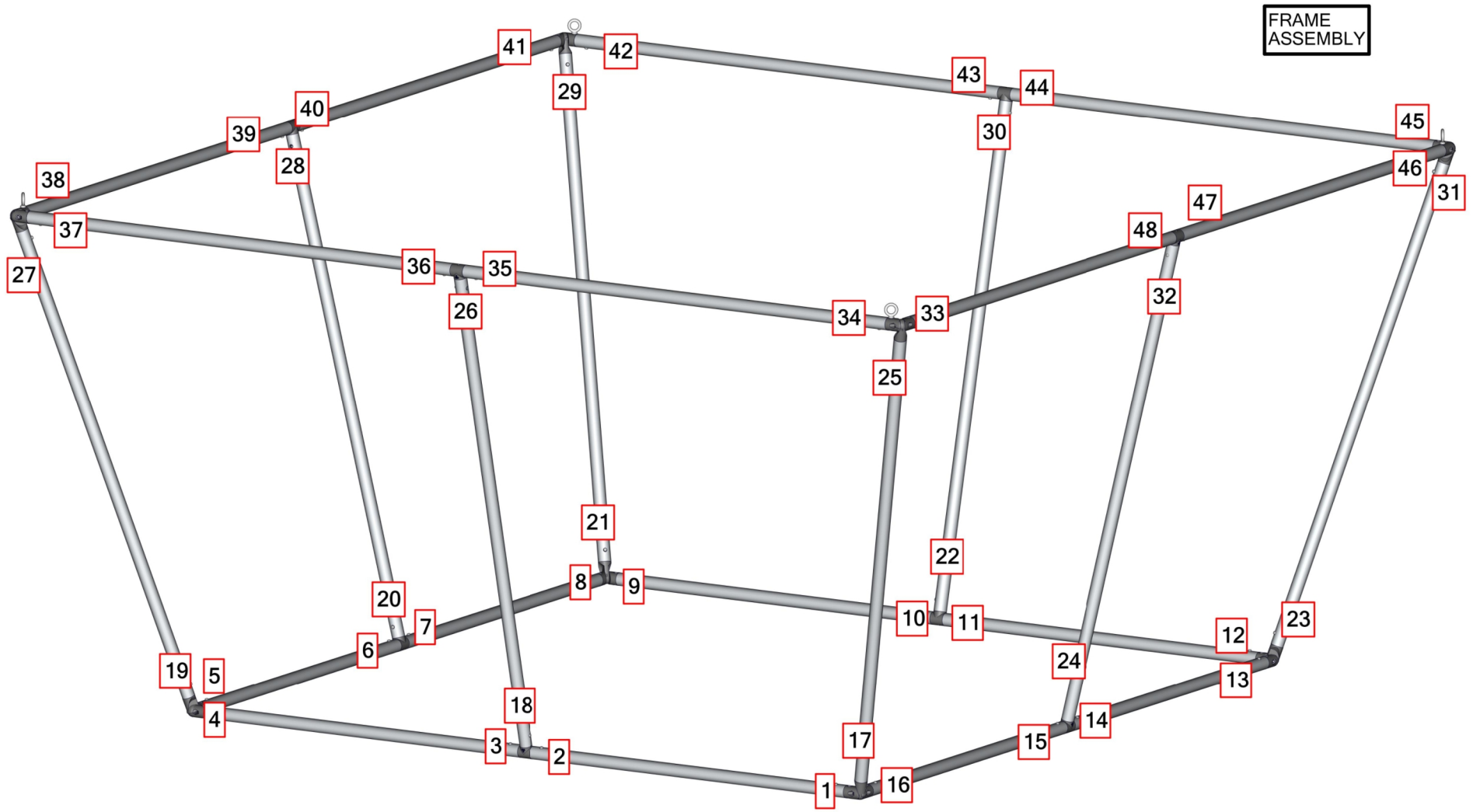
SET UP INSTRUCTIONS:

1. CONNECT BOTTOM AND TOP TUBES FOLLOWING THE LABELS
2. CONNECT SIDE TUBES
3. CLEAN THE FRAME AND PLACE THEM ON CLEAN PLACE
4. CAREFULLY REMOVE FABRIC COVER FROM BAG
5. PLACE COVER AROUND THE BOTTOM OF THE FRAME
6. PULL COVER CAREFULLY UP TO THE TOP
7. CLOSE ALL ZIPPERS
8. ADJUST FABRIC AROUND THE FRAME
9. CONNECT CABLE HARNESS TO THE EYEBOLTS
10. COMPLETELY TIGHTEN THREADED CONNECTORS

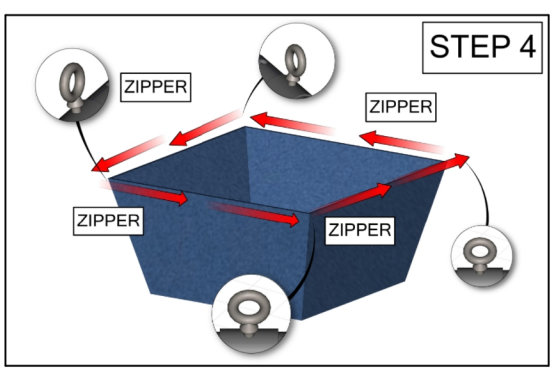
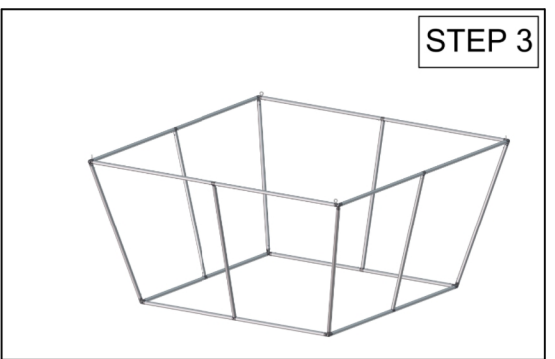
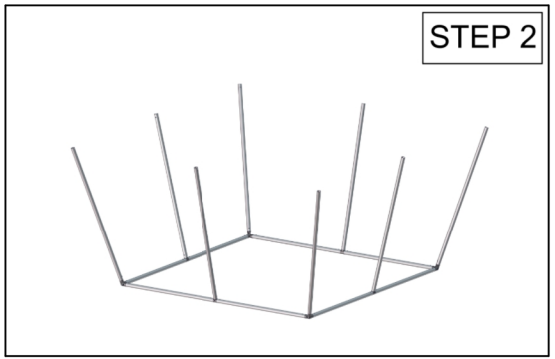
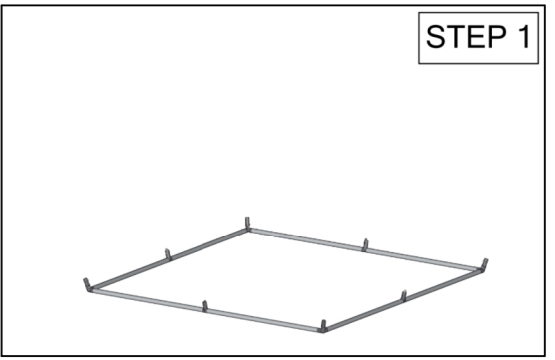
BREAK DOWN INSTRUCTIONS:
REVERSE SET-UP STEPS TO BREAKDOWN FRAME

FABRIC CARE INSTRUCTIONS:

1. UNZIP COVER ZIPPERS
2. CAREFULLY REMOVE FABRIC COVER
3. CLOSE ALL ZIPPERS
4. FOLD OR ROLL NEATLY
5. PLACE FABRIC IN COVER BAG

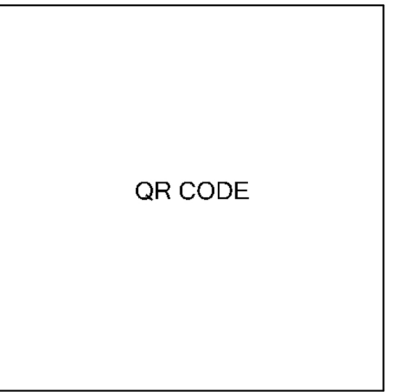
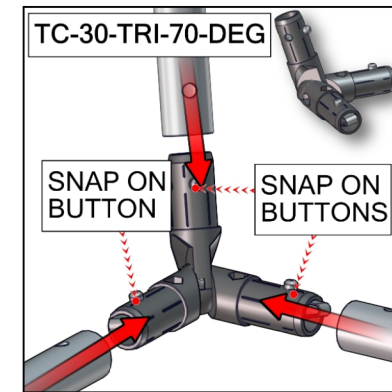
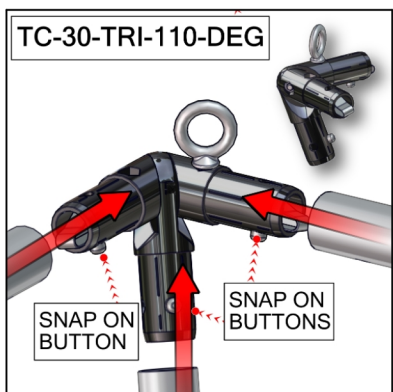
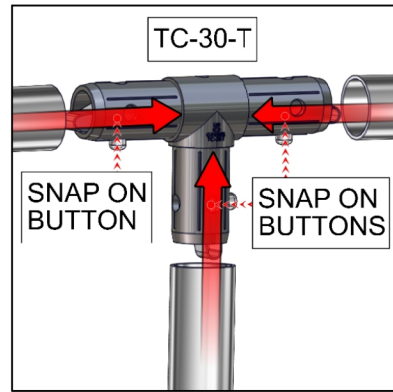


FRAME ASSEMBLY



TOTAL WEIGHT: 44.71 (lbs)
MAX SIZE: 42.1 (in)
HARDWARE: 24.0 (lbs)
GRAPHIC: 18.3 (lbs)

QTY	CODE	DESCRIPTION
1	CH-SP4-LD-08	4-CABLE SINGLE POINT LIGHT DUTY HARNESS WITH 96" LENGTHS 1/16" CABLE
4	SPRD-30-S6-T4-B	LOWER TUBE FOR 4' HIGH TAPERED FOUR SIDED HANGING FABRIC STRUCTURES
4	SPRD-30-S9-4	LOWER TUBE FOR 4' HIGH TAPERED FOUR SIDED HANGING FABRIC STRUCTURES
8	TC-30-T	TC-30-T assembly
4	TC-30-TRI-110-DEG	
4	TC-30-TRI-70-DEG	
8	TSQU-08-T4-B	LOWER TUBE FOR 4' HIGH TAPERED FOUR SIDED HANGING FABRIC STRUCTURES
8	TSQU-08-T1-B	UPPER TUBE FOR 8' WIDE TAPERED FOUR SIDED HANGING FABRIC STRUCTURES



Set-up Video