

Formulate Tower - 03

TOWER-03

When you are looking for a way to draw attention and captivate your audience at a tradeshow, special event, or in a permanent environment, these Formulate® tension fabric architectural structures are designed to impress. Mix and match the Formulate line of towers to add architecture and drama to any event or interior space. Cylinder, Rectangular and Shield-shaped towers come in 12', 10' and 8' heights and 3' square / diameters at the tops and bottoms.



features and benefits:

- Premium aluminum tube frames with spigot and snap button assembly
- Easy to store and ship
- Quick to set up
- Lifetime limited hardware warranty against manufacturer defects
- One zipper pillowcase fabric graphic
- Kit includes two medium monitor mounts and two wheeled molded storage cases

dimensions:

Hardware

Graphic

Assembled unit:
60" w x 120" h x 36.22" d
1524mm(w) x 3048mm(h) x 920mm(d)

Refer to related graphic template for more information.

Approximate weight:
57 lbs / 26 kg

Visit:
www.exhibitors-handbook.com/graphic-templates

Shipping

Packing case(s):
1 OCE-2 Case
1 OCH Case

additional information:

Shipping dimensions:
OCE-2: Expandable case length (l) may vary
40"-66" l x 18" h x 18" d
1016mm-1676mm(l) x 457mm(h) x 457mm(d)

Graphic material:
Dye-sublimation zipper pillowcase fabric

OCH:
50" l x 29" h x 12" d
1270mm(l) x 737mm(h) x 305mm(d)

*Monitors not included

Approximate total shipping weight:
106 lbs / 49 kg

When included in a larger kit, a different packaging solution will be listed to accommodate all contents of the kit. Individual packaging no longer provided.

Monitor mount holds max weight:
80 lbs / 37 kg

Monitor mount holds monitor sizes:
32" - 55"

We are continually improving and modifying our product range and reserve the right to vary the specifications without prior notice. All dimensions and weights quoted are approximate and we accept no responsibility for variance. E&OE. See Graphic Templates for graphic bleed specifications.

Included In Your Kit

Tools, Components,
& Connectors



HEX KEY SET x1

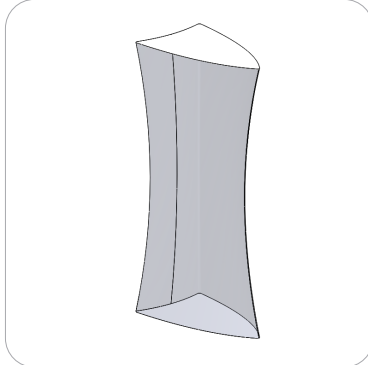


ES30 x40



TUBE-M-MB x2

Graphics



TOWER-03-G x1

Included In Your Kit



TOWER-02-T1 x2



TOWER-02-T2 x2



TOWER-02-T3 x2



TOWER-02-T4 x2



TOWER-02-T5 x2

Tubes



TOWER-02-T6 x4



TOWER-02-T7 x2



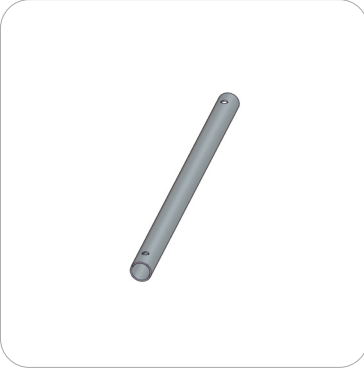
TOWER-02-T8 x2



TOWER-02-T9 x1



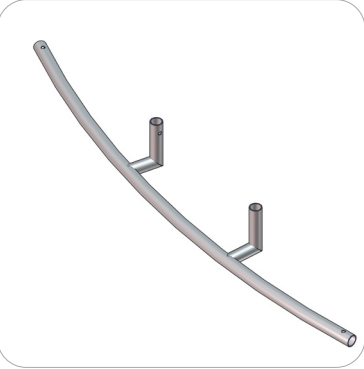
TOWER-02-T10 x2



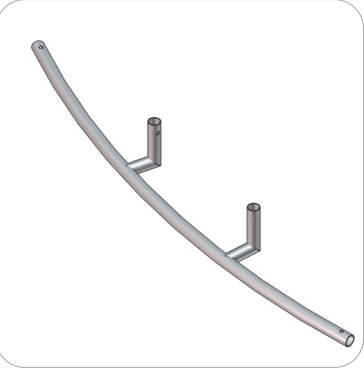
TOWER-02-T11 x1



TOWER-02-T14 x4



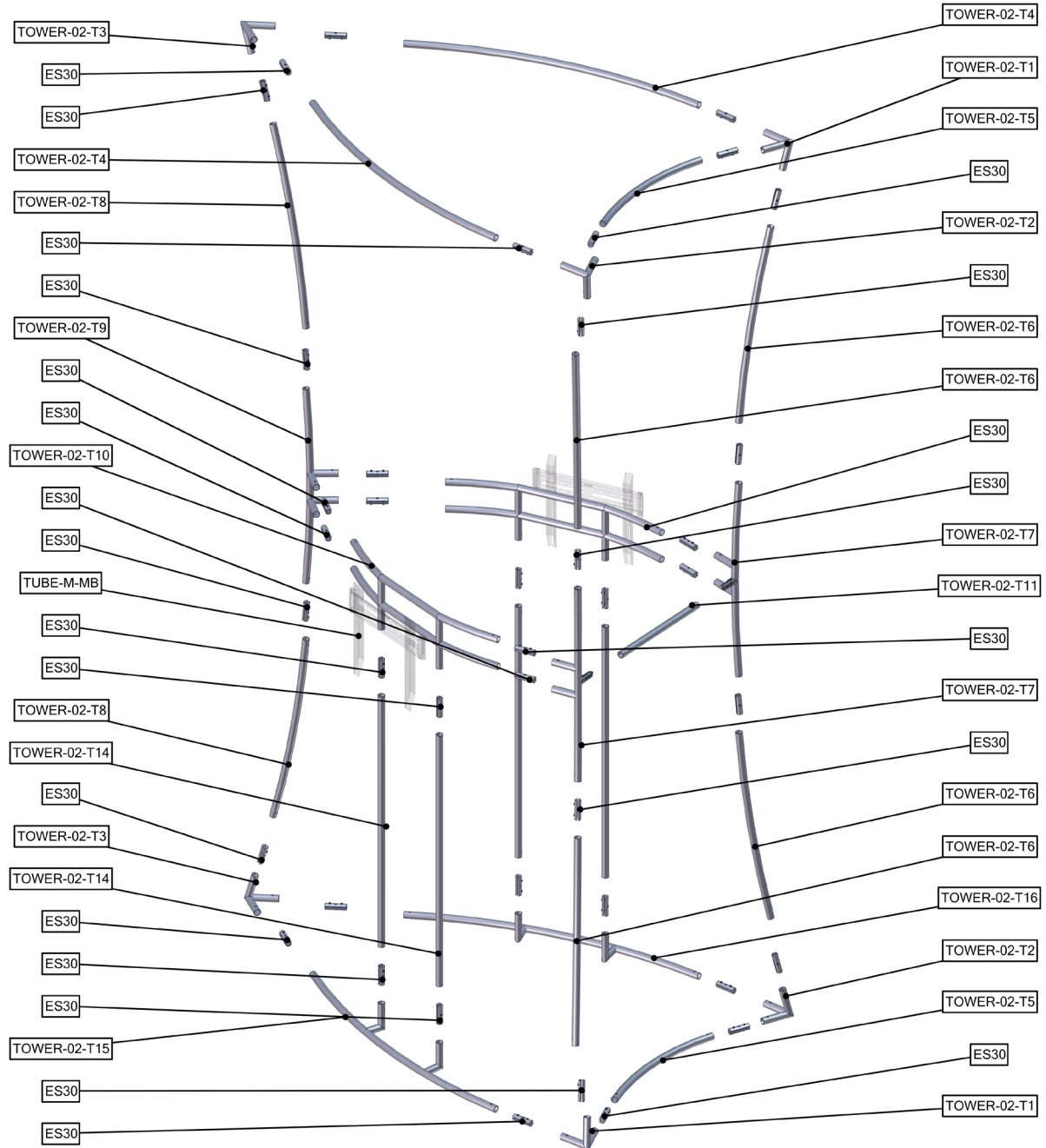
TOWER-02-T15 x1



TOWER-02-T16 x1

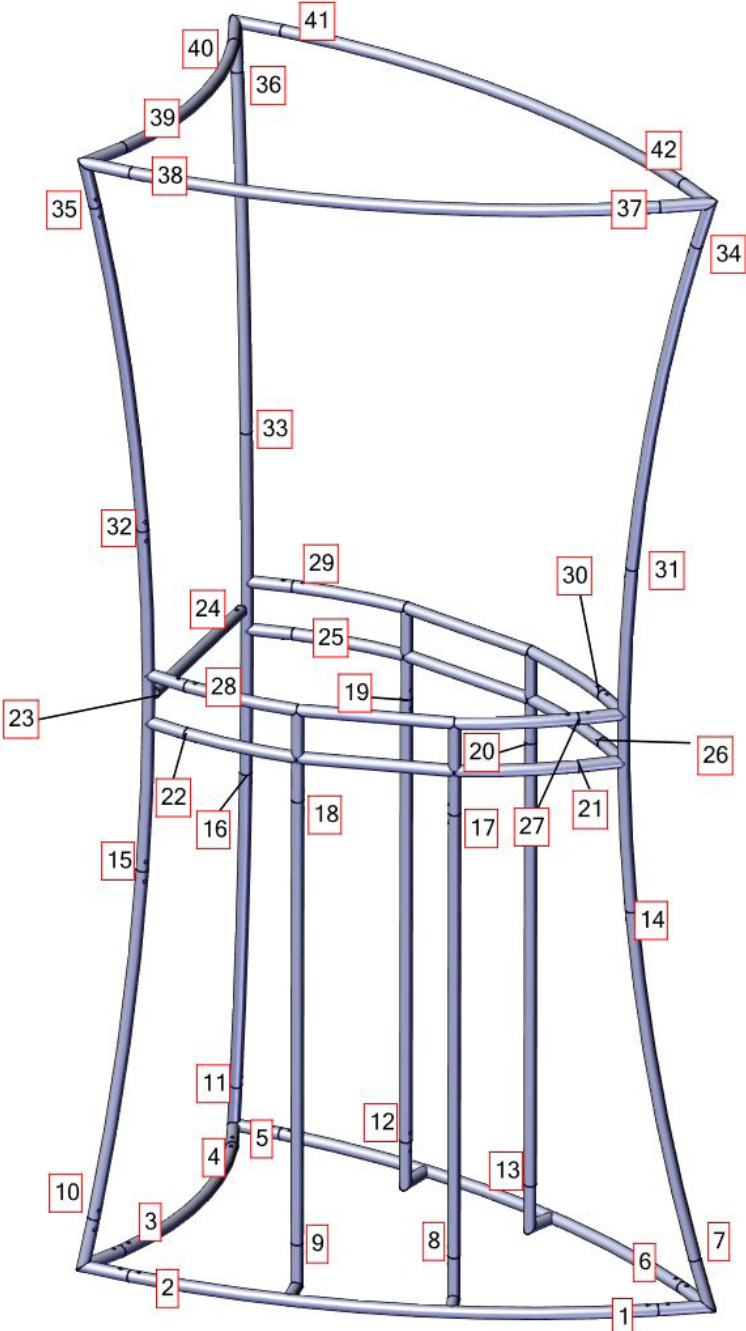
Exploded View

TOWER-03



Labeling Diagram

TOWER-03



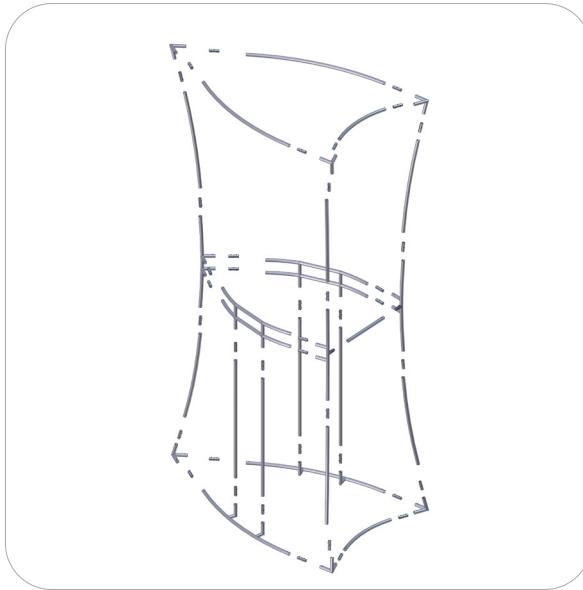
Kit Assembly

Step by Step

Step 1.

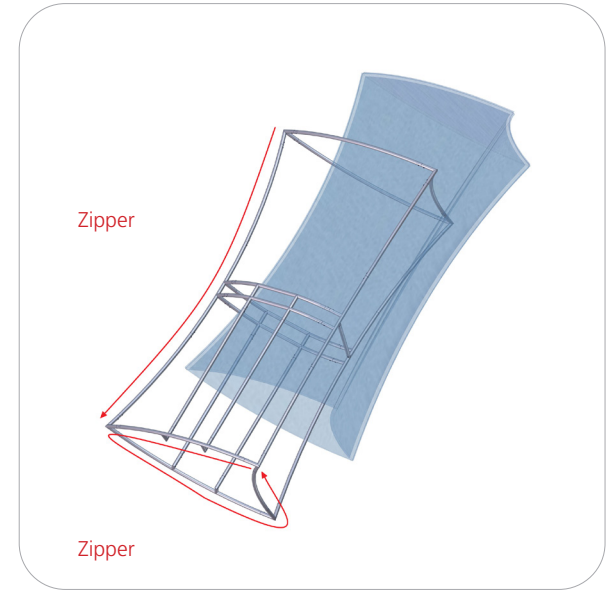
Gather the components necessary for assembling the frame. Assemble in the order the Labeling Diagram instructs.

Reference Connection Method 1 for more details.



Step 2.

With the frame laying flat on the floor, locate your pillowcase graphic. With the pillowcase unzipped, encase the frames and zip along the side and bottom.

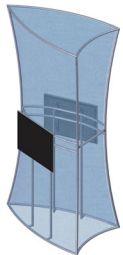


Step 3.

Attach your monitor mounts through the graphic to the top center tubes of both sides of the frame.

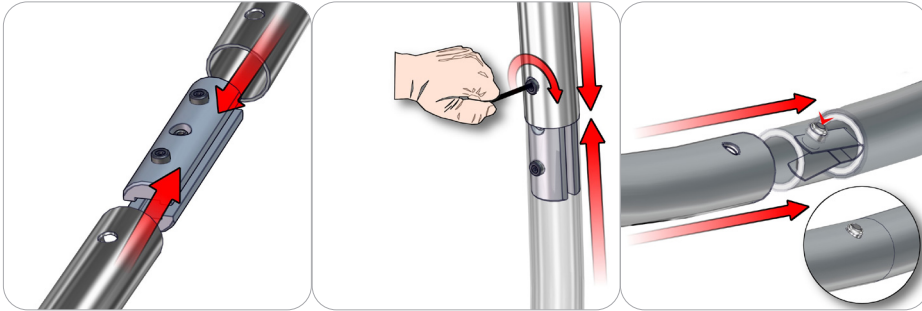
Refer to the Monitor Bracket Instruction pages for more details.

Setup is complete



Connection Methods

Connection Method 1: ES30 / SNAP BUTTONS



For spigot connections, compress the unlocked connector and slide into the tube lock access hole. Lock both screws carefully using your allen key tool. Be sure to lock securely, but do not over tighten. For snap button connections, locate the snap button on the connector or swage tube. Locate the hole on the corresponding tube. Press the snap button with your thumb and slide the tube and connector together so that the snap button snaps fully into the lock hole. To disassemble, press the snap button and pull apart.
