

# Quickstand

Silver: QWK-STND-S

Black: QWK-STND-B

The Quickstand kit includes 1 Mosquito 800 banner stand, 1 OCB banner stand case and 1 Lumina 5 banner stand light. Choose from anodized silver or black base options.



Black base also available

## features and benefits:

- Kit includes: 1 Mosquito 800 banner stand, 1 OCB banner stand case and 1 Lumina 5 banner stand light
- Standard graphic height = 78.5"
- Lightweight construction
- 3-piece bungee pole
- Anodized silver or black base option
- Twin swivel feet for excellent balance and stability
- Snap top graphic rail
- 90 day limited hardware warranty against manufacturer defects

## dimensions:

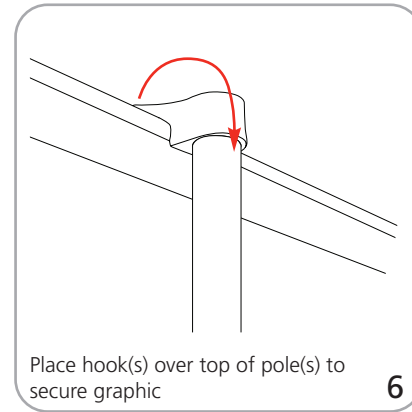
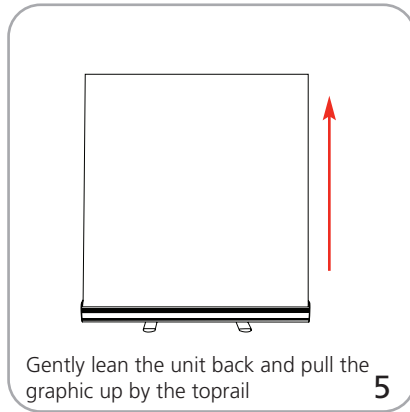
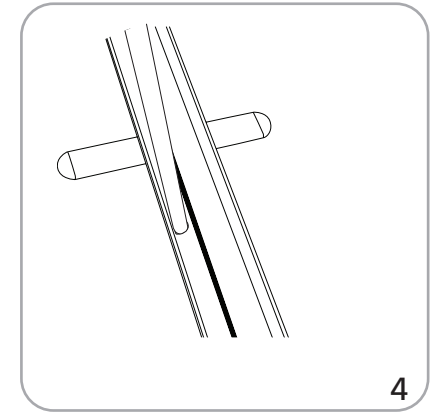
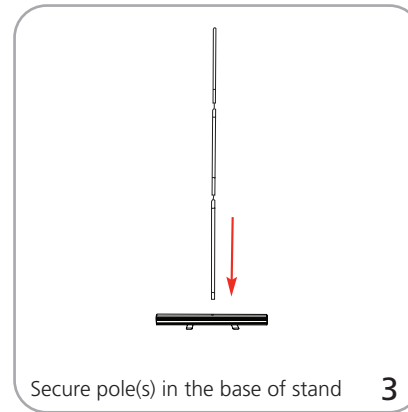
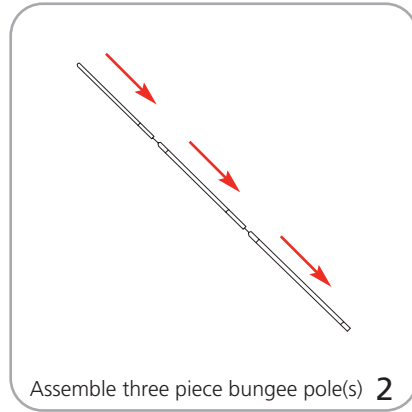
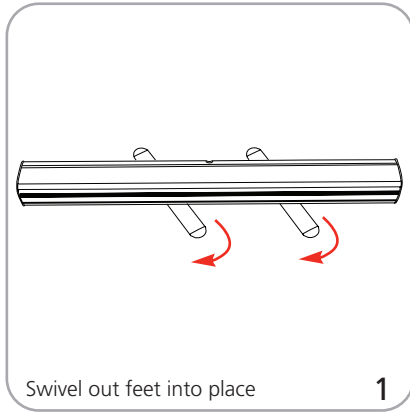
Hardware	Graphic
<p><b>Assembled unit:</b> 32" w x 11.2" d x 82.87" h 812.8mm(w) x 285mm(d) x 2105mm(h)</p>	<p><b>Total visual area:</b> 31.5" w x 78.5" h 800mm(w) x 1994mm(h)</p>
<p><b>Shipping</b></p> <p><b>Shipping dimensions:</b> 40" l x 18" h x 7" d 1016mm(l) x 457mm(h) x 178mm(d)</p> <p><b>Approximate shipping weight:</b> 29 lbs / 13.15 kgs</p>	<p>Refer to related graphic template for more information</p> <p>Visit <a href="http://www.exhibitors-handbook.com/graphic-templates">www.exhibitors-handbook.com/graphic-templates</a></p>

## additional information:

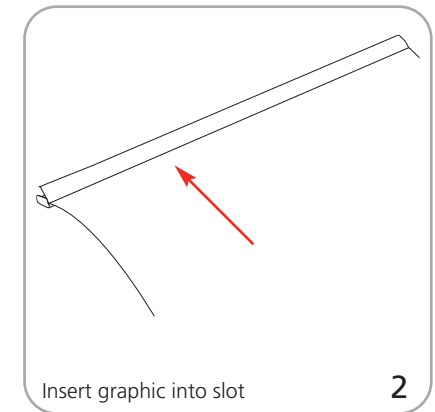
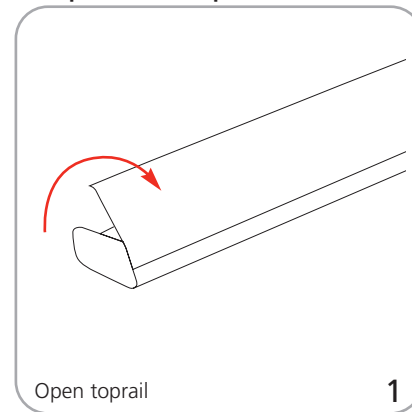
**Graphic materials:**  
13 oz flatmaxx vinyl or premium 100% opaque fabric

We are continually improving and modifying our product range and reserve the right to vary the specifications without prior notice. All dimensions and weights quoted are approximate and we accept no responsibility for variance. E&OE. See Graphic Templates for graphic bleed specifications.

## Mosquito Set-Up



## Graphic to toprail attachment



## Graphic to base attachment

