

Imagine

IMG-800-S
 IMG-850-S

With refined styling and a streamlined profile, the Imagine is packed with new design innovations. This banner stand is our most popular removable cassette roller system and has been specially designed for maximum convenience and ease of use.



intergrated pole storage

Banner Stand Accessories:
 easy connection with
 cam lock and channel



literature pocket
 accessory addition

We are continually improving and modifying our product range and reserve the right to vary the specifications without prior notice. All dimensions and weights quoted are approximate and we accept no responsibility for variance. E&OE. See Graphic Templates for graphic bleed specifications.

features and benefits:

- Variable height = 30.5" through 83.35"
- Telescopic pole with premium grip rail
- Intergrated pole strage for the twist & lock telescoping pole
- Accessory channel featured on top of unit (to add a literature pocket or arm table)
- Add your own branding using the slide in graphic channel along the front of the banner stand base
- Premium form molded EVA bag included
- Graphic tensioner
- Anti-slip strips along base
- Lifetime warranty against manufacturer defects

dimensions:

Hardware

Assembled unit:
800: 34.25" w x 87" h x 8.5" d
 870mm(w) x 2210mm(h) x 216mm(d)
 Approximate weight: 11 lb / 5 kg

850: 36.25" w x 87" h x 8.5" d
 920mm(w) x 2210mm(h) x 216mm(d)
 Approximate weight: 12 lb / 6 kg

Shipping

Ships in one box:
800: 37" l x 12" h x 5" d
 940mm(l) x 305mm(h) x 127mm(d)
 Approximate shipping weight: 17 lb / 8 kg

850: 39" l x 12" h x 5" d
 991mm(l) x 305mm(h) x 127mm(d)
 Approximate shipping weight: 18 lb / 9 kg

Graphic

Refer to related graphic template for more information.

Visit:
www.exhibitors-handbook.com/graphic-templates

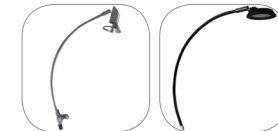
additional information:

Graphic material:
 Anti-curl vinyl, premium opaque fabric, melinex

Graphic tension may be re-applied or added by turning the ratchet tensioner clock-wise.



Lumina 2 banner and LED Spot lighting option available



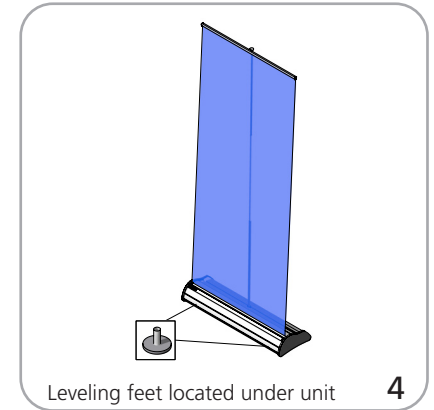
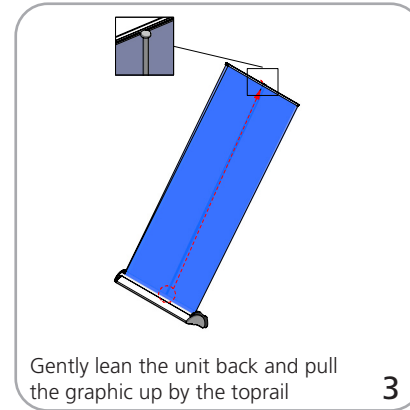
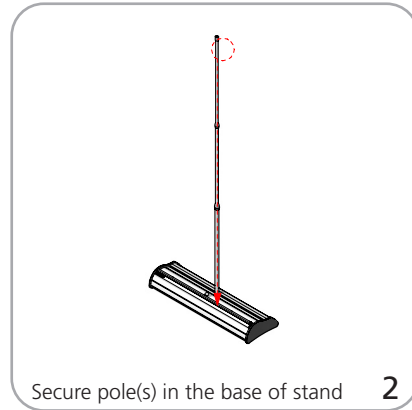
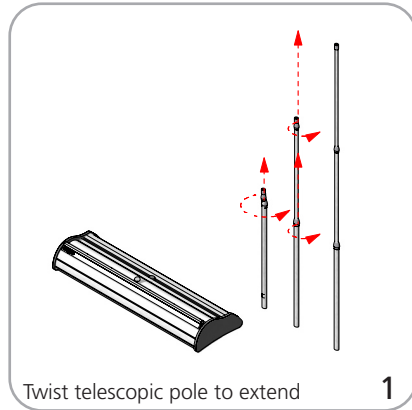
Stand-off literature rack is available (L112-2 only)



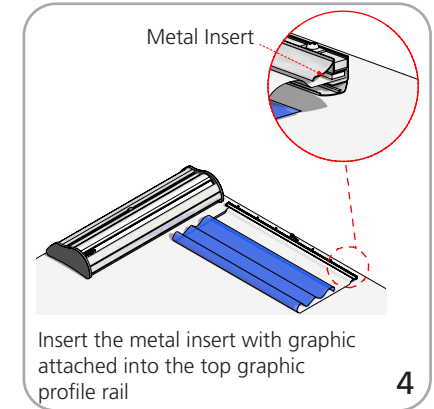
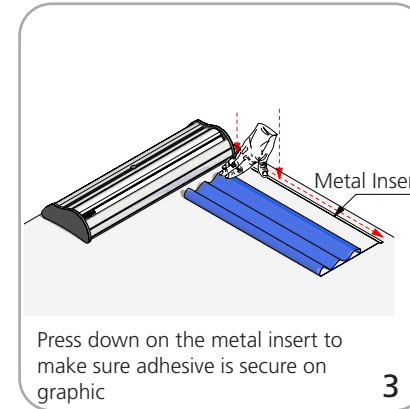
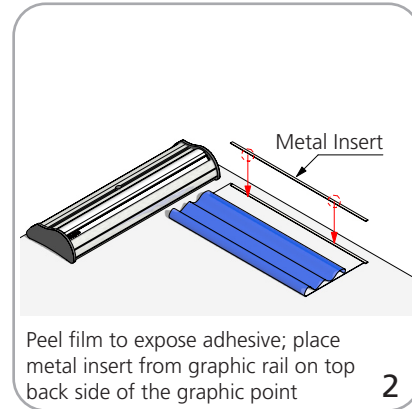
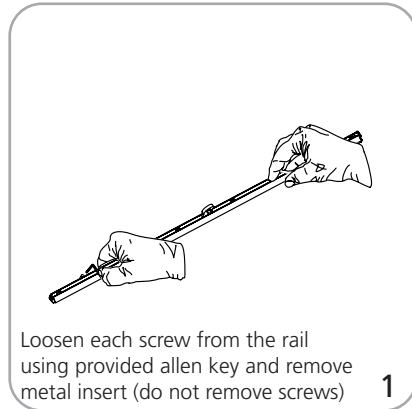
Stand-off rectangular table is available (AKIT-1S in black only)



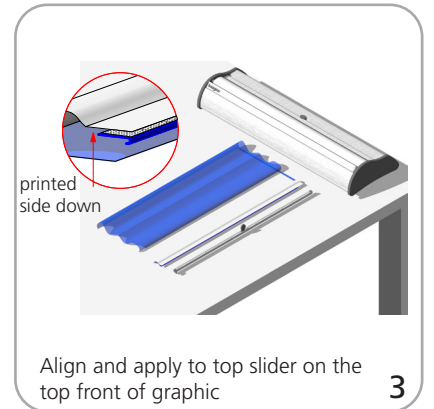
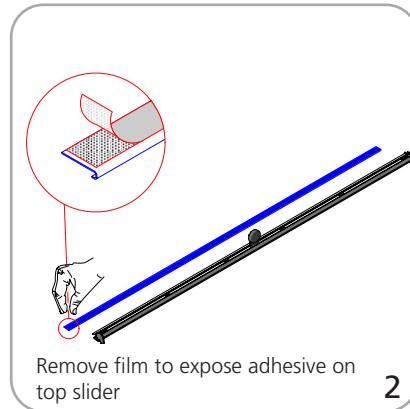
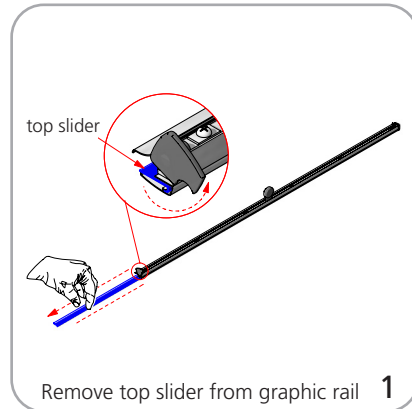
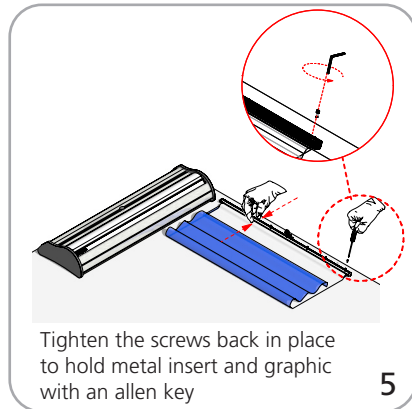
Set-up



Graphic to top rail attachment (metal insert)



Quick slide top rail attachment (plastic insert)



Graphic to base attachment

