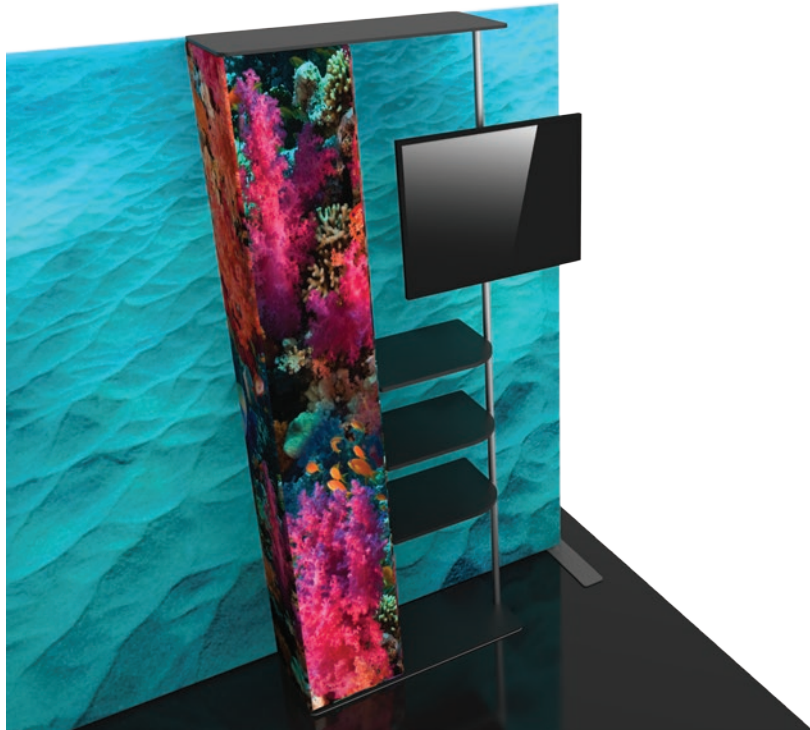


Formulate Accent Ladder 12

FMLT-WL12

Formulate® Master Accents enhance the functionality of many Formulate Master 10' and 20' backwalls and add more real estate for messaging too! With monitor supports, literature pockets, shelves, tables, counters, and more, you are sure to find the accent that best suits your needs. Side tables and graphic headers are also available.



We are continually improving and modifying our product range and reserve the right to vary the specifications without prior notice. All dimensions and weights quoted are approximate and we accept no responsibility for variance. E&OE. See Graphic Templates for graphic bleed specifications.

features and benefits:

- Premium aluminum tube frames with snap button/ spigot assembly
- Easy to store and ship
- Quick to set up
- Rectangular shaped zipper pillowcase fabric graphic
- Kit includes: Three 15" x 18" shelves
- Kit includes: small monitor mount, can hold 17-37" monitor/ max weight 20lbs
- Lifetime limited hardware warranty against manufacturer defects

dimensions:

Hardware

Assembled unit:
35.77"w x 92.39"h x 15"d
909mm(w) x 2347mm(h) x 381mm(d)

Approximate weight with cases:
147 lbs / 66.8 kgs

Shipping

Packing case(s):
2 OCH Cases

Shipping dimensions:
50"l x 29"w x 12"h
1270mm(l) x 737mm(w) x 305mm(h)

Approximate total shipping weight
(includes cases & graphics):
167 lbs / 76 kgs

Graphic

Refer to related graphic template for more information.

Visit:
www.exhibitors-handbook.com/graphic-templates

additional information:

Graphic material:
dye-sublimation zipper pillowcase fabric

Tabletop Colors



Included In Your Kit

Tools, Components, & Connectors



ALLEN KEY SET x1



ES50 x1



ES30 x7



LN114-SCRW x10



CT-FMLT-WL12-1 x1



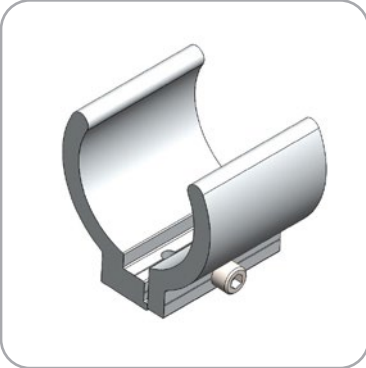
BASE-FMLT-WL12-1 x1



SHLF-FMLT-WL12-1 x3

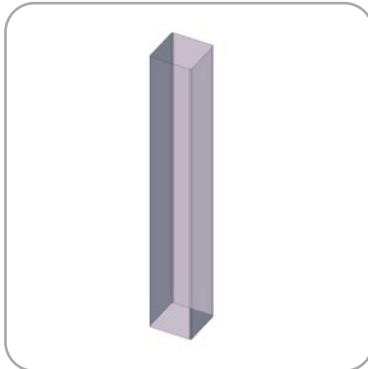


MM-SM x1



TC-50 x2

Graphics



FMLT-WL12-G x1

Included In Your Kit



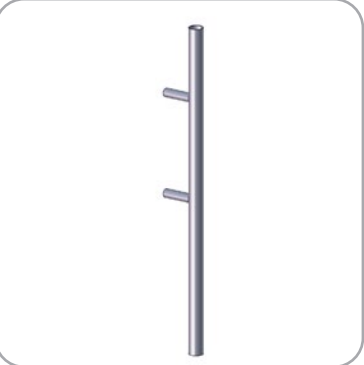
FMLS-WL12-T1 x1



FMLS-WL12-T2 x1



FMLS-WL12-T4 x3



FMLS-WL12-T5 x1



FMLS-WL12-T6 x1



FMLS-WL12-T7 x1



FMLS-WL12-T8 x1



FMLS-WL12-T9 x3



FMLS-WL12-T10 x1



FMLS-WL12-T11 x1



FMLS-WL12-T12 x2



FMLS-WL12-T13 x2

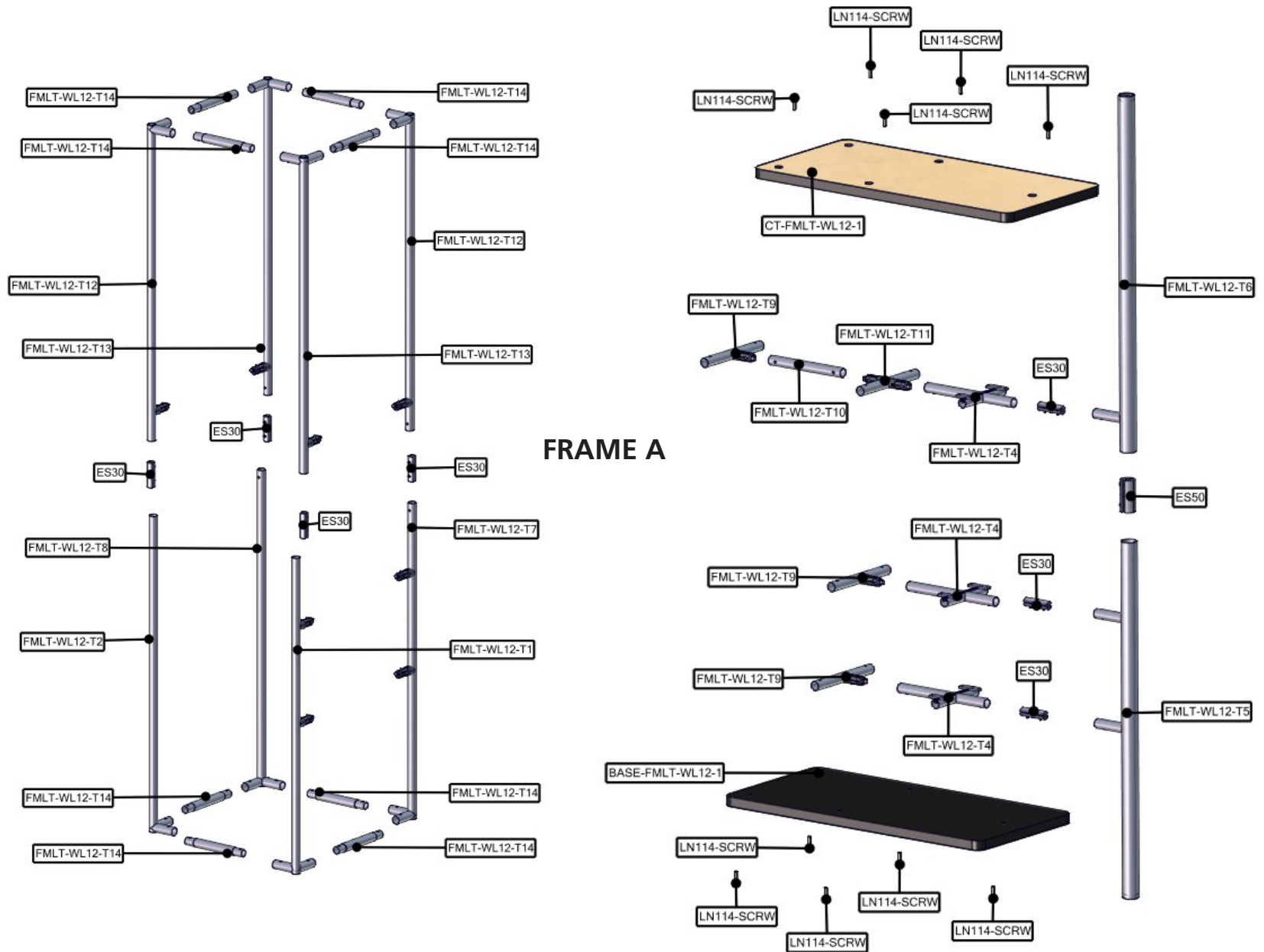


FMLS-WL12-T14 x8

Tubes

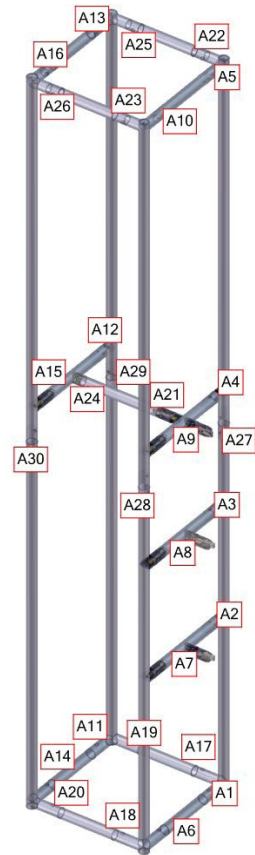
Exploded View

FMLT-WL12

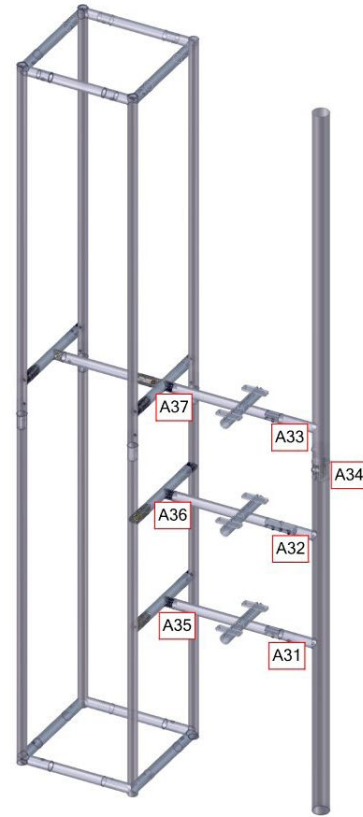


Labeling Diagram

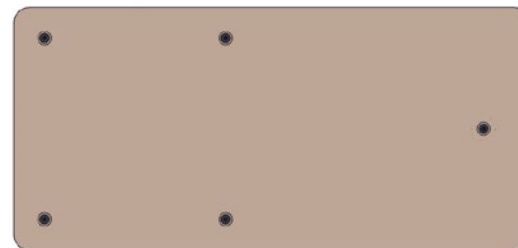
FMLT-WL12



FRAME A



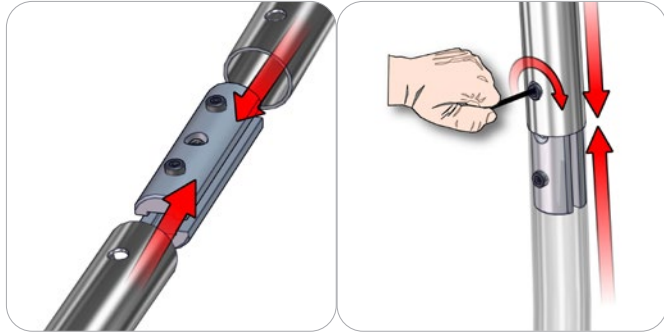
Overhead



Connection Methods

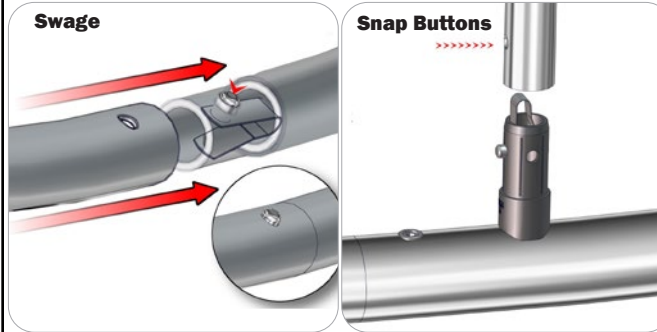
Formulate® structures use a number of different yet simple connection methods. Your kit will include one or more of the connection methods shown below. Steps within the Kit Assembly will reference a specific method for each connection point.

Connection Method 1: ES30 / ES50 / ES75



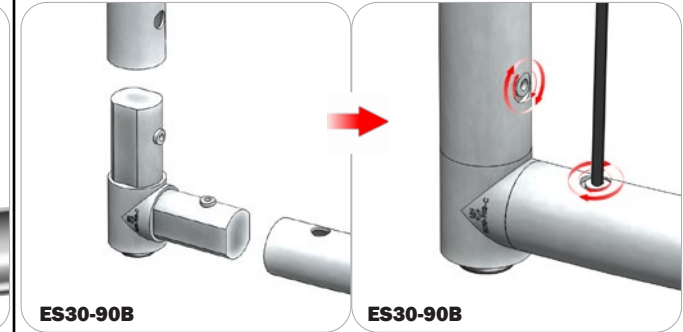
Compress the unlocked connector and slide one tube onto each end. Lock both screws carefully using your allen key tool. Be sure to lock securely, but do not overtighten.

Connection Method 2: Snap Buttons & Swage



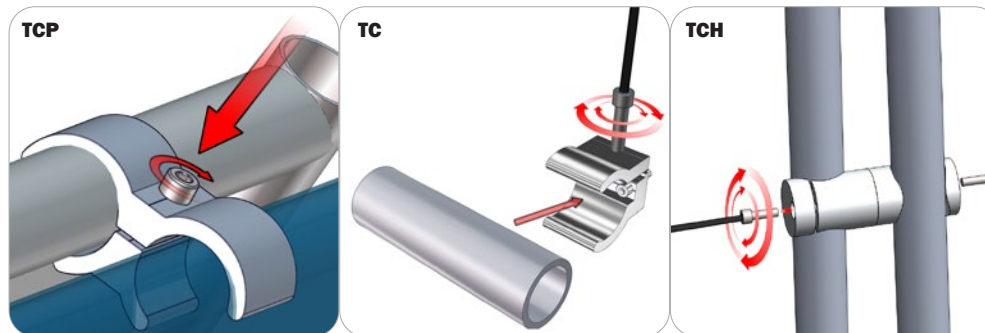
Locate the snap button on the connector or swage tube. Locate the hole on the corresponding tube. Press the snap button with your thumb and slide the tube and connector together so that the snap button snaps fully into the lock hole. To disassemble, press the snap button and pull apart.

Connection Method 3: ES30-90B / ES30-I / ES30-C



Compress one unlocked end of the connector and slide it through one tube end. Compress the other end of the connector and slide the second tube on. Lock both screws carefully using your allen key tool. Be sure to lock securely, but do not overtighten.

Connection Method 4: Tube Clamps



Be sure to fully assemble all frames before using clamps. With the clamp unlocked, place one tube of the first frame into the mouth of the clamp. Place the second tube (if applicable) into the second mouth of the clamp. With both frame's tubes in the clamp, be sure to lock securely, but do not overtighten.

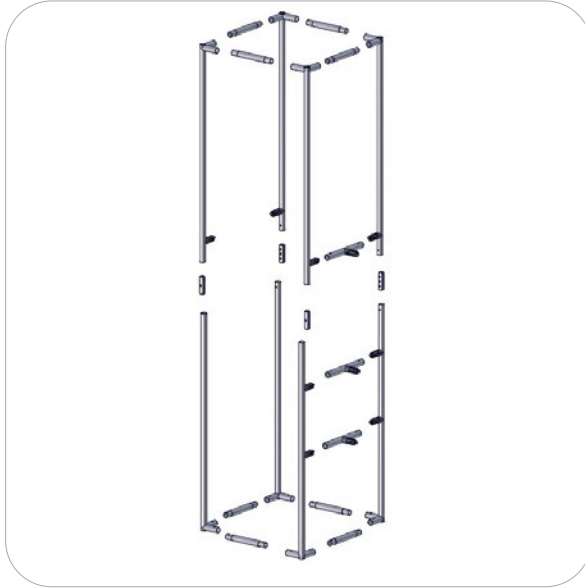
Kit Assembly

Step by Step:

Step 1.

Locate the components necessary for assembling the frame. Assemble Frame A in order according to the Labeling Diagram.

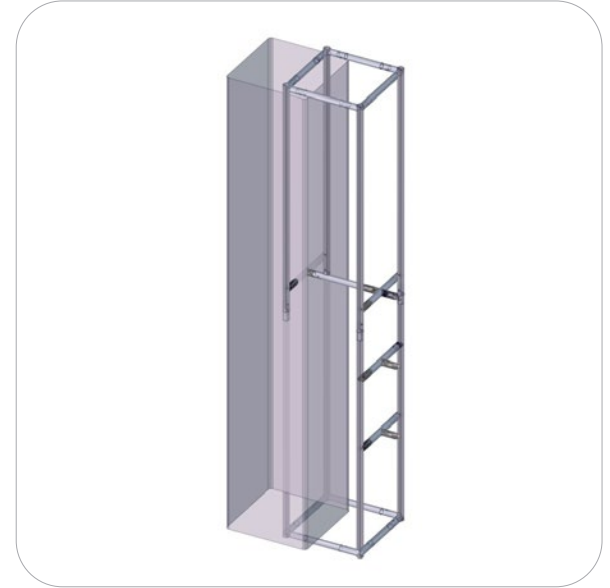
Please reference Connection Methods 1 & 2 for more details.



Step 2.

Apply the graphic pillowcase around Frame A.

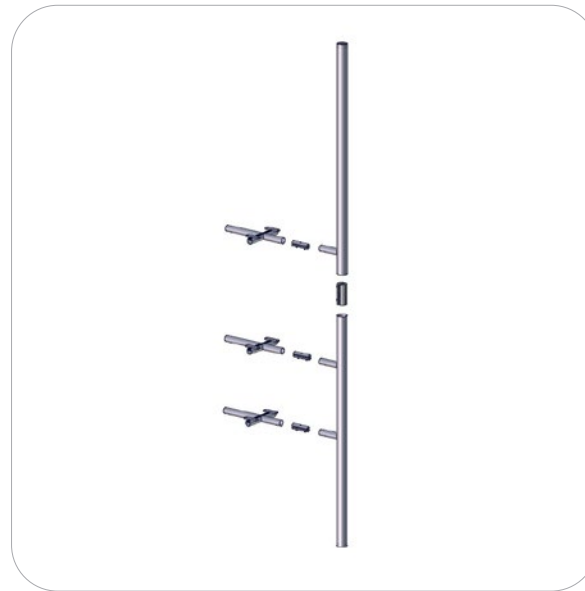
Zippers are on the right vertical corner of the frame.



Step 3.

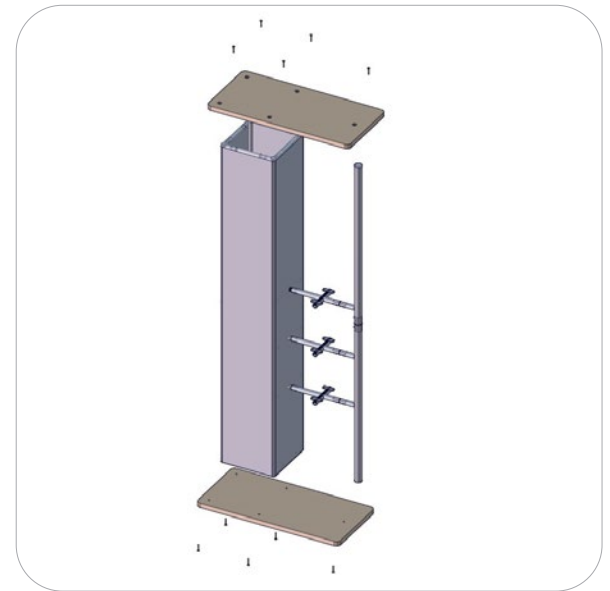
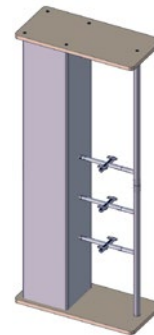
Assemble the remaining components from Frame A to complete assembly.

Please reference Connection Methods 1 & 2 for more information.



Step 4.

Use LN114 screws to fasten your CT-FMLT-WL12-1 to the top of your frame & BASE-FMLT-WL12-1 to the bottom of your frame.

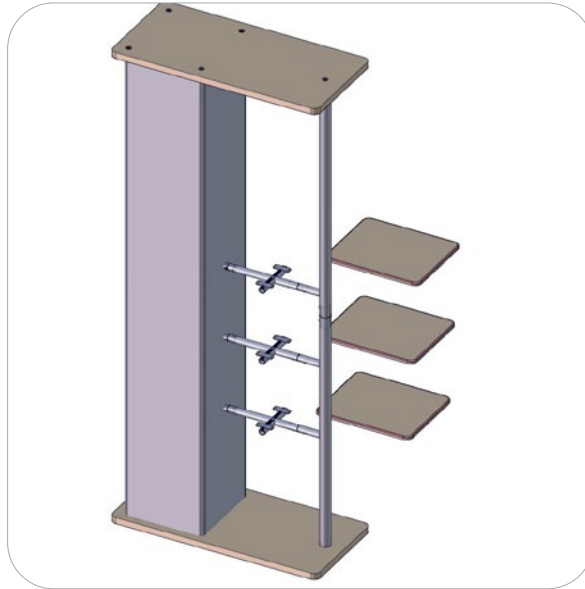
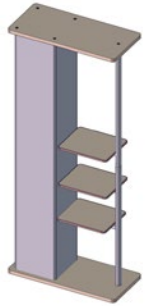


Kit Assembly

Step by Step:

Step 5.

Place your SHLF-FMLT-WL12-1 shelves onto the metal brackets. Lock into place using the provided thumbscrews.



Step 6.

Lock the monitor bracket MM-SM to Frame A utilizing the TC-50 clamps.

Please reference Connection Method 4 for more details.

