

Formulate Designer Series 20' Backwall - Kit 13

FMLT-DS-20-13

Formulate® Designer Series 20ft displays have unique stylistic features and shapes, are portable and easy to assemble. The aluminum tube frame features snap-buttons and/ or spigot connections and zipper pillowcase fabric graphics. All displays come in portable, wheeled transit cases. Simply pull the pillowcase fabric graphic(s) over the frame and zip.



We are continually improving and modifying our product range and reserve the right to vary the specifications without prior notice. All dimensions and weights quoted are approximate and we accept no responsibility for variance. E&OE. See Graphic Templates for graphic bleed specifications.

features and benefits:

- Premium aluminum tube frames with spigot assembly
- Easy to store and ship
- Quick to set up
- Weighted feet for added stability
- Two zipper pillowcase fabric graphics
- Kit includes: monitor kiosk featuring a medium monitor mount, can hold 32-55" monitor / max weight 40lbs
- Lifetime limited hardware warranty against manufacturer defects

dimensions:

Hardware

Assembled unit:
240" w x 96" h x 42.63" d
6101mm(w) x 2438mm(h) x 1083mm(d)

Approximate weight with cases:
187 lbs / 84.8 kgs

Shipping

Packing case(s):
3 OCE-2 Cases

Shipping dimensions:
OCE-2: Expandable case length (l) may vary
40" - 66" l x 18" h x 18" d
1016mm-1677mm(l) x 458mm(h) x 458mm(d)

Approximate total shipping weight
(includes cases & graphics):
217 lbs / 98.4 kgs

Graphic

Refer to related graphic template for more information.

Visit:
www.exhibitors-handbook.com/graphic-templates

additional information:

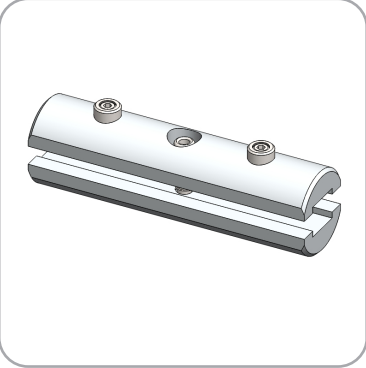
Graphic material:
dye-sublimation zipper pillowcase fabric

Included In Your Kit

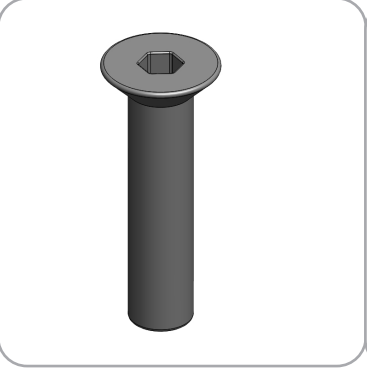
Tools, Components, & Connectors



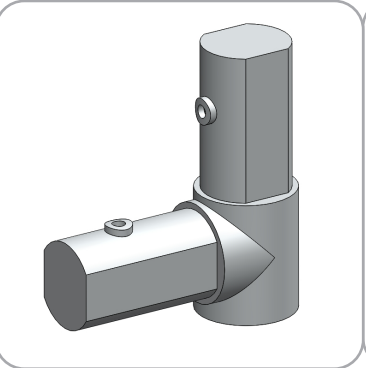
HEX KEY SET x1



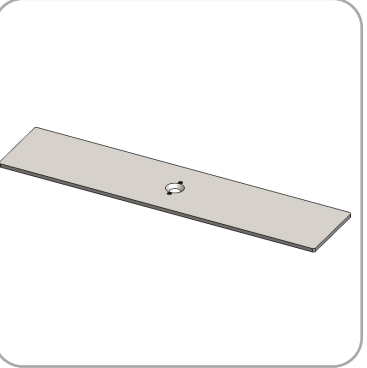
ES30 x19



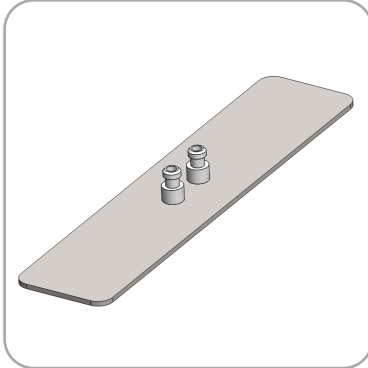
LN114-SCRW x4



ES30-90B x3



PLT-BP-LN114-S2-450 x2



PLT-BP-LN114-S3-450 x1

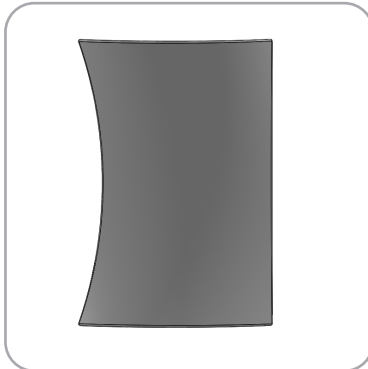


TCP-3030-R x1

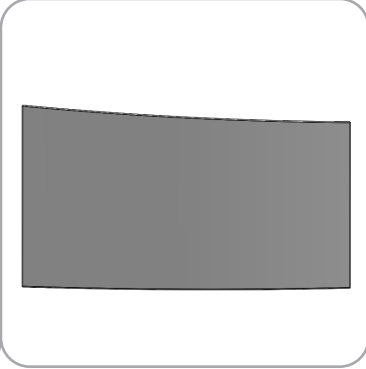


PM4S3-MK-M x1

Graphics



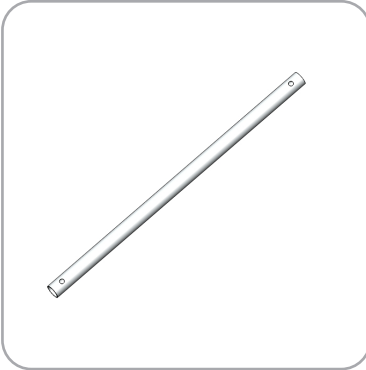
FMLT-DS-20-13-A-G x1



FMLT-DS-20-13-B-G x1

Included In Your Kit

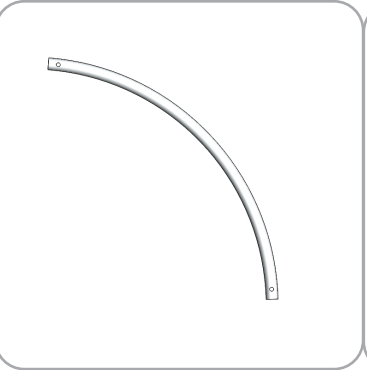
Tubes



DS-20-13-A-T1 x1



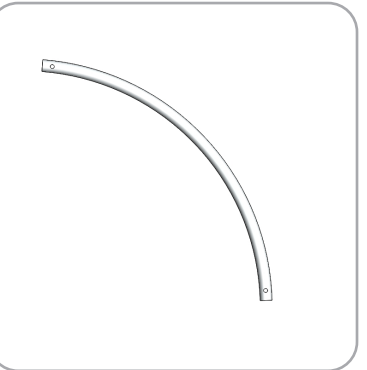
DS-20-13-A-T2 x1



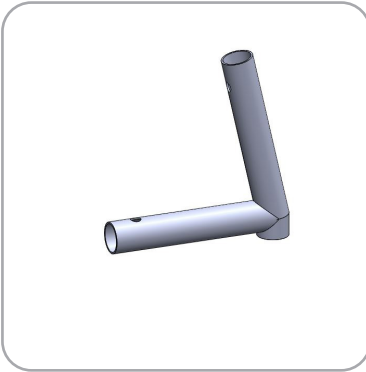
DS-20-13-A-T3 x1



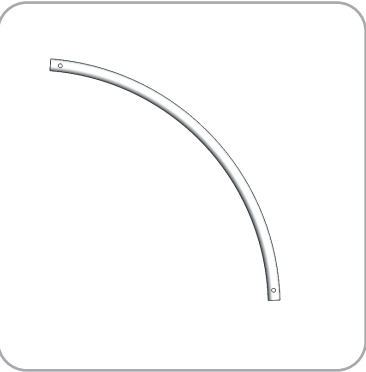
DS-20-13-A-T4 x1



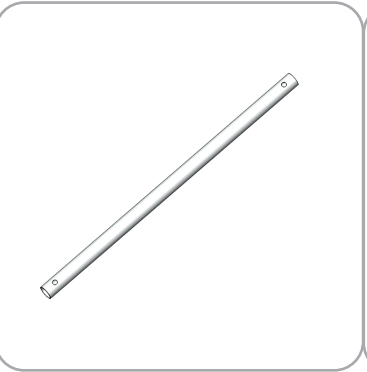
DS-20-13-A-T5 x2



DS-20-13-A-T6 x1



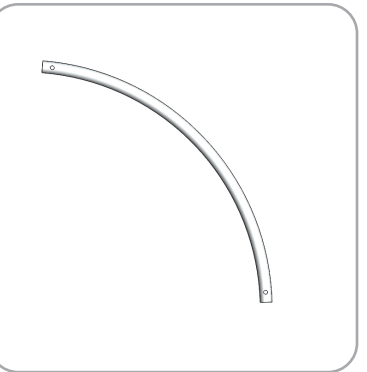
DS-20-13-A-T7 x1



DS-20-13-B-T1 x3



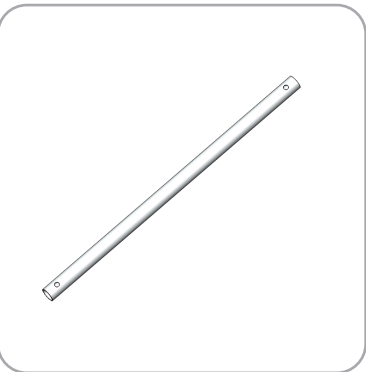
DS-20-13-B-T2 x1



DS-20-13-B-T3 x2



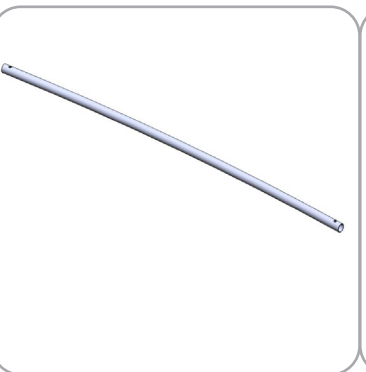
DS-20-13-B-T4 x1



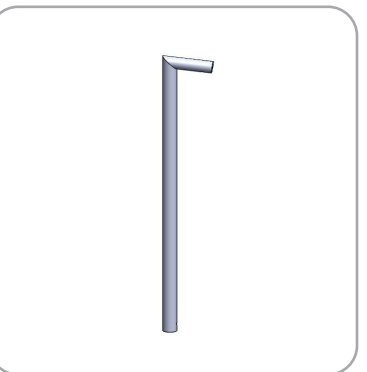
DS-20-13-B-T5 x2



DS-20-13-B-T6 x1



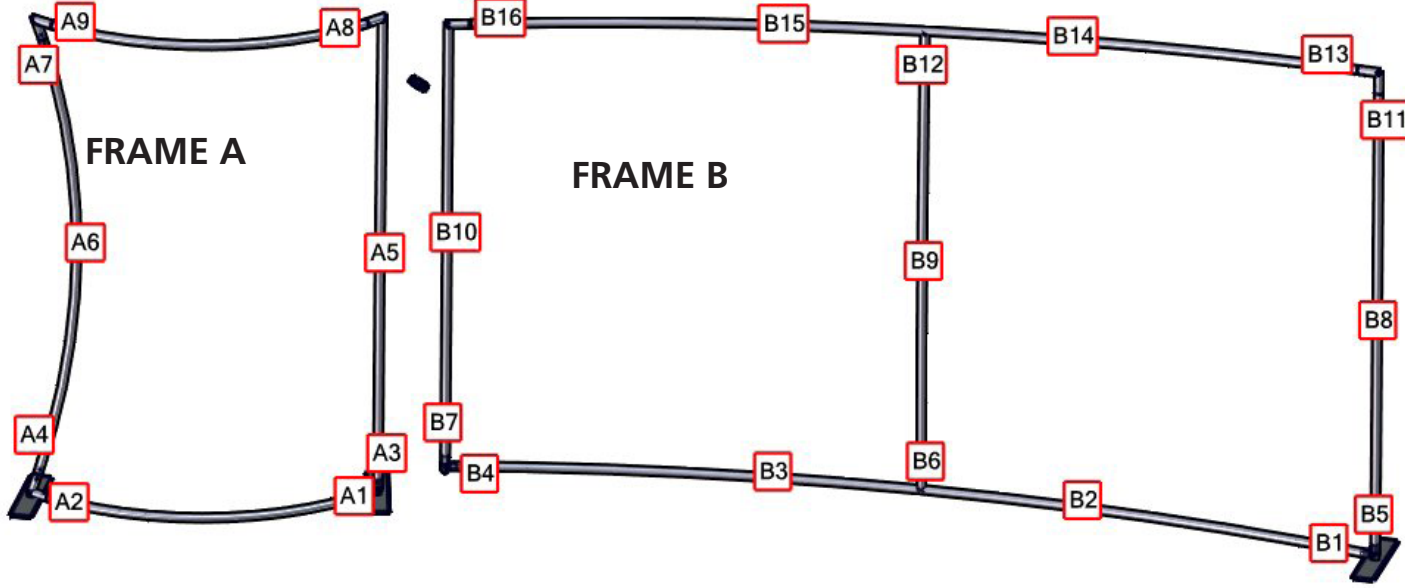
DS-20-13-B-T7 x2



DS-20-13-B-T8 x1

Labeling Diagram

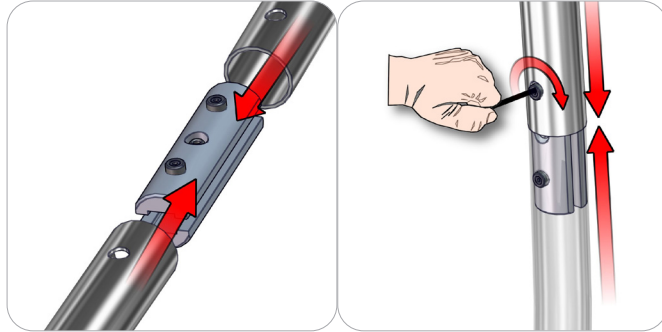
FMLT-DS-20-13



Connection Methods

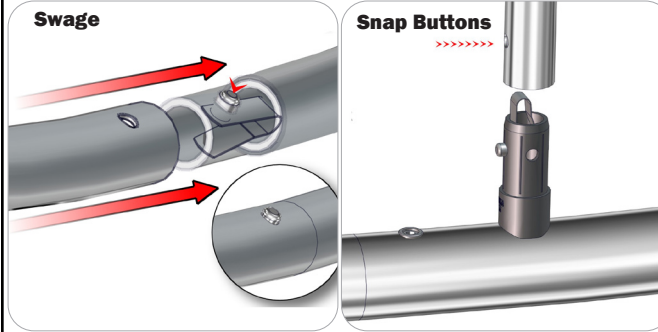
Formulate™ structures use a number of different yet simple connection methods. Your kit will include one or more of the connection methods shown below. Steps within the Kit Assembly will reference a specific method for each connection point.

Connection Method 1: ES30 / ES50 / ES75



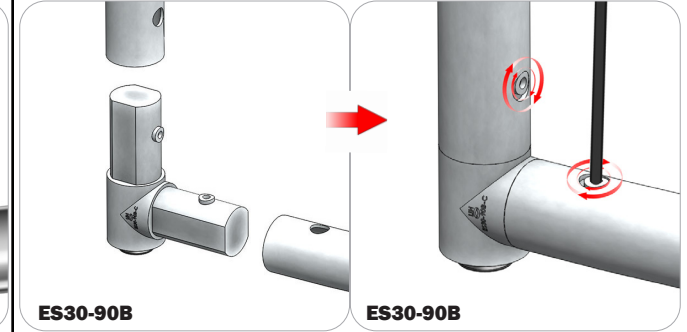
Compress the unlocked connector and slide one tube onto each end. Lock both screws carefully using your hex key tool. Be sure to lock securely, but do not overtighten.

Connection Method 2: Snap Buttons & Swage



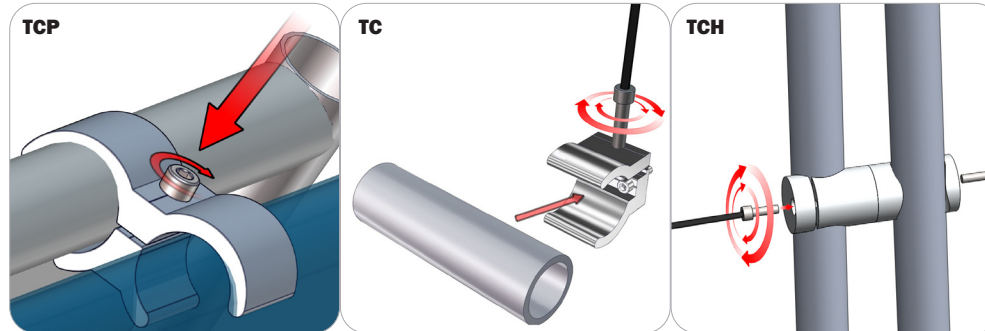
Locate the snap button on the connector or swage tube. Locate the hole on the corresponding tube. Press the snap button with your thumb and slide the tube and connector together so that the snap button snaps fully into the lock hole. To disassemble, press the snap button and pull apart.

Connection Method 3: ES30-90B / ES30-I / ES30-C



Compress one unlocked end of the connector and slide it through one tube end. Compress the other end of the connector and slide the second tube on. Lock both screws carefully using your hex key tool. Be sure to lock securely, but do not overtighten.

Connection Method 4: Tube Clamps



Be sure to fully assemble all frames before using clamps. With the clamp unlocked, place one tube of the first frame into the mouth of the clamp. Place the second tube (if applicable) into the second mouth of the clamp. With both frame's tubes in the clamp, be sure to lock securely, but do not overtighten.

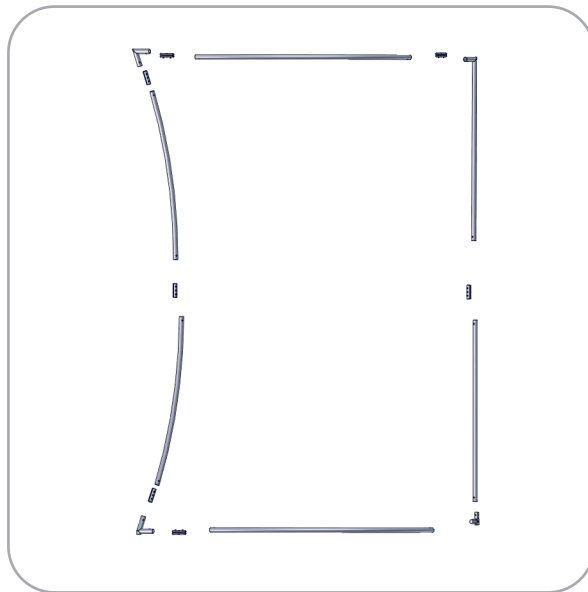
Kit Assembly

Step by Step

Step 1.

Gather the components necessary for assembling frame A and lay them flat on the floor. Assemble in the order the Labeling Diagram instructs.

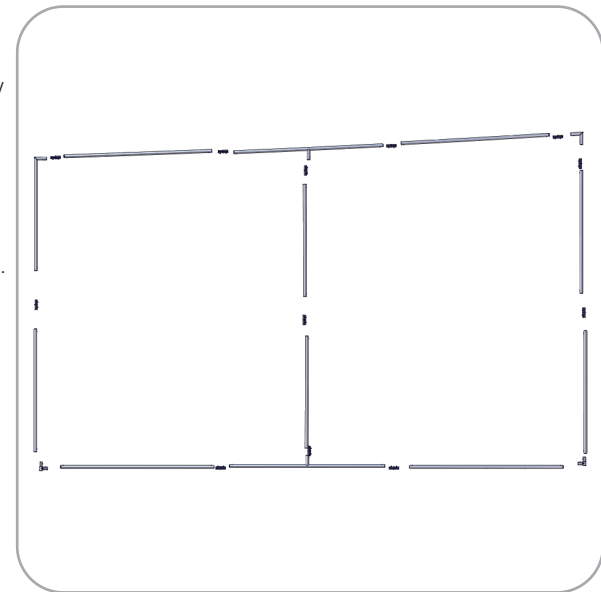
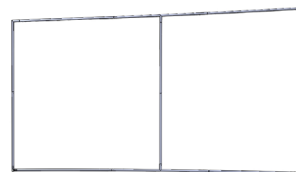
Please reference Connection Methods 1 and 3 for more details.



Step 2.

Gather the components necessary for assembling Frame B and lay them flat on the floor. Assemble in the order the Labeling Diagram instructs.

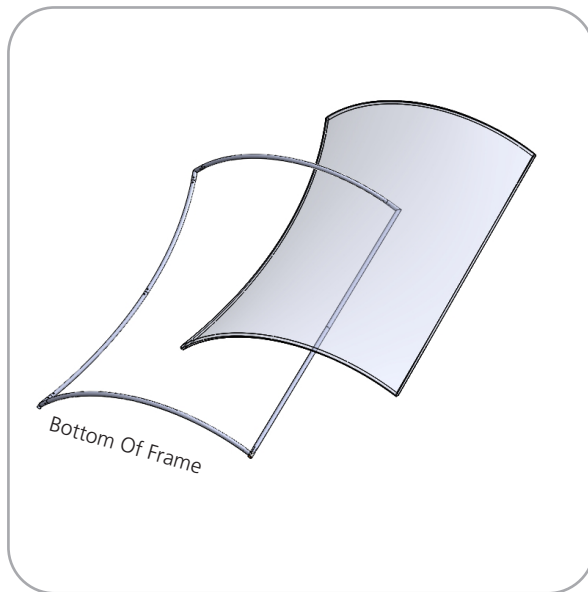
Please reference Connection Methods 1 and 3 for more details.



Step 3.

With Frame A laying flat on the floor, locate your pillowcase A graphic. With the pillowcase unzipped, encase Frame A by covering the frame from top right to bottom left.

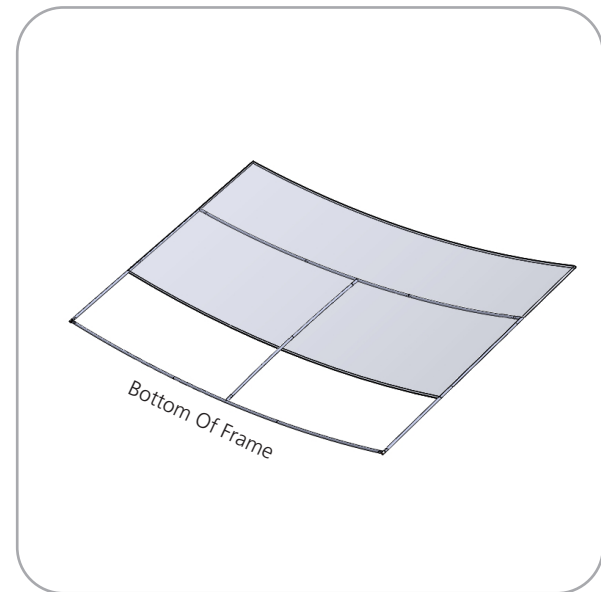
Zipper located to the right side and bottom of Graphic A



Step 4.

With frame B laying flat on the floor, locate your pillowcase B graphic. With the pillowcase unzipped, encase Frame B by covering the frame from top to bottom.

Zipper located to the bottom of Graphic B

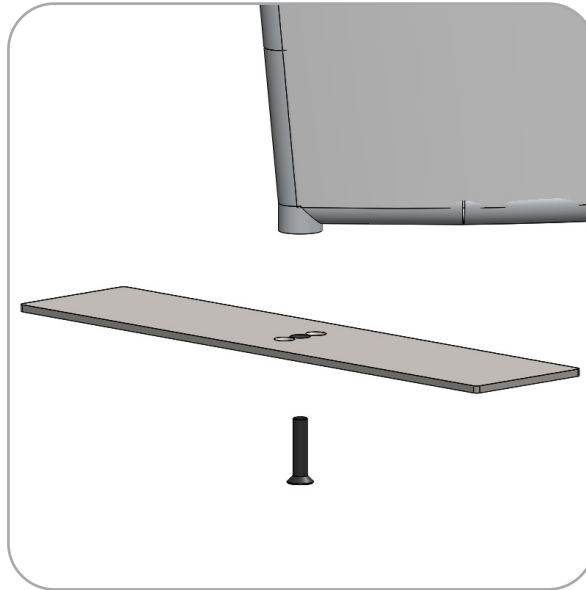
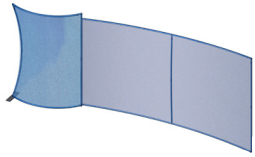


Kit Assembly

Step by Step

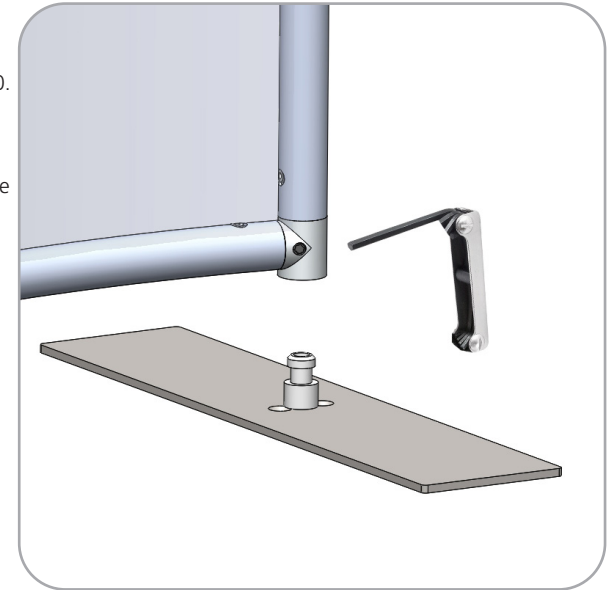
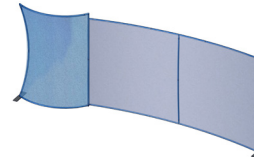
Step 5.

Gather the PLT-BP-LN114-S2-450 assembly, and one LN114 screw. Attach the foot to the curved side of Frame A, in order as seen in the image to the right.



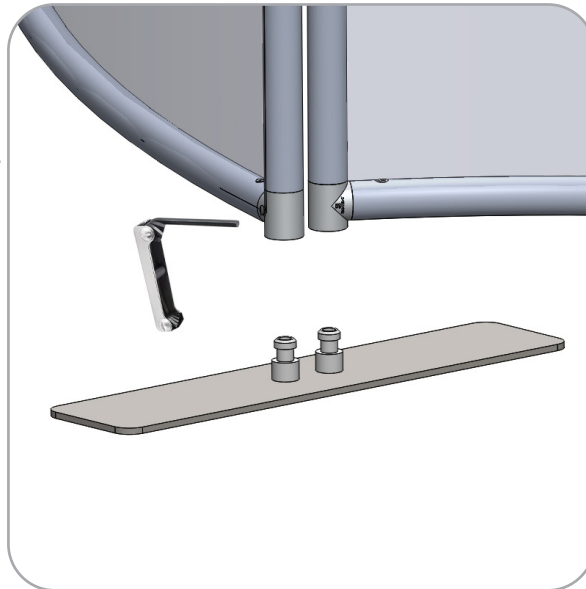
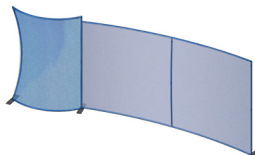
Step 6.

Locate both PLT-BP-LN114-S3-450. Attach the foot to the bottom of the ES30-90B on the left side of Frame A and the right side of Frame B. Tighten the screw on the side of the ES30-90B to lock it in place.



Step 7.

Locate the PLT-BP-LN114-S2-450. Attach the foot to the bottom of the ES30-90B on the right side of Frame A and the left side of Frame B. Tighten the screw on the sides of the ES30-90Bs to lock them in place.



Step 8.

Locate the TCP-3030-R. Use the screws on the top of the TCP-3030-R to tie the tubes of frames A and B together at the center of the kit.

Please reference Connection Method 4 for more details.

