

## Formulate:

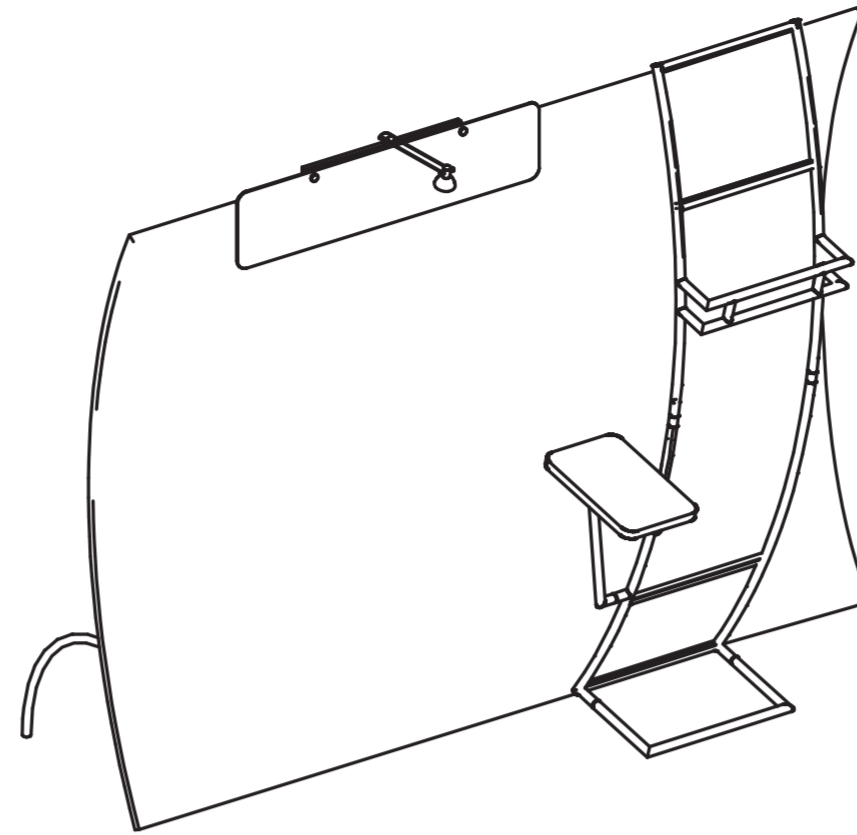
### Accent 03

---

Total Graphic Area: 22" w X 18.5" h

Total Finished Area: 21" w X 17.5" h

Total Visual Area: 21" w X 17" h



Use separate template for formulate backwall graphic. This template only represents the accent graphics.

Please be sure to include the 1/2" bleed around the perimeter.

### General Art Guidelines:

---

- CMYK Color Mode
- All Solid Coated Pantone colors should be called out in the art as spot colors
- Embed all images and support files
- Resolution must be 100-120 ppi
- All fonts must be created to outlines
- Do not scale artboard
- Background color/images must bleed to the edge of artboard
- Do not use spot colors from template in your artwork as they will not print

TOP



The diagram illustrates the bottom portion of a page layout. It features a central white area surrounded by a gray border. The border is composed of two parallel lines: an inner dashed line and an outer solid line. The word "BOTTOM" is printed in large, bold, gray capital letters in the lower right quadrant of the white area. Below the word, there is a legend with two entries: "bleed area" next to a solid gray line segment, and "trim line" next to a dashed gray line segment.

# BOTTOM

bleed area

trim line