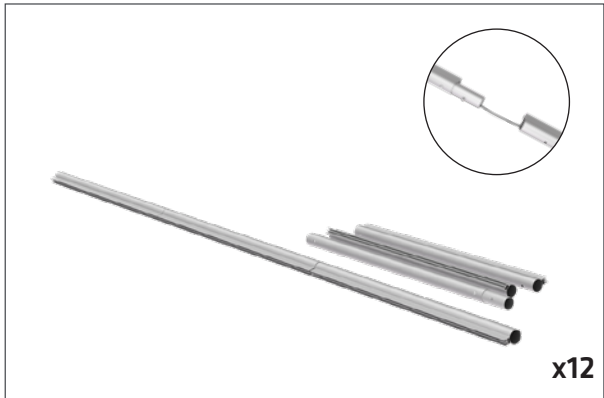


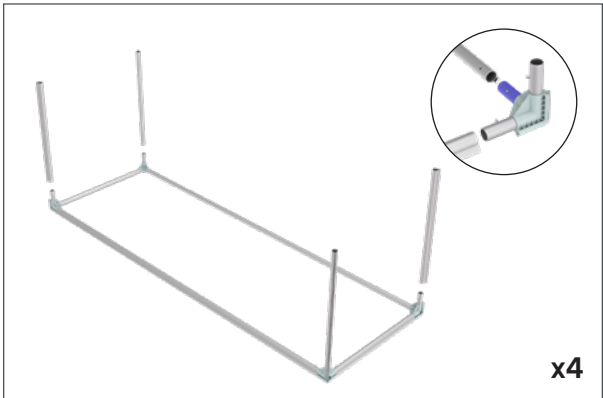
Set Up Instructions

CSNRT-100M

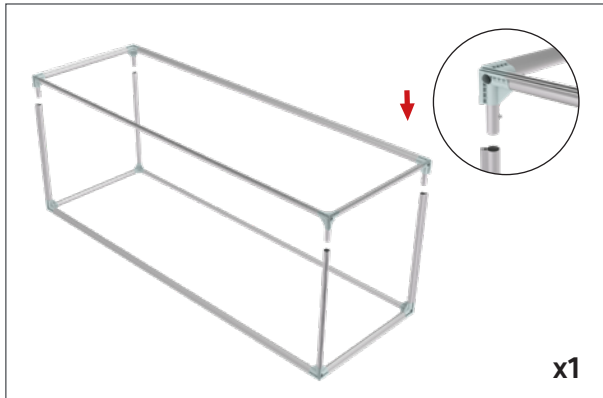
Step 1: Assemble all straight pipes with bungee cords by pushing and pulling together.



Step 2: Build first side with connecting pipes.
Connect all corner sections to straight sections of the frame. Blue pipes represent the vertical pole position and should face top and bottom.



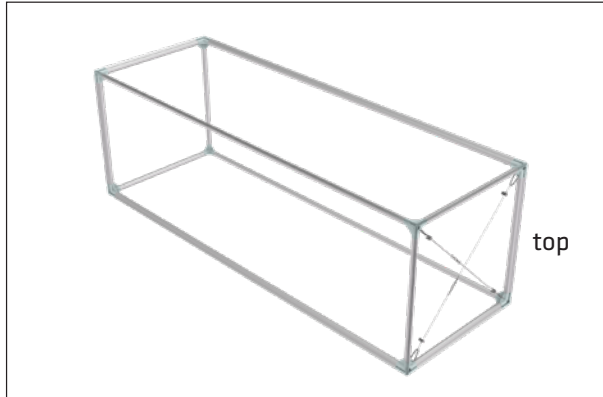
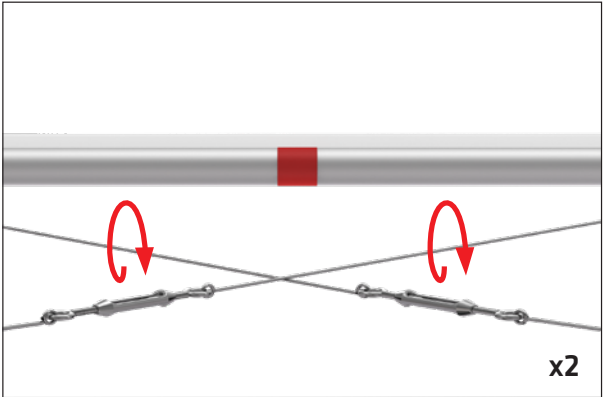
Step 3: Build and attach second side.
Connect all corner sections to straight sections of the frame. Blue pipes represent the vertical pole position and should face top and bottom. Connect all frames together.



Step 4: At the top of the frame attach cable to left and right side. Complete task twice to form an X.



Step 5: Move to the center of cable and hand tighten turnbuckle to remove any remaining slack. Do not over tighten.

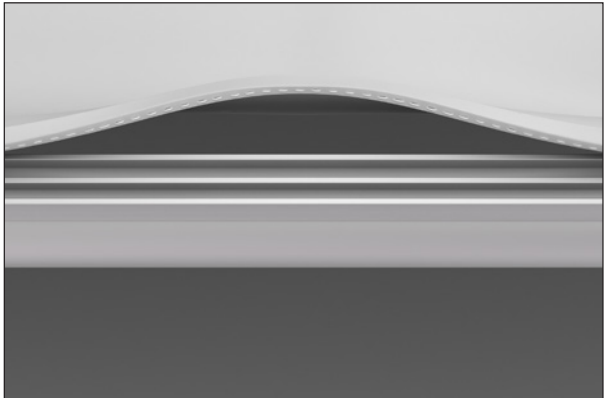
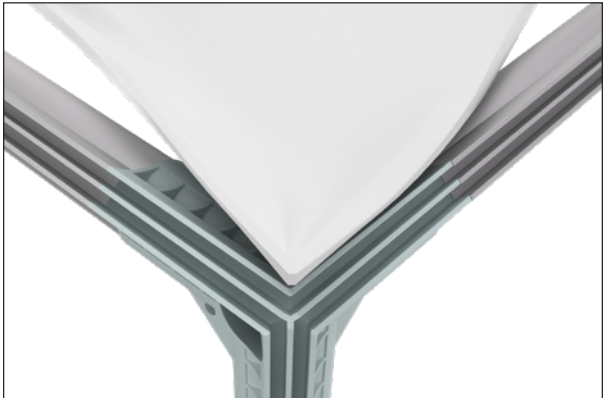
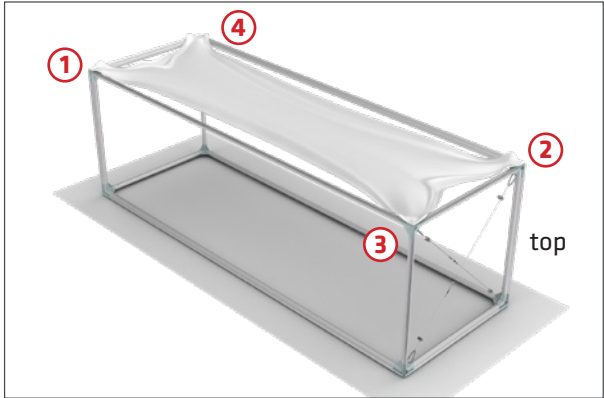


Set Up Instructions

CSNRT-100M

Use drop cloth on ground to prevent graphics from getting dirty!

Graphic Diagram



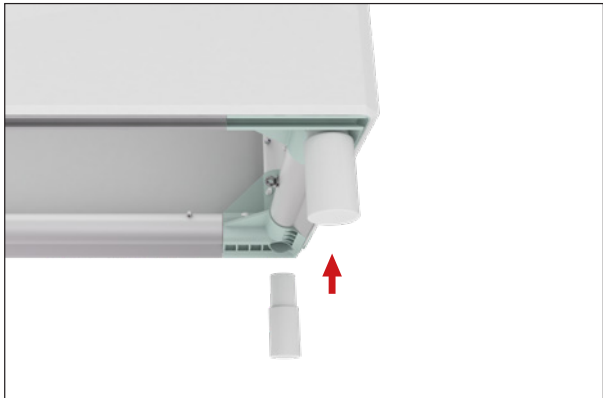
Step 6: Fold silicone edge graphics over an install into first corner of frame working outwards 4-6 inches. Repeat on remaining corners starting with the opposite corner. Follow the Graphic Diagram.

Step 7: Move to the center of each side of the frame to continue inserting the silicone edge graphics and work back toward the corners.

Step 8: Repeat Steps 6-7 until 3 sides are complete. Leave installation of fourth graphic until after the LED Light Arrays have been installed.

Step 9: Insert feet into 4 corners of the frame base.

Step 10: Lift tower into upright position with hanging cables for lights at the top.



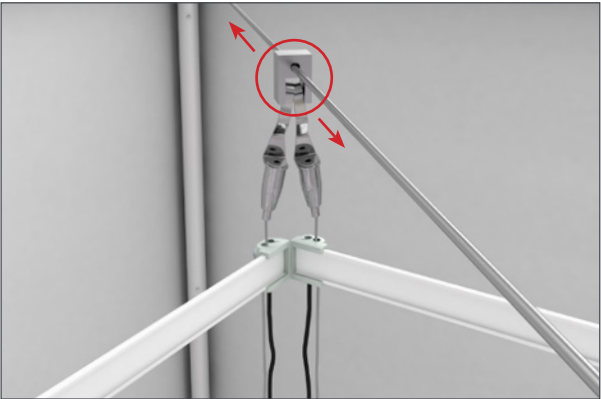
Set Up Instructions

CSNRT-100M

This step will require a ladder or step stool.

Step 11: Take out the LED Light Arrays and add to cable blocks with power connector at the bottom.

The cable blocks can be adjusted by pushing the **pin into the block** and sliding the block along the cable into desired position.



Step 14: Plug power supplies into the bottom of LED Light Arrays. 2 LED Light Arrays per power supply.

Step 15: Move tower to final display position and place power supplies inside tower. Repeat Steps 6-7 to install final graphic with the tower in the upright position.

