

Setup Instructions

Blimp Tube Tapered Square Tower



GENERAL INFORMATION

Use **Blimp Square Tower** setup instructions to create four banners for one displays.

Please check our **Waveline** playlist on the All4Displays YouTube channel for quick instructional videos on this display style.

For additional information please feel free to call us at 1.844.947.4777 or visit our website at All4Displays.com.

TOOLS

1x hex key



PARTS

(A) 16x straight poles:
8x part 3
8x part 12



(B) 16x straight corner poles: part 35



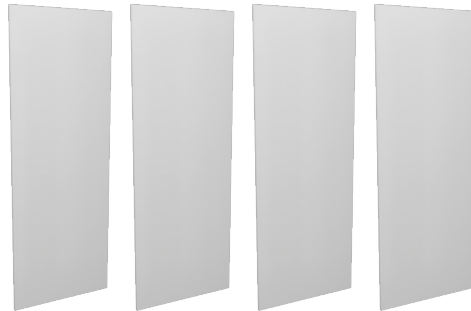
(C) 4x double circular feet: part 33



(D) 4x 90 degree clamps



(E) 4x fabric graphics



(F) 4x top support post: part 56



(G) 4x rounded corner poles: part 112



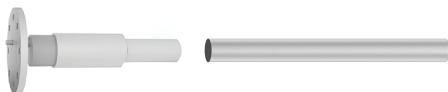
(H) 4x square tower support poles:
part 46



(I) 1x 4-way connector pole: part 42

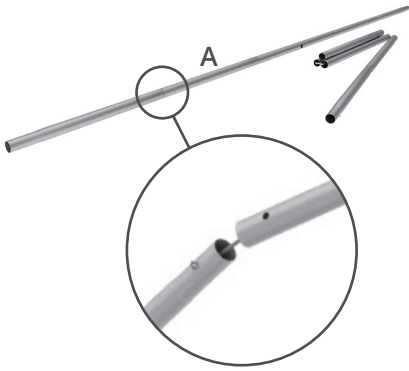


(J) 1x carousel pole w/extension pole:
part 44



STEP 01

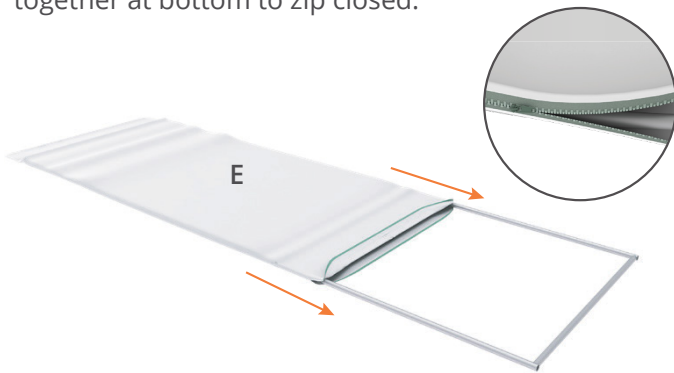
Assemble straight poles (A).



bungee pole connects by push button

STEP 03

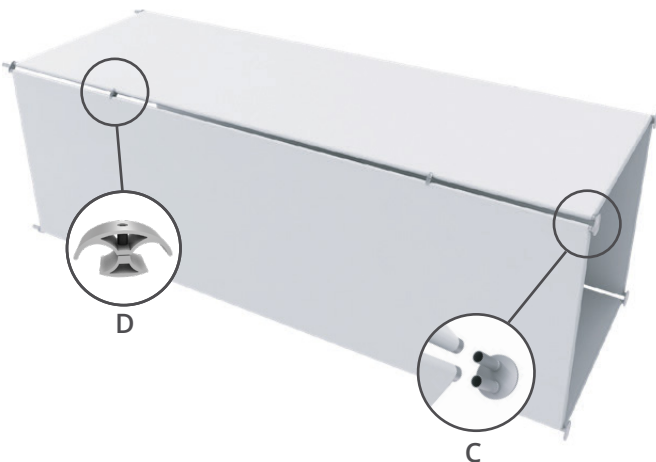
Unzip fabric graphic (E) and lay image face up. Slide fabric onto frame like a pillow case. Pinch graphic together at bottom to zip closed.



STEP 04

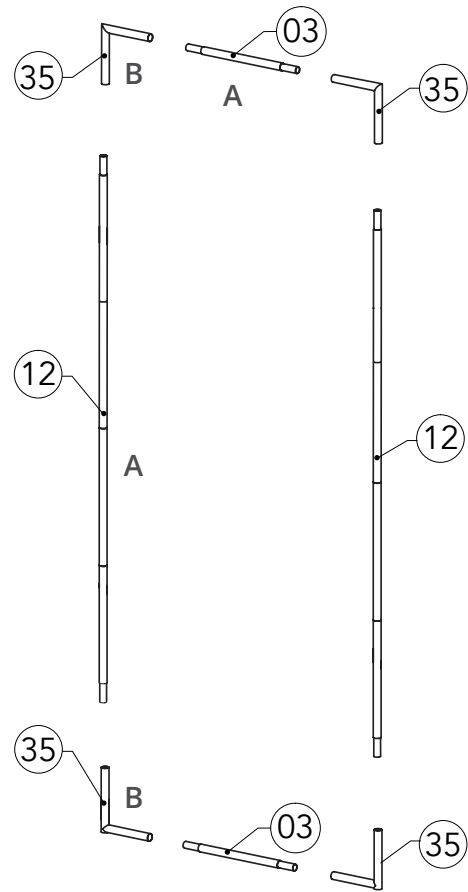
Repeat step 1-4 for the other three graphic panels. Install bottom circular feet (C) by joining two panels together and inserting dual posts into bottom of frame corners. Install 90 degree clamps (D) between panels and tighten with hex key for stability.

WARNING! Over-tightening may cause damage to the fabric graphic.



STEP 02

Connect corner poles (B) to straight poles (A) with matching shape codes. Connects by push button.



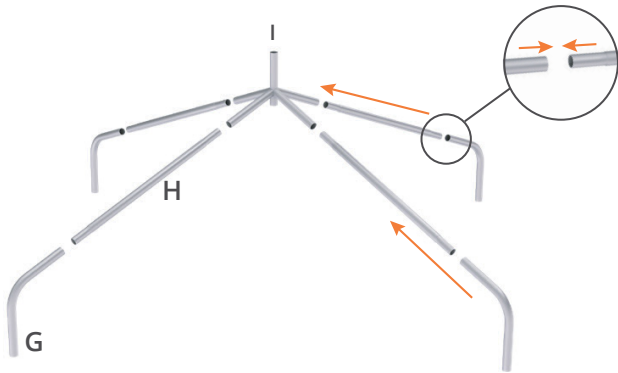
STEP 05

Install top support posts (F) by joining two panels together and inserting dual posts into bottom of frame corners. Do this for all four sides of the tower.



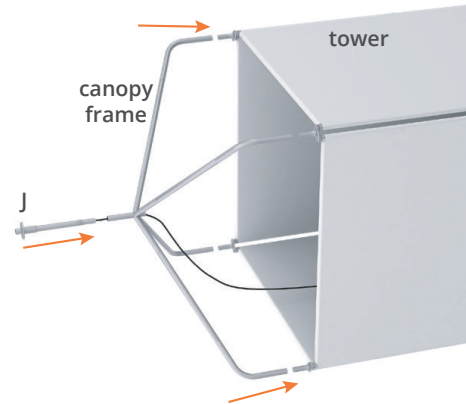
STEP 06

Assemble canopy frame by pushing and pulling round corner poles (G), square tower support poles (H), and 4-way connector pole (I) together.



STEP 07

Connect canopy frame to the tower. Insert center carousel pole (J) by running the power cord down through the canopy frame center pole and pushing into place.



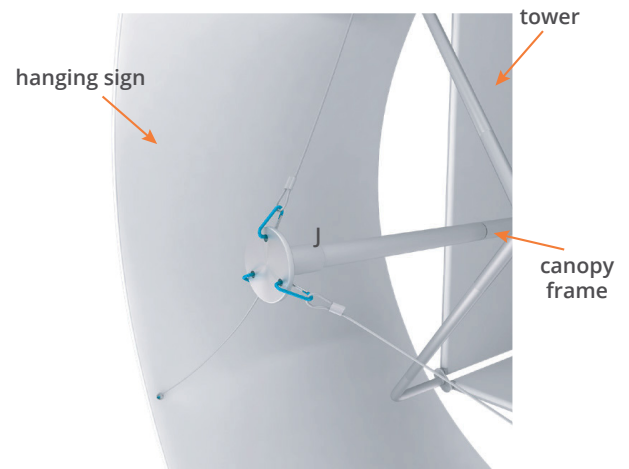
STEP 08

See tapered tube instructions for top hanging sign.



STEP 09

With tower and hanging sign on their sides, attach hanging sign to center carousel pole (J) using cables and clips. Push tower up into position.



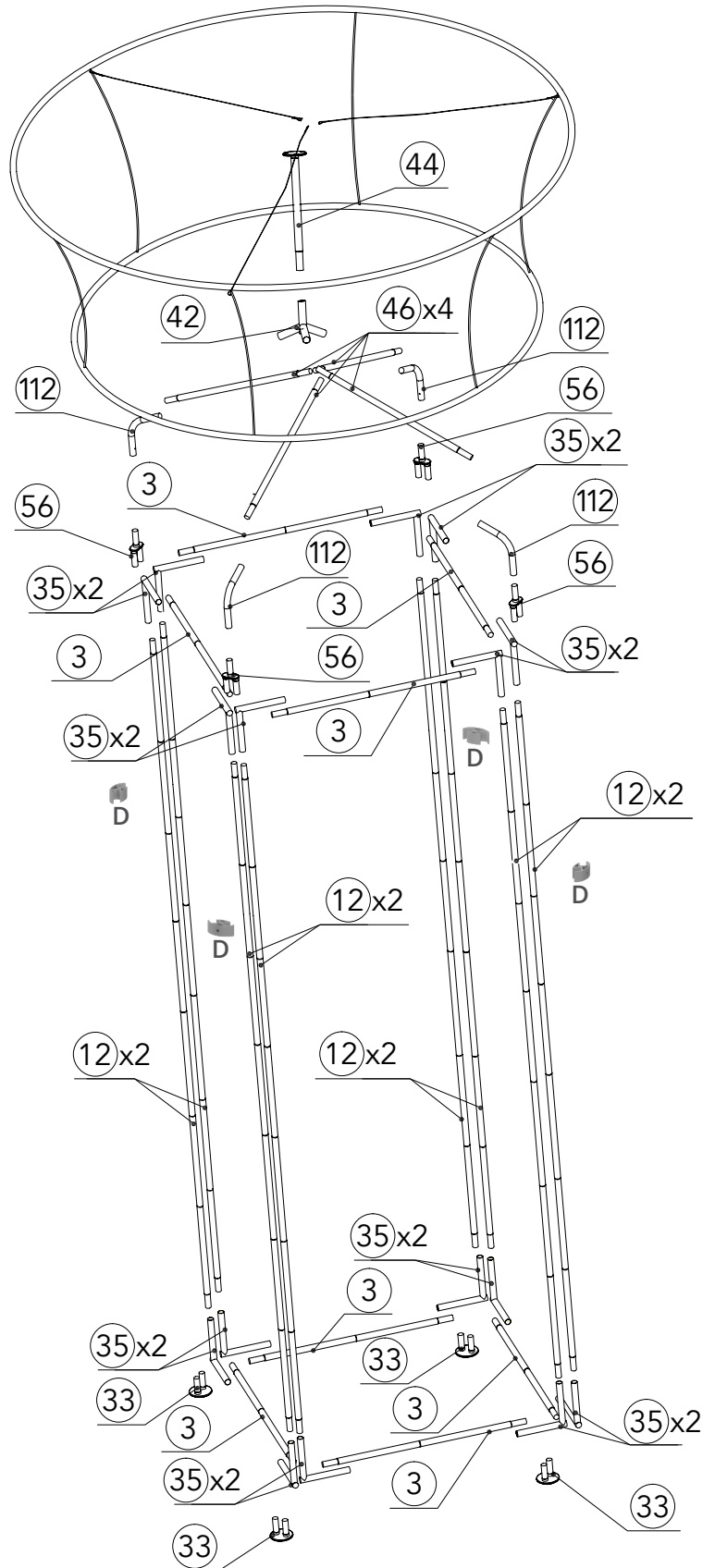
NOTE: If using monitor stands with the Blimp Square Tower, the vertical fabric graphic panels will need to be unzipped at the bottom edge and the fabric pulled up slightly to allow access to the interior of the tower.

STEP 10

Complete.

QUICK VIEW

Hardware configuration.



Setup Instructions

Blimp Tube Tapered Circular Sign



GENERAL INFORMATION

Use **Blimp Tapered Tube Hanging Sign** setup instructions to create one sign.

Please check our **Waveline** playlist on the All4Displays YouTube channel for quick instructional videos on this display style.

For additional information please feel free to call us at 1.844.947.4777 or visit our website at All4Displays.com.

TOOLS

No tools required

PARTS

(A) 4x circular poles



(B) 6x support poles



(C) 6x support cables

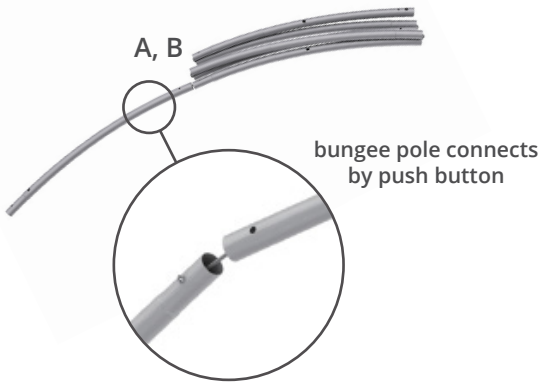


(D) 1x fabric graphic



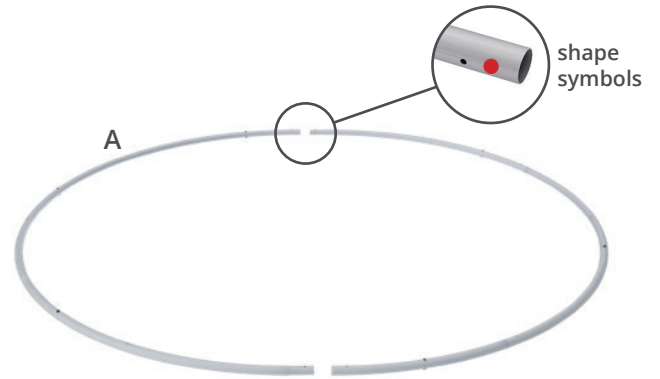
STEP 01

Assemble all poles (A, B).



STEP 02

Connect all pole (A) sections with any corresponding matching symbols.



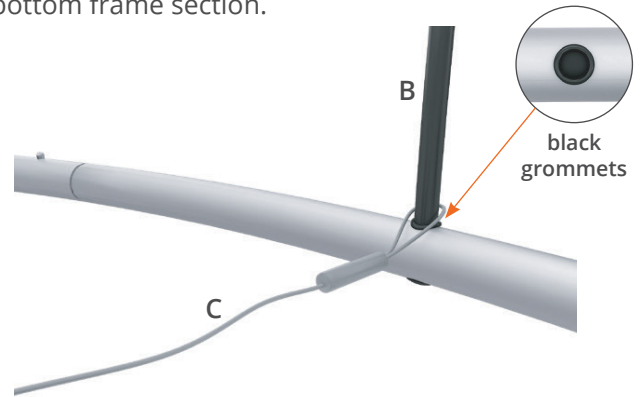
STEP 03

Align two frames together making sure the grommet holes in the sides of the poles face each other.



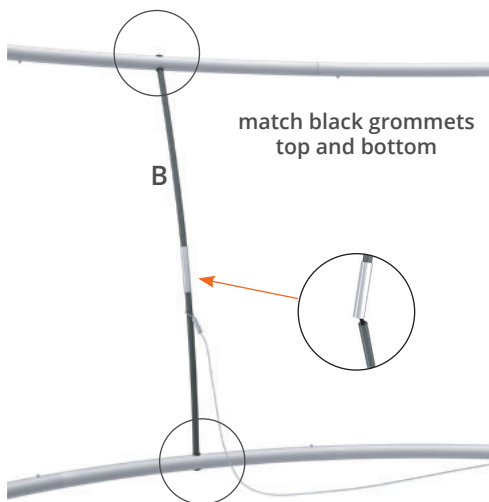
STEP 04

Push all support poles (B) into one frame. Locate all the poles pushed into black grommets and place one end of a support cable (C) eyelet over those poles into bottom frame section.



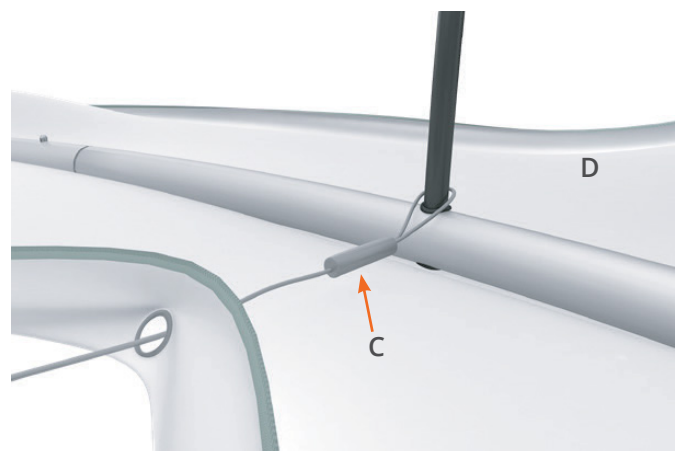
STEP 05

Align top frame to bottom frame and push support poles (B) into the frame. With some force connect the support poles in the middle to complete.



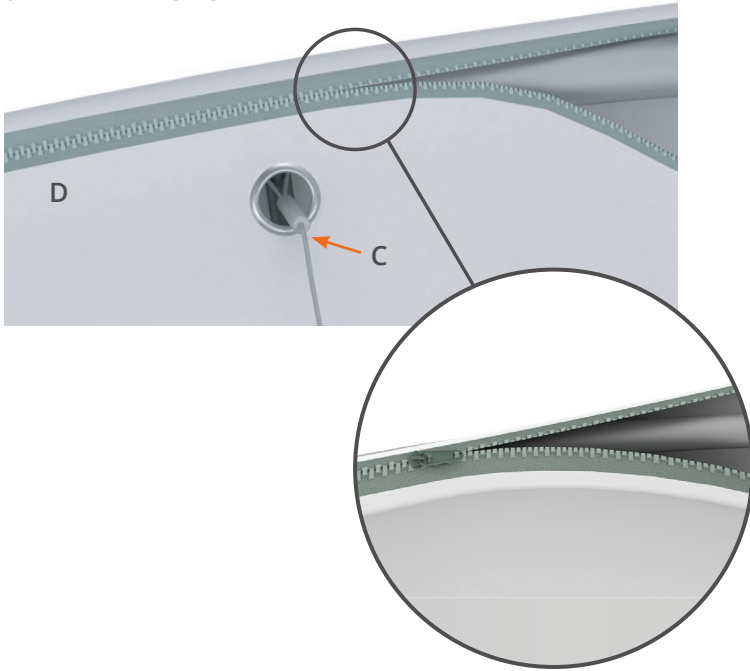
STEP 06

Unzip fabric graphic (D) and place one frame inside. Position holes on frame to align with eyelets in graphic. Thread support cable (C) through eyelet. Repeat for all eyelets.



STEP 07

Zip fabric graphic (D) closed around top of frame. Pull all support cables (C) out until inside loop is flush with eyelets. Attach all support cables together at a single point for hanging.



STEP 08

Complete.

