

Petnanny

E-mail: Support@petnannystore.com

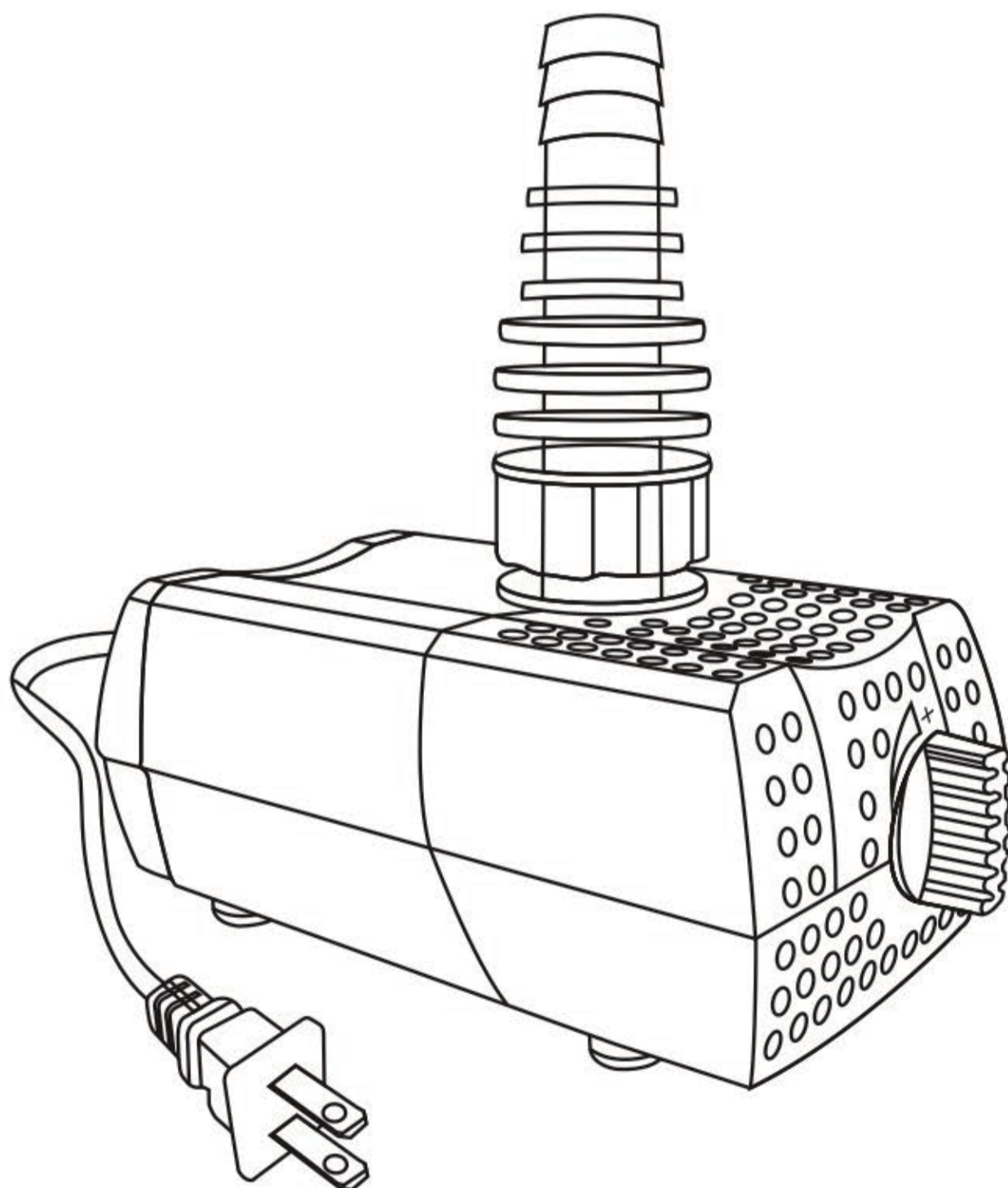
Website: www.petnannystore.com



HG-940 USER MANUAL

HYGGER EXQUISITE SUBMERSIBLE WATER PUMP

Hygger Aquarium Exquisite Submersible Water Pump is simple in appearance and practical in function, suitable for a variety of scenarios to meet your needs.



CAUTION: Place the pump fully submersed in water and then plug in power. And the pump can only be used in water.

1.PRODUCT FEATURES

- **Powerful and super quiet:** The water pump work very quiet and does not affect the rest of the user.
- **High performance and energy saving.**
- **Easy to remove and clean:** The water inlet of the pump is easy to disassemble and clean.
- **Water flow speed is adjustable:** You can turn the button on the water pump to adjust the water flow speed you want.
- **The outlet supports different sizes of pipes:** Screw type outlet, each specification of the pump can be connected to the three different sizes of pipes.
- **Perfect for aquariums, ponds, fountains, waterfalls, hydroponic systems, irrigation systems and water features.**
- **Suitable for freshwater and saltwater.**

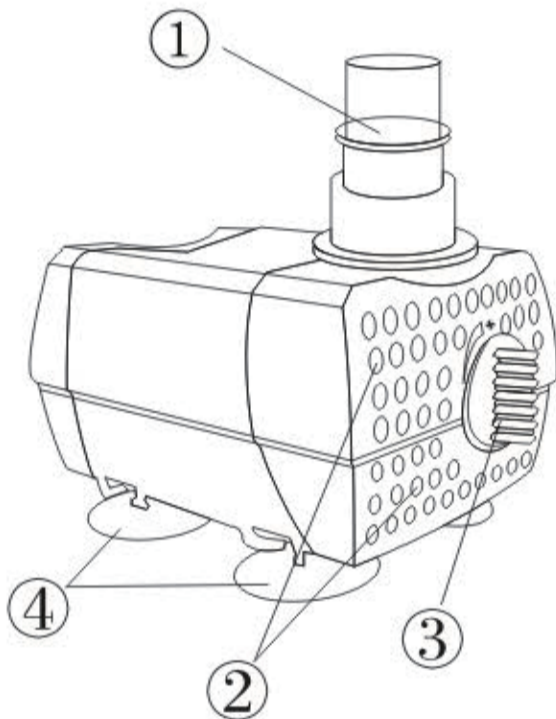
2.PRODUCT PARAMETERS

Model No:	Voltage & Frequency	Rated Power (W)	Max Head (ft)	Max Flow (GPH)	Cord Length (ft)	Measurement(inch)
HG-940-300	100-120V / 60HZ	3.5	2.3	80	6	2.6x1.8x1.9
HG-940-700		10	4.3	185		2.3x2.2x4.4
HG-940-1400		19	4.9	370		2.7x3.0x5.2
HG-940-2200		38	8.2	585		3.2x3.3x5.8

3.PRODUCT DIAGRAM

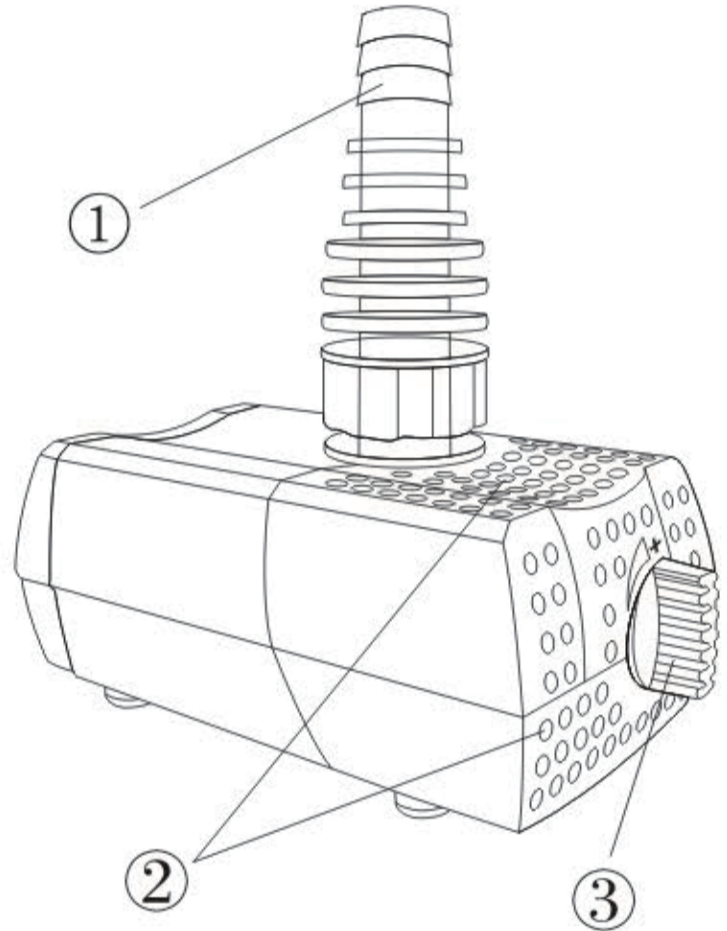
HG-940-300

- ① Outlet
- ② Demountable mask /water inlet
- ③ Adjustable water flow knob
- ④ Four strong suction cup



HG-940-700 HG-940-1400 HG-940-2200

- ① Removeable water outlet adapter
- ② Demountable mask/water inlet
- ③ Adjustable water flow knob



4.PACKAGE INCLUDES

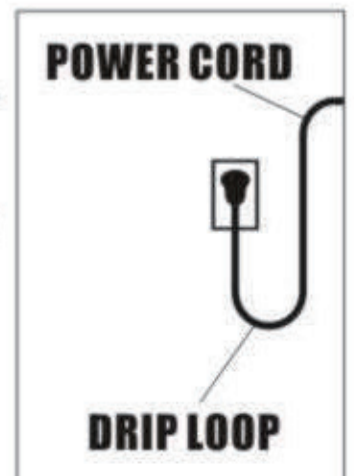
- 1x User manual
- 1x Submersible water pump

Outlet fittings as following:

Model	HG-940-300	HG-940-700	HG-940-1400	HG-940-2200
Outlet connection	Fixed outlet connection~1PC	3-in-1 outlet connection~2PCS		
	1/2"(13mm) 5/16"(8mm)	1/2"(13mm) 3/4"(19mm) 1"(25mm)	1/2"(13mm) 3/4"(19mm) 1"(25mm)	1/2"(13mm) 3/4"(19mm) 1"(25mm)

5. WARNING: To guard against injury, basic safety precautions should be observed including the following:

1. Read and follow this user manual strictly.
2. **DANGER-** To avoid possible electric shock, special care should be taken since water is employed in the use of aquarium equipment. For each of the following situations, do not attempt to repair yourself; return the pump to an authorized service facility for service or discard the pump.
 - A. If the pump shows any sign of abnormal water leakage or RCD (or GFCI-Ground Fault Current Interrupter), unplug the power and remove the pump from water.
 - B. Carefully examine the pump after installation. It should not be plugged in if there is water on parts not intended to be wet.
 - C. Do not operate the pump if it has a damaged cord or plug, if it is malfunctioning or if it is dropped or damaged in any manner. The power cord of this pump cannot be replaced, if the cord is damaged, the pump should be discarded.
 - D. To avoid the possibility of the pump plug getting wet, position aquarium stand and tank to one side of a wall mounted receptacle to prevent water from dripping onto the receptacle or plug. A "drip loop", shown in the figure below, should be arranged by the user for each cord connecting the pump to the receptacle. The "drip loop" is the part of the cord below the level of the receptacle, or the connector. If an extension cord is used, to prevent water traveling along the cord and coming in contact with the receptacle. If the plug or receptacle does get wet, DO NOT unplug the cord. Disconnect the fuse to the circuit breaker that supplies power to the pump. Then unplug and examine for the presence of water in the receptacle.
3. Close supervision is necessary when the pump is used near children.



- 4.** This pump is not allowed to use by persons (including children) with reduced physical, sensory or mental capabilities, or lack of experience and knowledge, unless they have been given supervision or instruction concerning use of the pump by a person responsible for their safety.
- 5.** To avoid injury, do not contact moving parts or hot parts and so on.
- 6.** Always unplug the pump from the outlet when not in use, before putting on or taking off parts, and before maintenance or placing hands in the water. Never yank the cord to pull plug from outlet. Grasp the plug and pull to disconnect.
- 7.** Do not use the pump for other than intended use. The use of attachments not recommended or sold by the appliance manufacturer may cause an unsafe condition.
- 8.** Do not install or store the pump where it will be exposed to the weather or to temperatures below freezing. This pump is suitable for use in water temperatures 40~ 95°F.
- 9.** Do not run dry or out of water.
- 10.** Only use in freshwater or saltwater, do not use the pump in other liquids.
- 11.** Make sure the pump is securely installed before operating it.
- 12.** Read and observe all the important notices on the pump.
- 13.** If an extension cord is necessary, a cord with a proper rating should be used. A cord rated for less amperes or watts than the appliance rating may overheat. Care should be taken to arrange the cord so that it will not be tripped over or pulled.
- 14.** The pump is intended FOR HOUSEHOLD USE ONLY. Do not use or mount this pump in such a way that the top vents are restricted or blocked. These vents are necessary to avoid over heating and ensure safe operating temperatures.
- 15.** Due to all the pumps need to be professional water testing by manufacturer before shipment, if the water pump you received with a little water, please don't worry, the little water was left from professional water testing, it is a normal phenomenon. It is new and normal pump.
- 16.** SAVE THIS USER MANUAL.

6. MAINTENANCE AND TROUBLE RESOVLE

To clean the pump, remove the intake cover, sealing cover and the impeller.

Use a small brush or steam of water to remove any debris. If the pump doesn't work, check as following:

- Check the circuit. Please try to plug on another power socket, to ensure the pump switched on with power. Note, please do not plug on before operation.
- Check the pump outlet and tube, whether blocked by dirty.
- Check the inlet cover to ensure not clogged by debris.
- Remove the pump inlet cover to access the impeller. Turn around the rotor to check whether broken or jammed.
- Monthly maintenance will prolong your pump's life. Clean the rotor, remove the dirt.

Note: For indoor use, the power socket must be installed with the leakage current protecting device, and the leakage current shall not exceed 30 mA (The consumer must install the leaking current protection device by themselves).

7. DISPOSAL

Do not dispose this product as unsorted municipal waste. Collection of such waste separately for special treatment is necessary. This product must not be disposed together with the domestic waste. This product has to be disposed at an authorized place for recycling of electrical and electronic appliances. By collecting and recycling waste, you help save natural resources, and make sure the product is disposed in an environmental friendly and healthy way.



8. WARRANTY

1. 1-year free warranty.
2. 1-month free return.
3. Free replacement for 3 months.



Thank you for choosing Hygger, making aquarium keeping easier one product at a time.

If you have any problems or suggestions for the submersible water pump, please contact us by email before leaving feedback or opening a case, it will be the fastest way to solve your problem.

If you are satisfied with the submersible water pump, please leave positive feedback for our product, in order to let more customers enjoy it. Thanks again!