

Petnanny

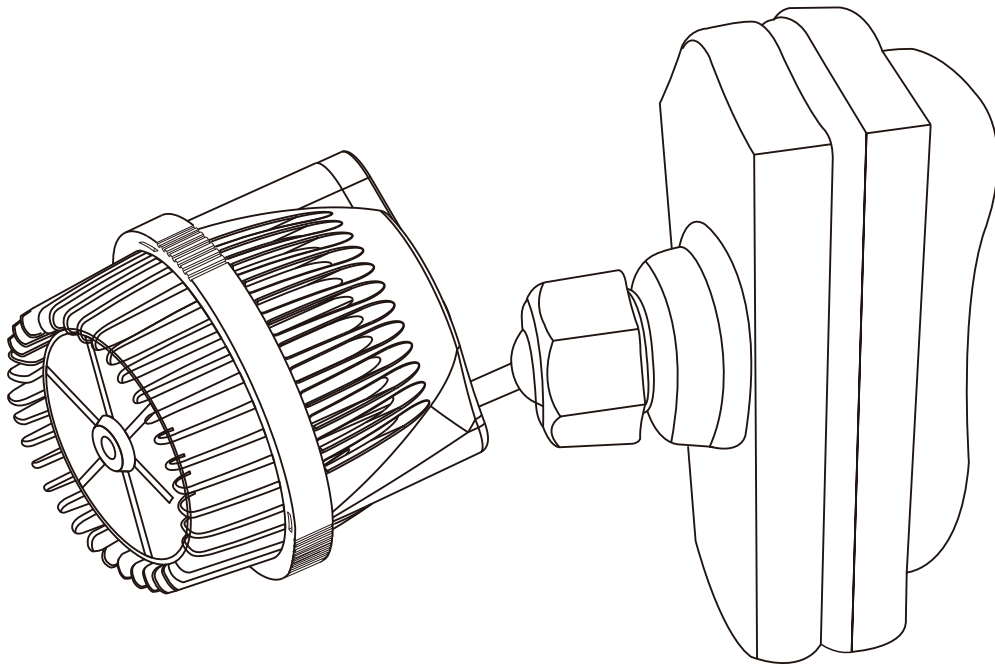
E-mail: Support@petnannystore.com

Website: www.petnannystore.com



HG-010 USER MANUAL

HYGGER WAVE MAKER



E-mail: Mago@hygger-online.com

Hygger wave maker is come with new design but simple. The strong magnetic & suction base can be easily and sturdy installed on the wall. Please read the manual carefully before using.

1. PRODUCT FEATURES

Circulate the aquarium water :Simulates the natural currents of natural bodies of water,such as rivers or oceans,providing exercise and healthy flow for your tank. It is designed to stir up debris and remove dead spots of your tank. In addition,the pump can be used to increase the oxygen level of the water.

Quiet and powerful :Single head makes strong waves to circulate the water quietly and efficiently.The magnetic and suction base reduces noise and protect the glass when the pump running.

360 Degree Rotation :The head rotates a full 360 degree,offering full control of the direction of flow,creating natural water motion.

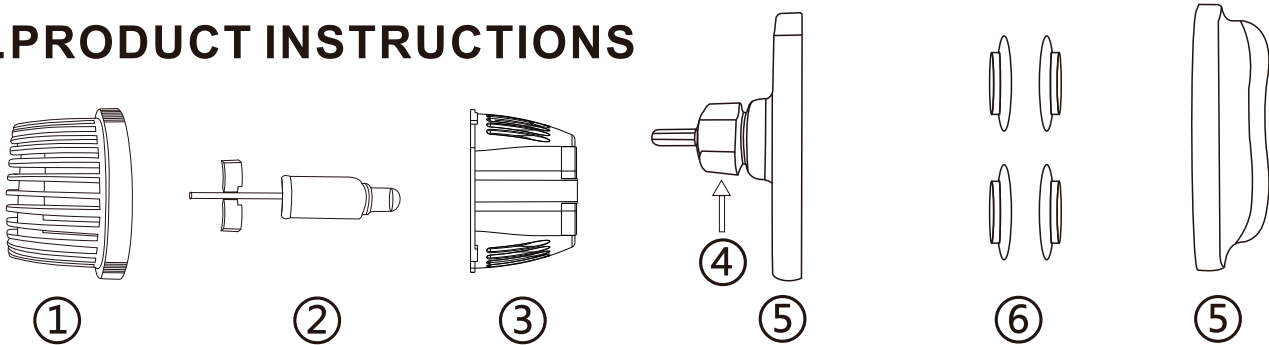
Easy to install and use :Easy installation with magnetic holders.

Suitable for saltwater and freshwater

2.PRODUCT PARAMETERS

Model	Power of water pump	Max volume of flow	Applicable Tank
HG-010-S	110-120V 60Hz 5W 220-240V 50Hz 5W	1050 GPH (4000 LPH)	20-60 Gallon (75-225L)
HG-010-M	110-120V 60Hz 12W 220-240V 50Hz 12W	2100 GPH (8000 LPH)	75-130 Gallon (280-490L)

3.PRODUCT INSTRUCTIONS

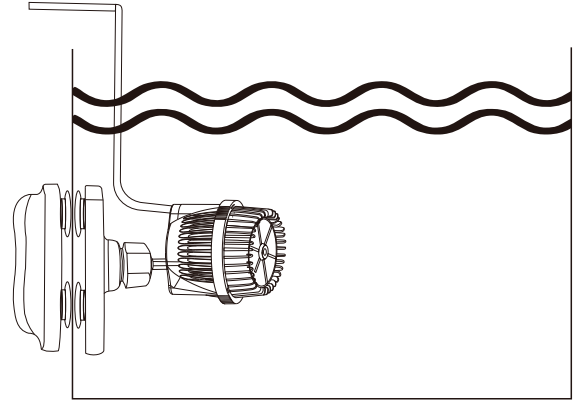


1.Front cover 2.Impeller 3.Pump 4.Fixture 5.Magnetic base 6.Suction base

Fig. 1

4. INSTALLATION

1. Unpack the box and check that if the pump and other accessories are included. If any parts are missing, please contact seller.
2. Insert the fixture of the magnetic base into the pump.
3. Apart the magnetic base.
4. Adjust the required angle of the wave maker, then install it at the position 6-8 inch below water level. Place the magnetic and suction base mount outside the tank.
5. Power it on.



5. MAINTENANCE

Clean the wave maker to ensure its efficient operation

1. Shut off the power
2. Cleaning the debris in the pump, first, rotate the front cover of wave maker, and then remove the impeller, wipe the impeller with a soft cloth and clean the pump with water.

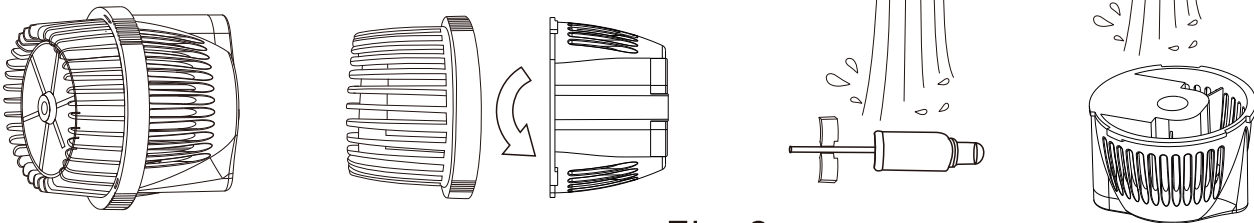


Fig. 2

3. Install back the pump, first, put the impeller into the pump, like the Fig.3
Then install the impeller and the front cover, like the Fig.4
At the last rotate the front cover tightly, like the Fig.5

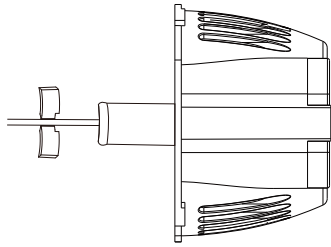


Fig. 3

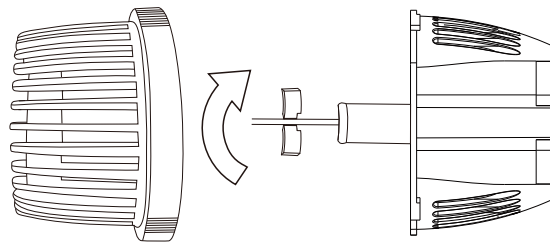


Fig. 4

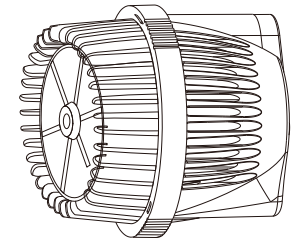


Fig. 5

6. ATTENTION:

- Please read the manual carefully before use and follow all instructions.
- If the wave maker is stuck, then it needs to be cleaned and reassembled.
- Running dry is not allowed to guarantee the product's performance.
- Please unplug the power before maintenance.
- Please remember that the temperature range for the wave maker is 32~113°F.

7. TROUBLE SHOOTING

Phenomenon	Reason	Solution
Pump does not work or unusual noise.	<ol style="list-style-type: none"> 1. Check if debris is stored around impeller or magnet of impeller. 2. Check if the impeller unit is assembled correctly after cleaning. 3. Check for fine grain sand if using sandy substrate. 4. Check if impeller unit is worn out. 	<ol style="list-style-type: none"> 1. Clean the pump. 2. Shut off the power and re-set the impeller. 3. Change to larger particle sand or ensure the filter intake is not near sand. 4. Replace the impeller unit.

8. WARNING: To avoid possible electrical shock, basic safety precautions should be observed including the following:

1. Read and follow this user manual strictly.
2. **DANGER**-To avoid possible electric shock, special care should be taken. For each of the following situations, do not attempt to repair it yourself; return it to an authorized service facility for maintenance or discard it.
 - A.** Carefully examine after installation. It should not be plugged in if there is water on parts that are not supposed to be wet.
 - B.** Do not use it if it has a damaged cord or plug, if it is malfunctioning or if it is dropped or damaged in any manner. The power cord of it cannot be replaced; if the cord is damaged, it should be discarded.
 - C.** To avoid the possibility of its plug getting wet, position the aquarium stand and tank to one side of a wall-mounted receptacle to prevent water from dripping onto the receptacle or plug. A “drip loop”, as shown in the picture below, should be arranged by the user for each cord connecting the light to the receptacle. The “drip loop” is the part of the cord below the level of the receptacle or the connector. If an extension cord is used, prevent water from traveling along the cord and coming in contact with the receptacle. If the plug or receptacle does get wet, **DO NOT** unplug the cord. Disconnect the fuse to the circuit breaker that supplies power to it. Then unplug and examine for the presence of water in the receptacle.

3. Close supervision is necessary when it is used near children.

4. To avoid injury, do not touch the moving or hot parts.

5. Make sure it is securely installed before using it.

6. Read and observe all the important notices on it.

7. If an extension cord is necessary, a cord with a proper rating should be used. A cord rated for less amperes or watts than the appliance rating may overheat. Care should be taken to arrange the cord so that it will not be tripped over or pulled.



8. It is intended FOR HOUSEHOLD USE ONLY.

9. SAVE THIS USER MANUAL.

9. WARRANTY:

1. 1-year free warranty.

2. 1-month free return.

3. Free replacement for 3 months.

10. DISPOSAL

Do not dispose this product as unsorted municipal waste. This product must not be disposed of together with the domestic waste it must be disposed of at an authorized place for recycling of electrical and electronic appliances. By collecting and recycling waste, you help save natural resources, and make sure the product is disposed in an environmentally friendly way.

11. Contact information:

E-mail: Support@petnannystore.com

Website: www.petnannystore.com

Thank you for choosing Hygger. Making aquarium keeping easier one product at a time.

If you have any problems or suggestions for the Hygger wave maker, please contact us by email before leaving feedback or opening a case, it will be the fastest way to solve your problem. If you are satisfied with this product, please leave positive feedback for our product in order to let more customers enjoy it. Thanks again!

