

Petnanny

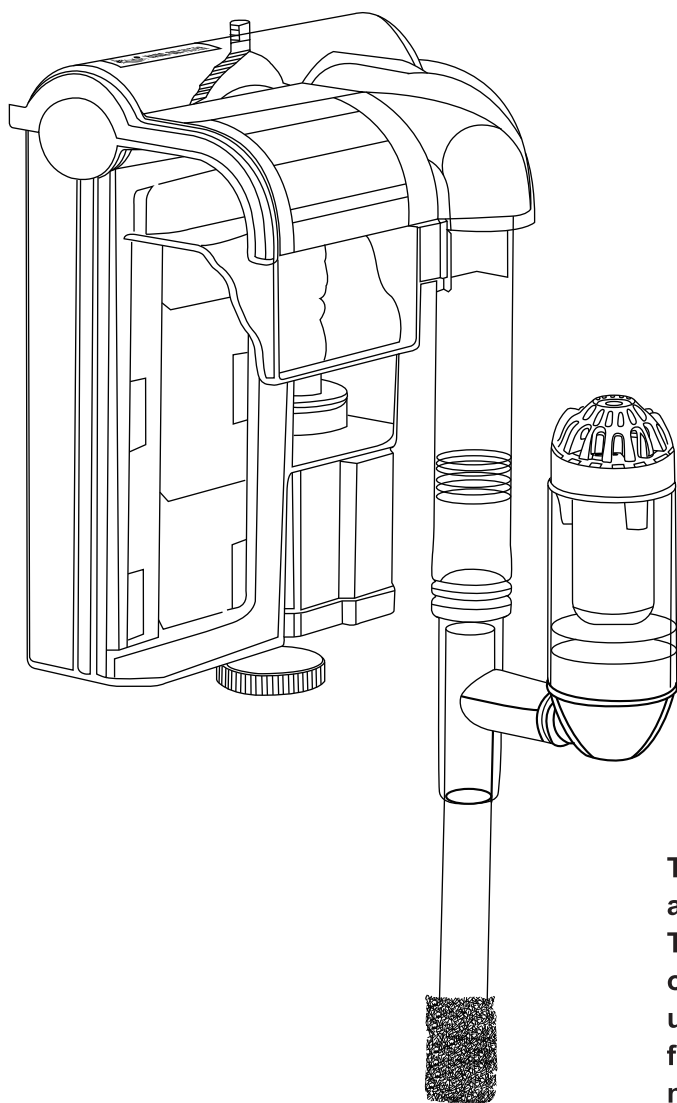
E-mail: Support@petnannystore.com

Website: www.petnannystore.com



USER MANUAL

AQQA Aquarium Waterfall Filter AQ106



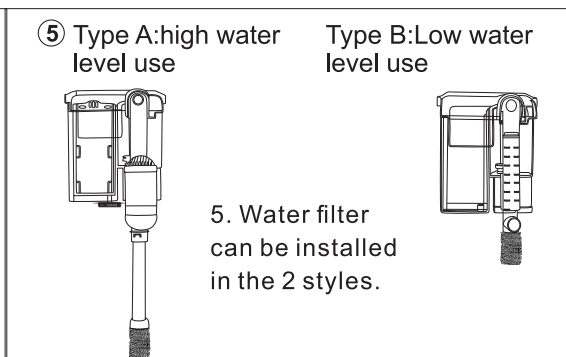
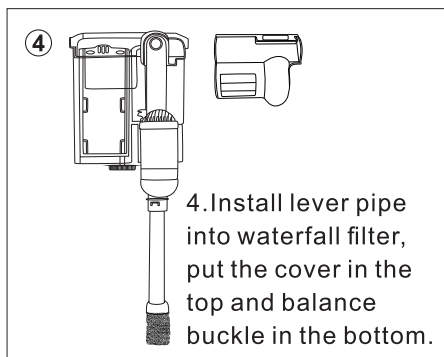
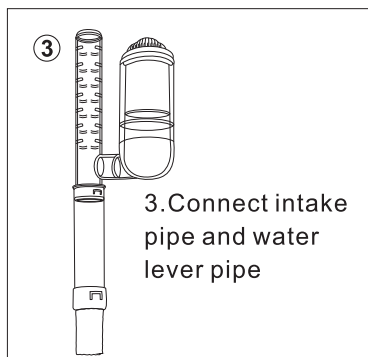
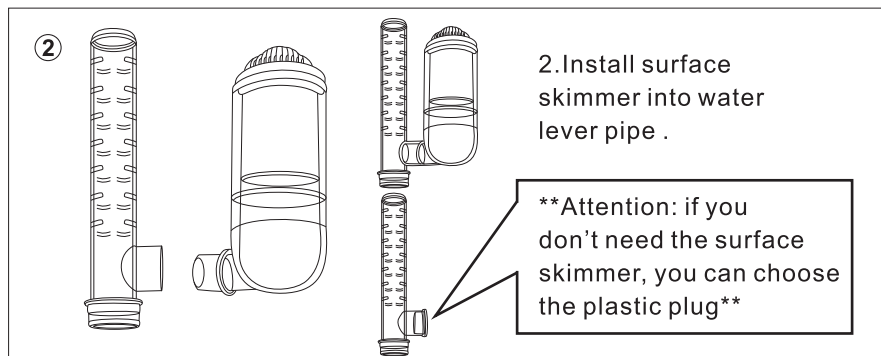
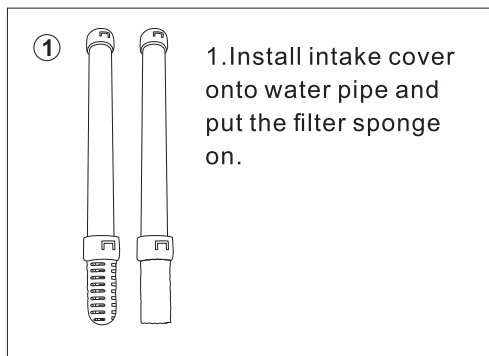
The AQQA's product adopts a large filter area, ultra-thin with a smooth unique shape. The surface skimmer can remove the oil film on the water surface as the water level floats up and down. The outlet flow can be adjusted freely, and the filter is self-priming so there is no need to add water after power off.

****Please read this manual carefully before using this product and follow the instructions to insure proper operation****

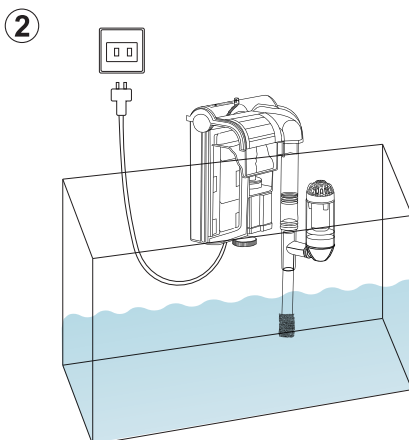
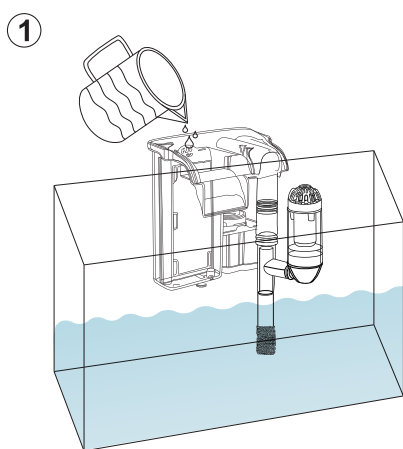
I . PRODUCT FEATURES:

1. Ultra-thin and waterfall aerobic filter design
2. Activated carbon, high density filter cotton, biochemical sponge, 3 layers of filtration.
3. Adjustable water flow and auto restart after power off
4. Surface skimmer function

II. Installation Instructions:



IMPORTANT



- 1) Please fill the waterfall chamber with around 700ml (about 2.5 cups) of water before plugging the filter in for the first time.
- 2) Be sure the water level in the tank is not less than the low water mark.
- 3) Cleaning the filter sponge weekly is suggested.
- 4) Temperature range for the filter is 33.8~95°F.
- 5) Unplug the filter before maintenance.

III . PACKAGE INCLUDES:

- a. 1- Aquarium waterfall filter
- b. 1- Water pipe
- c. 1- Intake water cover
- d. 1- Filter sponge
- e. 1- Low water lever pipe
- f. 1- Surface skimmer
- g. 1- Balance buckle
- h. 1- Plug
- i. 1- User manual

IV. TROUBLE SHOOTING

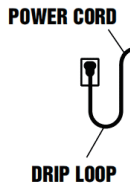
Problem	Possible cause	Solution
No water flow	Power off	Check the filter is plugged in
	Something in rotor making it unable run	Clean the rotor
	Water inlet tube installed incorrectly	Re-install the surface skimmer
Abnormal sound	The water level is below the water mark	Add water into the aquarium
	Water inlet tube installed incorrectly	Reinstall the surface skimmer
Decreased Flow	Filter media is full	Replace the filter media

V. PRODUCT PARAMETERS

Voltage	Power	Q.Max	Sound	Cord length	Application	Dimension
<input type="checkbox"/> AC 110-120V / 60 Hz	2.0W	74GPH 280L	<30 dB	5.9FT 1.8M	5-10 Gal	6.3"X4.84"X7.87"
<input type="checkbox"/> AC 220-240V/50Hz						
Filter Replacement	14CM(L)X5.5CM(W)/5.5"(L)X2.17"(W)					

VI. WARNING: To guard against injury, basic safety precautions should be observed including the following:

1. Read and follow this user manual strictly.
2. **DANGER** - To avoid possible electric shock, special care should be taken in the use of aquarium equipment. For each of the following situations, do not attempt repairs yourself. Return the appliance to an authorized service facility for service or discard the appliance.
 - A. If the appliance falls into the water, DON'T reach for it! First unplug it and then retrieve it. If electrical components of the appliance get wet, unplug the appliance immediately.
 - B. If the appliance shows any sign of abnormal water leakage, immediately unplug from the power source.
 - C. Carefully examine the appliance after installation. It should not be plugged in if there is water on parts not intended to be wet.
 - D. Do not operate any appliance if it has a damaged cord or plug, if it is malfunctioning or if it is dropped or damaged in any manner.
 - E. To avoid the possibility of the appliance, plug or power outlet getting wet, position aquarium stand and tank to one side of a wall mounted outlet to prevent water from dripping onto the outlet or plug. A "drip loop", shown in the figure at right, should be arranged by the user for each cord connecting an aquarium appliance to an outlet. The "drip loop", is that part of the cord below the level of the outlet or the connector, if an extension cord is used, to prevent water from traveling along the cord and coming in contact with the outlet. If the plug or outlet does get wet, DON'T unplug the cord. Disconnect the fuse or circuit breaker that supplies power to the appliance. Then unplug and examine for presence of water in the outlet.
3. Close supervision is necessary when the filter is used near children.
4. To avoid injury, do not touch moving or hot parts.
5. Always unplug the filter from the outlet when not in use, before putting on or taking off parts, and before maintenance or placing hands in the water. Never yank the cord to pull the plug from the outlet. Grasp the plug and pull gently to disconnect.
6. Do not use the filter for other than intended use. The use of attachments not recommended or sold by the appliance manufacturer may cause an unsafe condition and will void the warranty.



Do not install or store the filter where it will be exposed to the weather or to temperatures below freezing. This filter is suitable for use in water temperatures less than 95 °C.

Make sure the filter is securely installed before operating it.

Read and observe all the important notices on the filter.

If an extension cord is necessary, a cord with a proper rating should be used. A cord rated for less amperes or watts than the appliance rating may overheat. Care should be taken to arrange the cord so that it will not be tripped over or pulled.

The filter i

VII. WARRANTY:

1. 1-year free warranty. 2. 1-month free return. 3. Free replacement for 3 months.

VIII. DISPOSAL

Do not dispose this product as unsorted municipal waste. This product must not be disposed together with the domestic waste it must be disposed of at an authorized place for recycling of electrical and electronic appliances. By collecting and recycling waste, you help save natural resources, and make sure the product is disposed in an environmental friendly way.



IX. Contact information:

Company Name: Shenzhen Aiku Pet Technology Co., Ltd

Address: Room 501, No.20, Lane 1, Lishipai, Dafapu Community Bantian Street, Longgang District, Shenzhen Guangdong. 518000

Please provide your amazon order id (amazon invoice) and shipping address by E-mail: service@aqqapet.com if you have any problems.



Company name: Like Sun GmbH
Address: Planckstr.59 45147 Essen
Email: ec-connection@web.de
Tel: +49 47139156605



Company name: KOVA ASSOCIATES LTD
Address: 72a Kingston Road, Portsmouth,
Hampshire, PO2 7PA, United Kingdom
Email: KOVA.Compliance@outlook.com
Tel: 0044(0)23 8097 0315

