

**Petnanny**

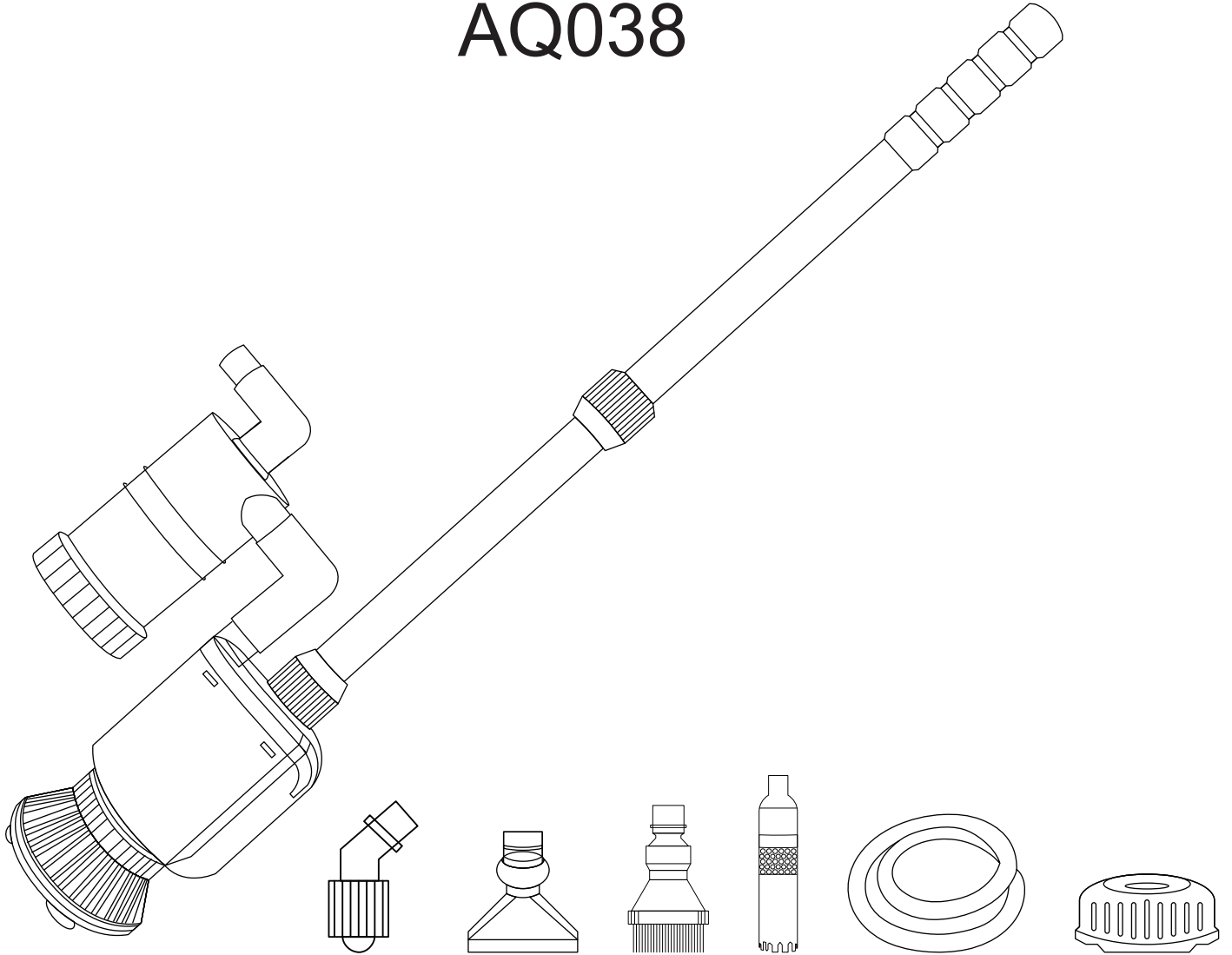
E-mail: [Support@petnannystore.com](mailto:Support@petnannystore.com)

Website: [www.petnannystore.com](http://www.petnannystore.com)



# USER MANUAL

## AQQA Multifunctional Vacuum Gravel Cleaner AQ038



**AQQA Electric Vacuum Gravel Cleaner is a versatile tool to clean gravel, wash sand, and change water. Please read this user manual carefully before using and follow in strict accordance with the manual.**

\*\*\*\*\*Reminder: The switch is not waterproof, please do not allow it to get wet\*\*\*\*\*

# 1.PRODUCT FEATURES

**Multi-function:** Our vacuum cleaner is multi-use for changing water, removing detritus and cleaning sand.

**Powerful Vacuum:** Water pump provides strong water flow, is powerful enough to change water, remove detritus and fish waste out of the aquarium quickly.

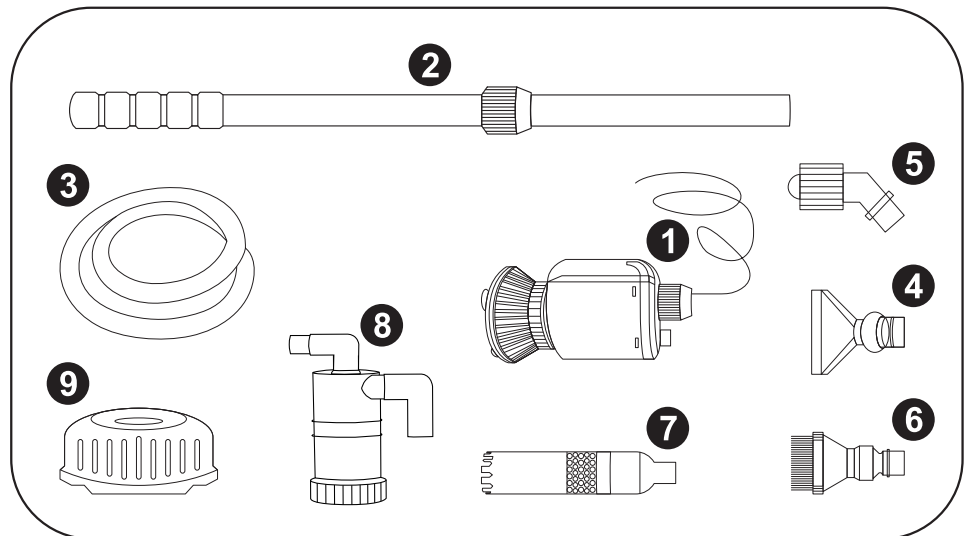
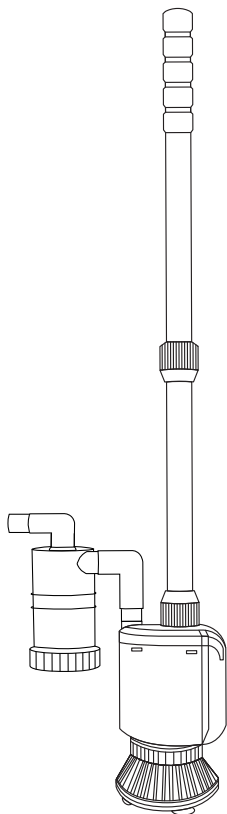
**Extension Handle:** Aquarium gravel cleaner with two extension tubes can create a total length of 38.4 inches (97.5CM) . The tube can be extended from 16.9 inches (42.9CM) to 33.6 inches(85.3CM), which allows for a wide range of aquarium applications.

**Easy to operate:** Easy to assemble and use. Multiple add-ons allow for ease of use in any sized aquarium!

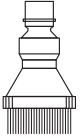
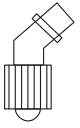

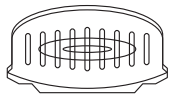
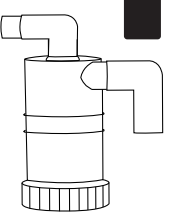
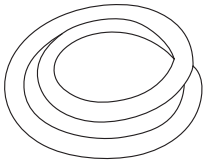
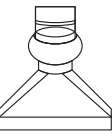
## Specifications:

<b>Model:</b>	AQ038	
<b>Power:</b>	20W	
<b>H max:</b>	5.6ft/1.7m	
<b>Q max:</b>	320GPH/1200L/H	
<b>Voltage:</b>	<input type="checkbox"/> AC 110-120V/60Hz	<input type="checkbox"/> AC 220-240V/50Hz
<b>Line Length:</b>	9.4ft/2.8m	
<b>Outlet:</b>	15mm	

## 2.ACCESSORIES AND ASSEMBLE INSTRUCTION: A)Accessories Included:



<b>1</b> Water pump×1	<b>2</b> Extension tube×1	<b>3</b> Outlet pipe x1
<b>4</b> Scraper×1	<b>5</b> Corner wash head×1	<b>6</b> Brush head x1
<b>7</b> Sand vacuum with filter sponge×1	<b>8</b> Filter cup with filter sponge×1	<b>9</b> Intake cover×1

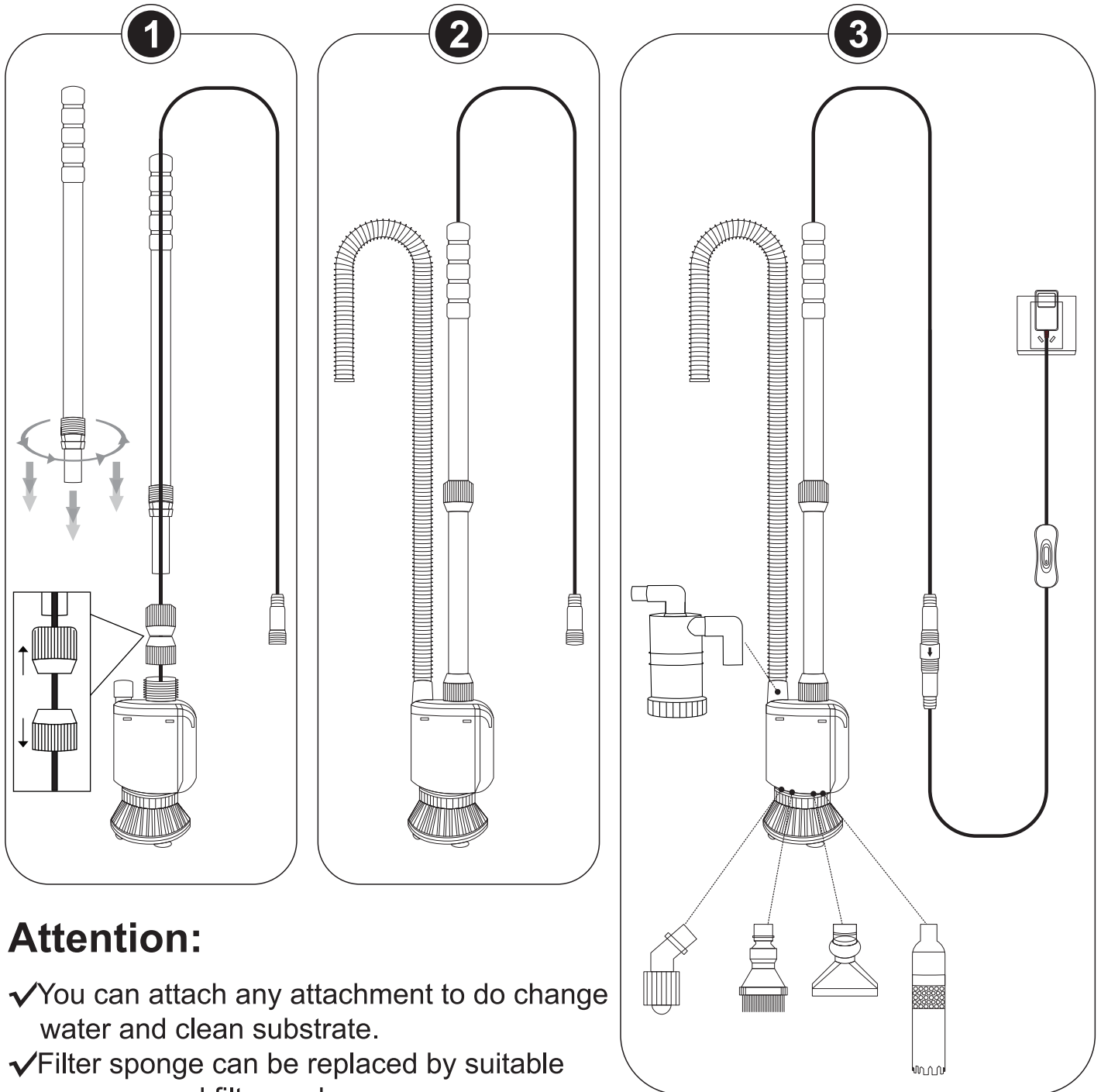
	Brush head		clean dirt
	Sand washing head	Wash sand	Wash large gravel
	Sand vacuum	Wash sand	Quick wash sand, separates, and removes debris
	Intake cover	Water change	Keep large gravel from entering pump to prevent blockage while operating
	Filter cup with filter sponge		Filter the sand or dirt
	Outlet		Change water in or out with included water pump
	Water intake		Remove dirt into the filter

## B) Assemble instruction:

Sept 1: Turn and pull out the inside tube, and then put the wire cord with a plastic screw through into the extension tube. Screw it in well .

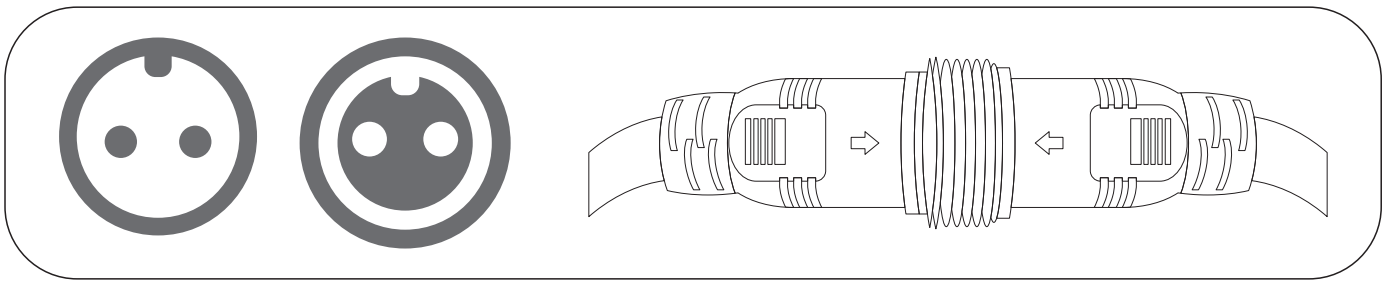
Sept 2: Install the filter cup with filter sponge or outlet pipe.

Sept 3: Install the tools for your desired function.



### Attention:

- ✓ You can attach any attachment to do change water and clean substrate.
- ✓ Filter sponge can be replaced by suitable sponges and filter pads.
- ✓ Install the cable into the correct bayonet and lock well using the plastic screw. Please refer to the pictures below:



✓The Aqqa's cable or adapter cannot be matched with other brand's products, otherwise, accidents are likely to occur.



**3.WARNING:** To guard against injury, basic safety precautions should be observed including the following:

1.Read and follow this user manual strictly.

2.DANGER-To avoid possible electric shock, special care should be taken since water is employed in the use of aquarium equipment. For each of the following situations, do not attempt to repair yourself; return the pump to an authorized service facility for service or discard the pump.

A.If the pump shows any sign of abnormal water leakage or RCD (or GFCI-Ground Fault Current Interrupter), unplug from power and remove the pump from water.

B.Carefully examine the pump after installation. It should not be plugged in if there is water on parts not intended to be wet.

C.Do not operate the pump if it has a damaged cord or plug, if it is malfunctioning or if it is dropped or damaged in any manner. The power cord of this pump cannot be replaced, if the cord is damaged, the pump should be discarded.

D.To avoid the possibility of the pump plug getting wet, position aquarium stand and tank to one side of a wall mounted outlet to prevent water from dripping onto the outlet or plug. A "drip loop", shown in the figure below, should be arranged by the user for each cord connecting the pump to the outlet. The "drip loop" is the part of the cord below the level of the outlet, or the connector. If an extension cord is used, to prevent water traveling along the cord and coming in contact with the outlet. If the plug or outlet does get wet, DO NOT unplug the cord. Disconnect the fuse to the circuit breaker that supplies power to the pump. Then unplug and examine for the presence of water in the outlet.

**POWER CORD**



**DRIP LOOP**

3. Close supervision is necessary when the pump is used near children.
4. This pump is not allowed to be used by persons (including children) with reduced physical, sensory or mental capabilities, or lack of experience and knowledge, unless they have been given supervision or instruction concerning use of the pump by a person responsible for their safety.
5. To avoid injury, do not contact moving parts or hot parts.
6. Always unplug the pump from the outlet when not in use, before putting on or taking off parts, and before maintenance or placing hands in the water. Never yank the cord to pull plug from outlet. Grasp the plug and pull to disconnect.
7. Do not use the pump for other than intended use. The use of attachments not recommended or sold by the appliance manufacturer may cause an unsafe condition.
8. Do not install or store the pump where it will be exposed to the weather or to temperatures below freezing. This pump is suitable for use in water temperatures 40~ 95 °F (4.5~35°C) .
9. Do not submerge more than 3ft of water depth.
10. Do not run dry or out of water. Keep water pump completely submerged.
11. Only use in freshwater or saltwater, do not use the pump in other liquids.
12. Make sure the pump is securely installed before operating.
13. Read and observe all the important notices on the pump.
14. If an extension cord is necessary, a cord with a proper rating should be used. A cord rated for less amperes or watts than the appliance rating may overheat. Care should be taken to arrange the cord so that it will not be tripped over or pulled.
15. The pump is intended FOR HOUSEHOLD USE ONLY. Do not use or mount this pump in such a way that the top vents are restricted or blocked. These vents are necessary to avoid overheating and ensure safe operating temperatures.
16. All pumps are professionally water tested by the manufacturer before shipment; if the water pump you received has a little water, please don't worry, this is the result of the testing process. You are receiving a brand new pump.
17. SAVE THIS USER MANUAL.

## 4.TROUBLESHOOTING:

	Reasons	Solution
Pump stopped working	1.The power is not connected 2.Water pump damaged 3.Impeller blocked 4.Out of the water	1. Plug in power 2. Replace water pump 3. Take it out and clean motor 4. Submerge it completely
Noise	1.Motor blocked 2.Motor worn or broken	1.Take it out and clean motor 2.Replace motor
Insufficient water flow	Impeller damaged	Replace impeller

## 5.PACKAGE INCLUDED:

1x Water pump with wire cord  
1x Extension tube  
1x Scraper  
1x Corner wash head  
1x Intake cover  
1x Brush head

1x Sand vacuum with sponge  
1x Water outlet pipe  
1x Filter cup with filter sponge  
1x Adapter  
1x User manual

## 6.CONTACT INFORMATION :

Company Name :Shenzhen Aiku Pet Technology Co.,Ltd  
Add:Room 501,No.20,Lane 1,Lishipai,Dafapu Community  
Bantian Street,Longgang District ,Shenzhen Guangdong. 518000

Please provide your amazon order id (amazon invoice) and shipping address by E-mail:service@aqqapet.com if you have any problems.





Company name:Like Sun GmbH  
Address:Planckstr.59 45147 Essen  
Email:ec-connection@web.de  
Tel:+49 47139156605



Company name:KOVA ASSOCIATES LTD  
Address:72a Kingston Road,Portsmouth,  
Hampshire,PO2 7PA,United Kingdom  
Email: KOVA.Compliance@outlook.com  
Tel:0044(0)23 8097 0315

