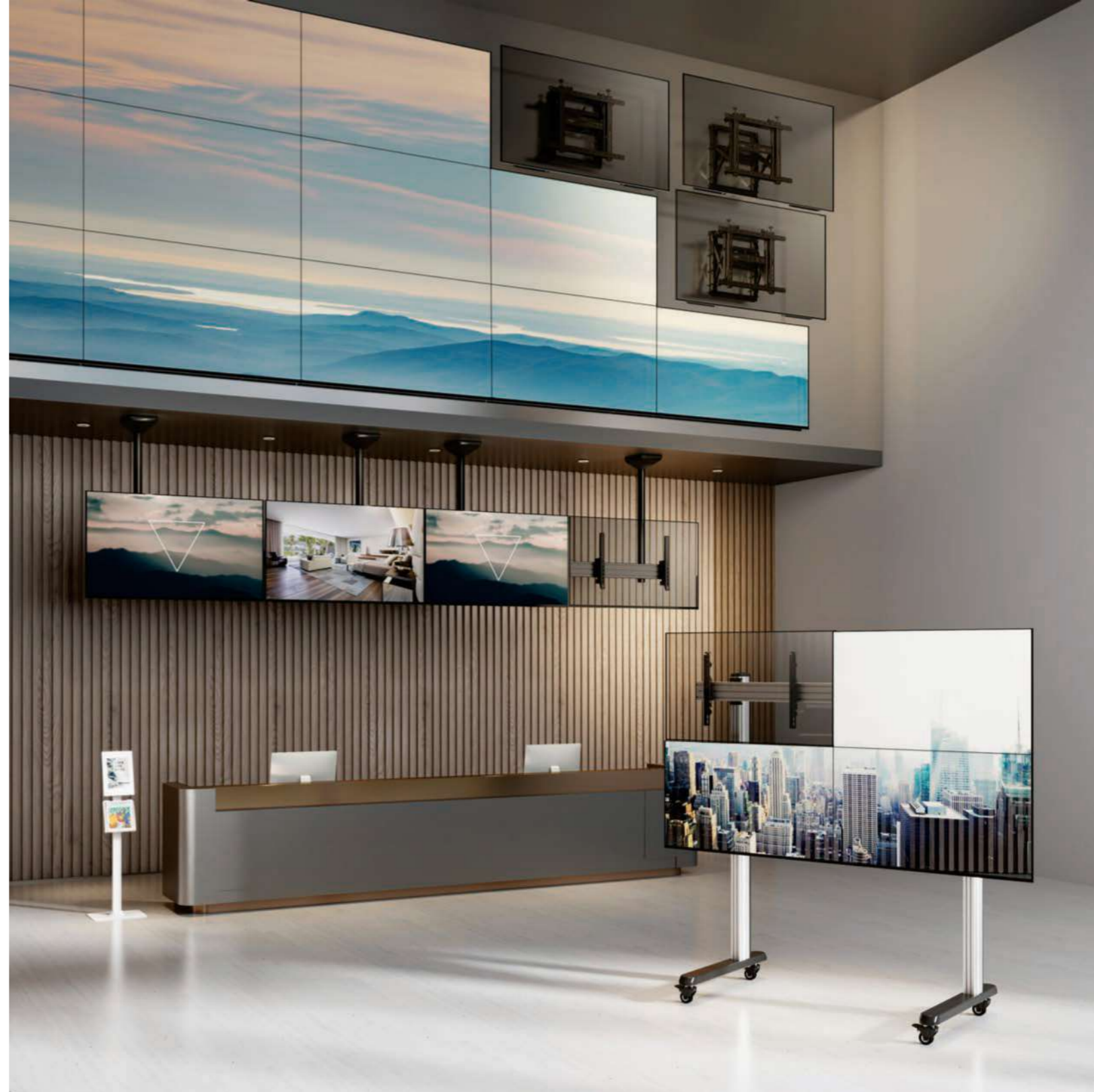


2023 | PROSUMER MOUNTING SOLUTIONS



Edition 10



# PROSUMER MOUNTING SOLUTIONS

WWW.XOXOO.CO



WWW.XOXOO.CO

Tel: +65 9622 6641

Email: sales@xoxoo.co

Add: 202 Kallang Place #08-02 Singapore 339339



XoXoo

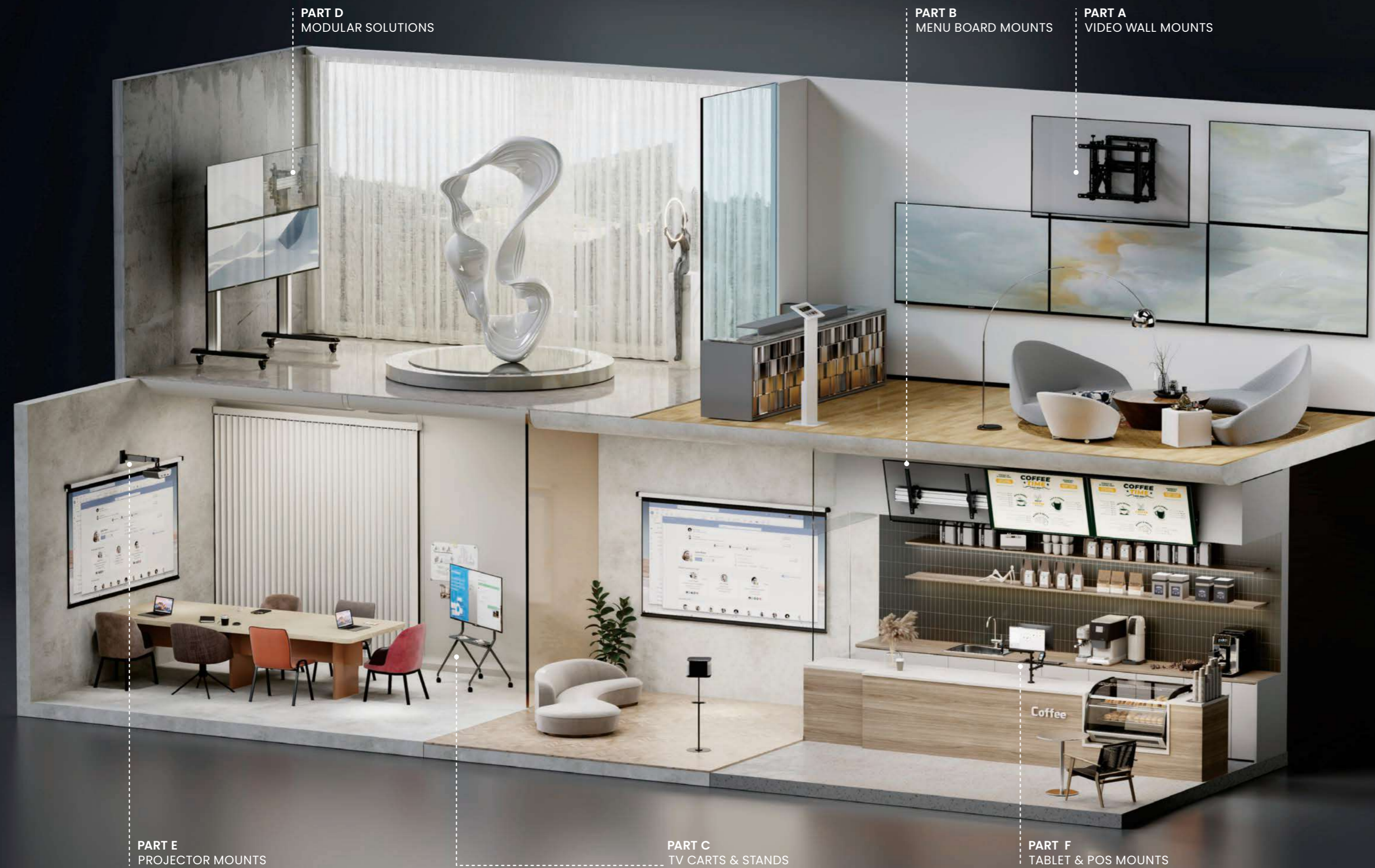


@shopxoxoo



@shopxoxoo

2023



**PART D**  
MODULAR SOLUTIONS

**PART B**  
MENU BOARD MOUNTS

**PART A**  
VIDEO WALL MOUNTS

**PART E**  
PROJECTOR MOUNTS

**PART C**  
TV CARTS & STANDS

**PART F**  
TABLET & POS MOUNTS

# PRODUCTS

BY INDUSTRIES

## PUBLIC VENUE

- A03 Video Wall Mounts
- A09 Video Wall Ceiling Mounts
- A12 Video Wall Carts & Stands

## QSR & TICKET OFFICE

- B03 Menu Board Mounts

## CORPORATE

- C04 C31V Carts & Stands
- Interactive Display Mounts & Stands

## EDUCATION & TRAINING

- E03 Projector Mounts

## RETAIL & HOSPITALITY

- F04 F16 Tablet Mounts
- POS Mounts



**F | RETAIL & HOSPITALITY**

❶ ANTI-THEFT TABLET KIOSK **F03**

❷ POS MOUNT **F16**

**MORE RECOMMENDED PRODUCTS**



PAD34 Series



PMM-02 Series



❸ VIDEO WALL CEILING MOUNT **B03**  
LVC03 Series



❹ VIDEO WALL MOUNT **A04**  
LVW13-46T

# QUICK REFERENCE GUIDE

Anti-Theft Type ● Key ● Screw

Wall-Mounted (VESA 75x75mm Compatible)	Countertop / Wall-Mounted	Countertop	Floor-Standing				
For most 7.9"~11" Tablets							
 ● PAD33-05	 ● PAD33-03	 ● PAD33-04	 ● PAD33-01	 ● PAD33-02			
For 9.7"~11" iPad, iPad Air, iPad Pro, Samsung Galaxy Tab 10.1 (2019), Tab A7, Tab S6 Lite							
 ● PAD34-01	 ● PAD34-02	 ● PAD34-03	 ● PAD34-04				
For 9.7" /10.2" iPad, 10.5" iPad Pro & iPad Air (Gen 3), 10.1" Samsung Galaxy Tab A (2019)							
 ● PAD32-01B	 ● PAD32-05	 ● PAD26-02N/03N	 ● PAD12-04N	 ● PAD26-04CN	 ● PAD32-01	 ● PAD12-02N	 ● PAD12-05N
For 12.9" iPad Pro (Gen 1 & 2)							
 ● PAD26-01L	 ● PAD26-02L	 ● PAD26-04CL	 ● PAD32-02				
For 12.9" iPad Pro (Gen 3)							
 ● PAD26-01LP	 ● PAD26-02LP	 ● PAD26-04CLP	 ● PAD32-03				
For 9.7" iPad, iPad Air, iPad Pro							
 ● PAD26-01							

PAD33 Series

# Universal Anti-Theft Tablet Kiosks

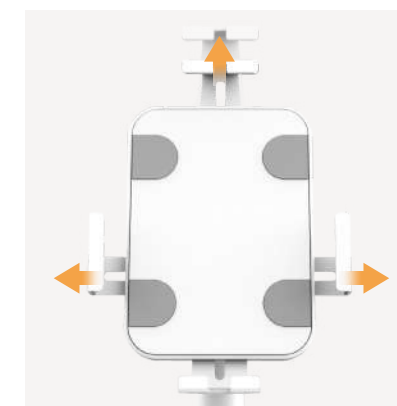


▲ Desk Mount

▲ Wall Mount



**Security Screw**  
protects the device from theft or  
vandalism



**Excellent Compatibility**  
with most 7.9"-11" tablets



▲ Floor Stand



**Fully Adjustable**  
for different viewing angle and better using experience



**Sliding Rail**  
for keeping the device at a desired position

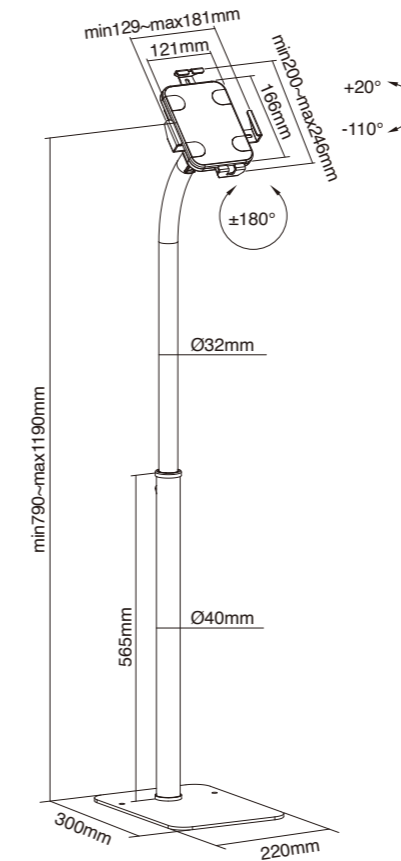


**1 Internal Cable Routing**  
protects wiring from damage while creating a clean finish

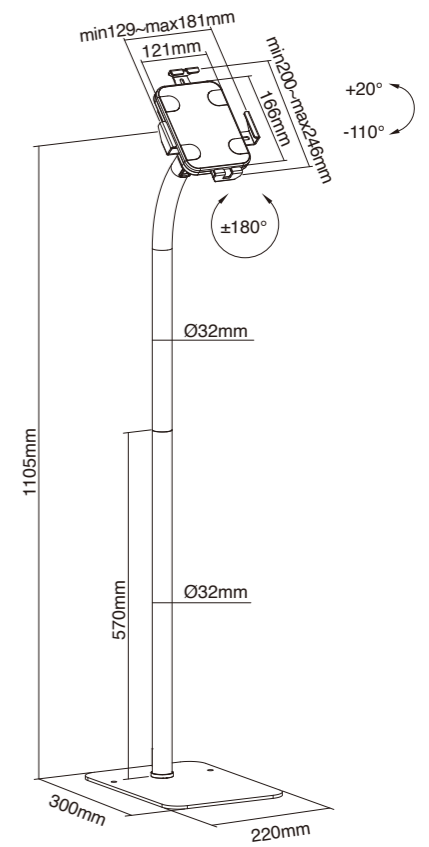
**2 Bolt-Down Base**  
for additional stability and security

**Height Adjustable**  
(for PAD33-01 only)

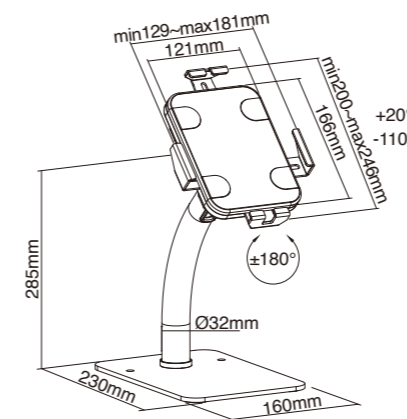
**PAD33-01** Floor-Standing / with Height Adjustment



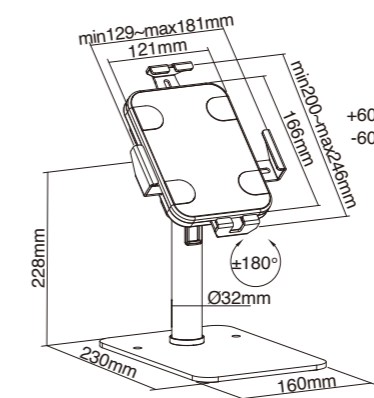
**PAD33-02** Floor-Standing



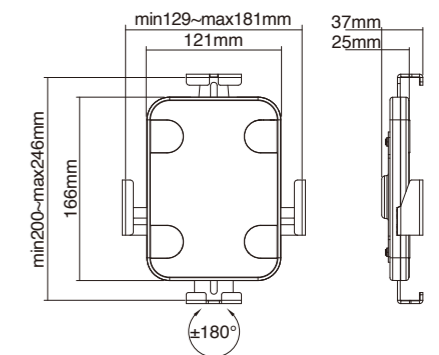
**PAD33-03** Countertop



**PAD33-04** Countertop



**PAD33-05** Wall-Mounted



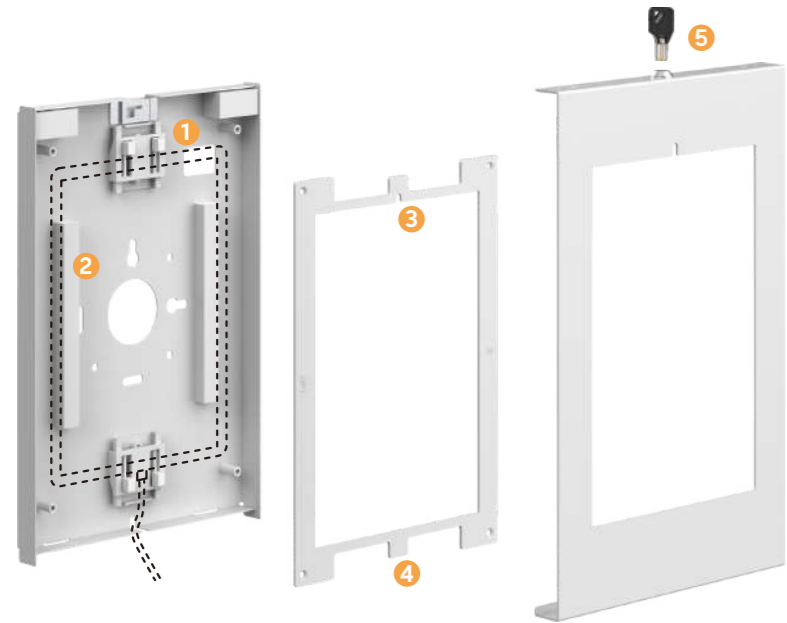
Colors:

Item No.	PAD33-01	PAD33-02	PAD33-03	PAD33-04	PAD33-05
Screen Size*	7.9"-11"	7.9"-11"	7.9"-11"	7.9"-11"	7.9"-11"
Weight Capacity	1kg/2.2lbs	1kg/2.2lbs	1kg/2.2lbs	1kg/2.2lbs	1kg/2.2lbs
Tilt Range	+20°~ -110°	+20°~ -110°	+20°~ -110°	+60°~ -60°	/
Screen Rotation	+180°~ -180°	+180°~ -180°	+180°~ -180°	+180°~ -180°	+180°~ -180°
Material	Steel, Plastic	Steel, Plastic	Steel, Plastic	Steel, Plastic	Steel, Plastic

\*Not compatible with iPad mini 6

# SIMPLICITY ANTI-THEFT TABLET KIOSKS

PAD34 SERIES



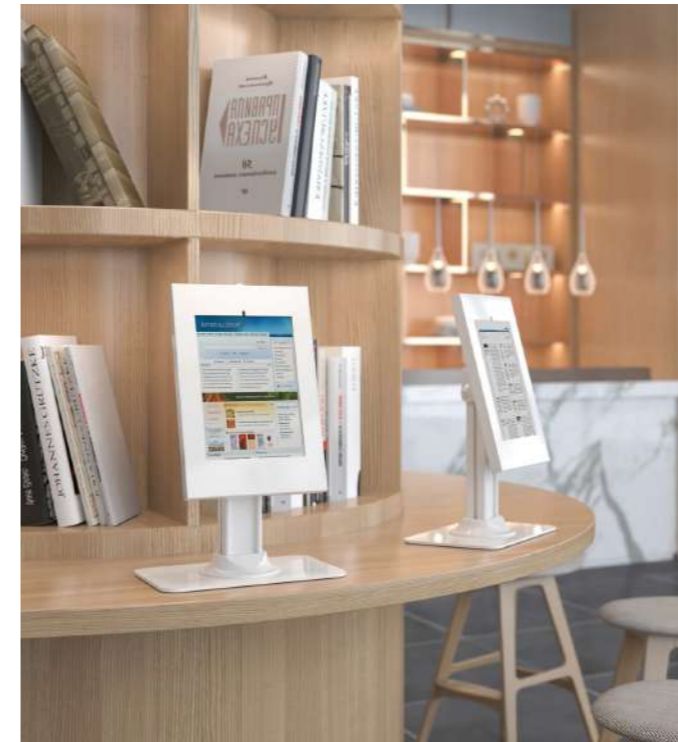
## Innovative Enclosure

iPad 5/6/7/8/9  
 iPad Pro (9.7"/10.5"/11")  
 iPad Air (9.7"/10.5"/10.9")  
 Samsung Galaxy Tab S6 Lite (10.4")  
 Samsung Galaxy Tab A (10.1 2019)  
 Samsung Galaxy Tab A7

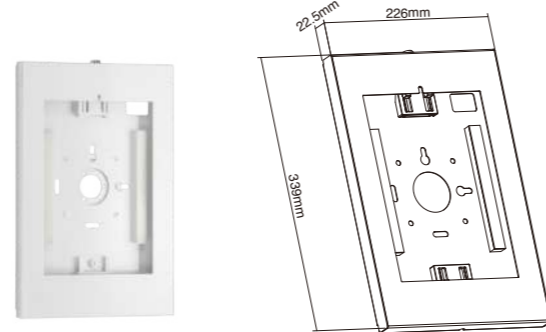
- 1 Two Adjustable Claws securely hold the tablet
- 2 EVA Foam + Silicone Pads protect devices from scratches and damage
- 3 Precise Camera Cutout enables facial recognition or scanning functions
- 4 Six Tablet Panels Included for different sized tablets
- 5 Locking Mechanism with Key protection from theft or vandalism

# SIMPLICITY ANTI-THEFT TABLET KIOSKS

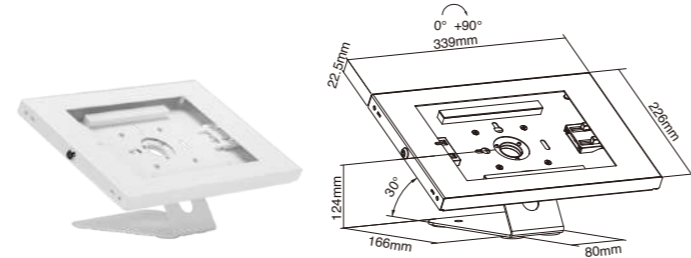
PAD34 SERIES



PAD34-01 Wall-Mounted

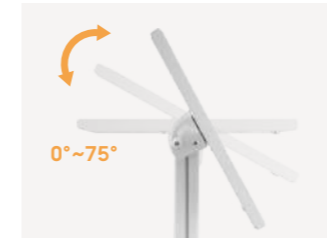


PAD34-02 Countertop/Wall-Mounted



Colors:

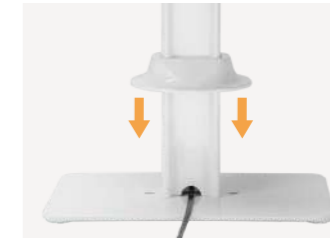
Item No.	PAD34-01	PAD34-02
Weight Capacity	1kg/2.2lbs	1kg/2.2lbs
Rotation	/	0°~+90°
Material	Steel, Plastic	Steel, Plastic



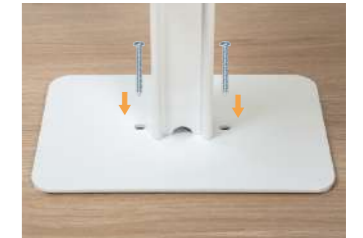
Free Tilting suits various viewing needs



Landscape or Portrait Position fits various applications

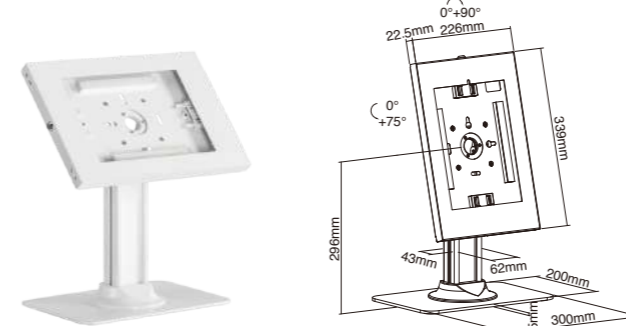


Internal Cable Management protects wiring from damage or vandalism



Fixed Base for additional stability and security

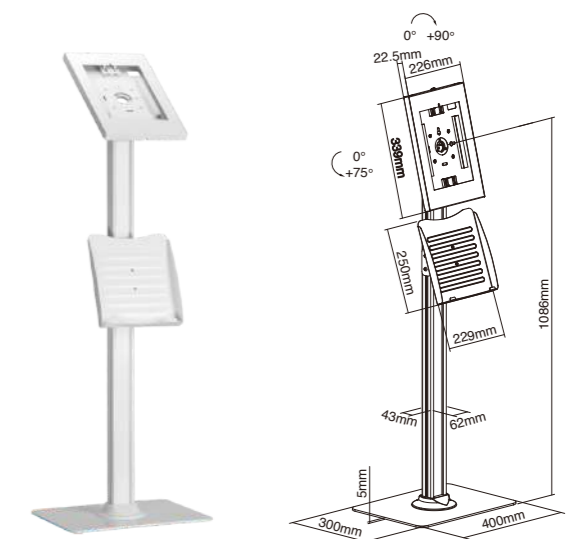
PAD34-03 Countertop



Colors:

Item No.	PAD34-03	PAD34-04
Weight Capacity	1kg/2.2lbs	1kg/2.2lbs
Material	Steel, Aluminum, Plastic	Steel, Aluminum, Plastic



PAD34-04 Floor-Standing

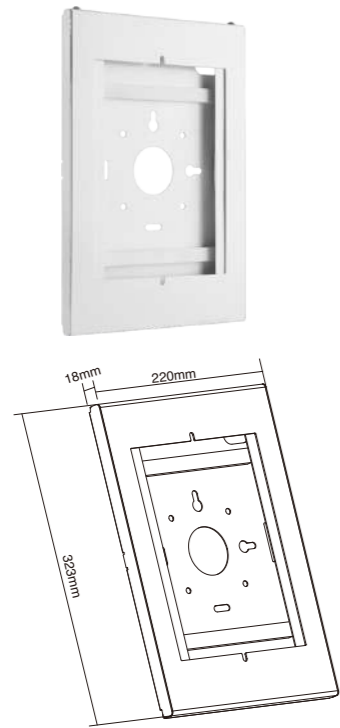


# ANTI-THEFT TABLET ENCLOSURES

PAD32 SERIES

## PAD32-01B Wall-Mounted

For 9.7" & 10.2" iPad, 10.5" iPad Air (Gen 3), 10.5" iPad Pro, 10.1" Samsung Galaxy Tab A (2019)  
Colors:  



**Attach to 75x75 VESA Plate**  
for different applications



**Attach to the Wall**  
for quick installation





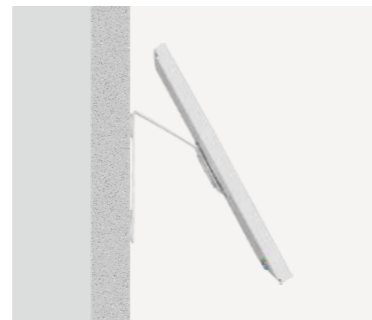
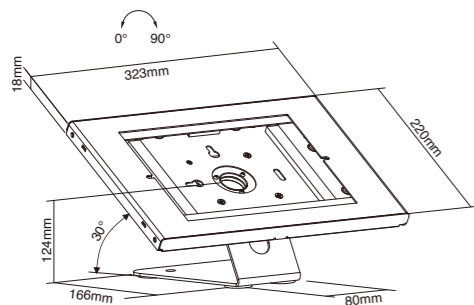
**Lockable Design**  
additional security  
for your property



**Cable Management**  
keeps wiring organized

## PAD32-05 Countertop

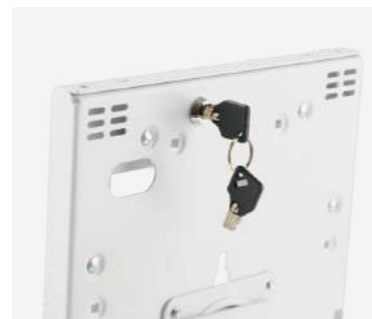
For 9.7" & 10.2" iPad, 10.5" iPad Air (Gen 3), 10.5" iPad Pro, 10.1" Samsung Galaxy Tab A (2019)  
Colors:  



**Attach to the Wall**  
for different applications



**Landscape or Portrait Orientation**  
for different applications



**Lockable Anti-Theft Design**  
additional security for your  
property



**Cable Management**  
keeps wiring organized

# ANTI-THEFT TABLET ENCLOSURES

PAD32 SERIES

**Locking Design**  
ideal for placement  
in public areas



**Locking Lower  
Cabinet Space**  
for power strips, cables and  
other accessories (Power  
strip is not included)

**Cable Management**

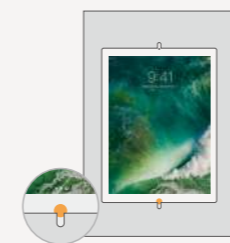


**EVA Foam Pads**  
protect devices from  
scratches and marring

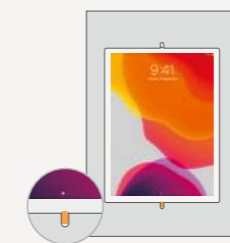
**Front Panel Area**  
for custom branding/graphics

Colors:  

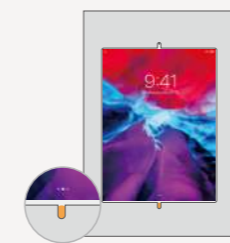
**Fits Multiple Tablet Sizes** (For PAD32-01/PAD32-01B/PAD32-05)



for 9.7" iPad



for 10.2" iPad



for 10.5" iPad Air (Gen 3)  
& 10.5" iPad Pro



for 10.1" Samsung  
Tab A (2019)

**Portrait or Landscape Mounting**  
for different applications

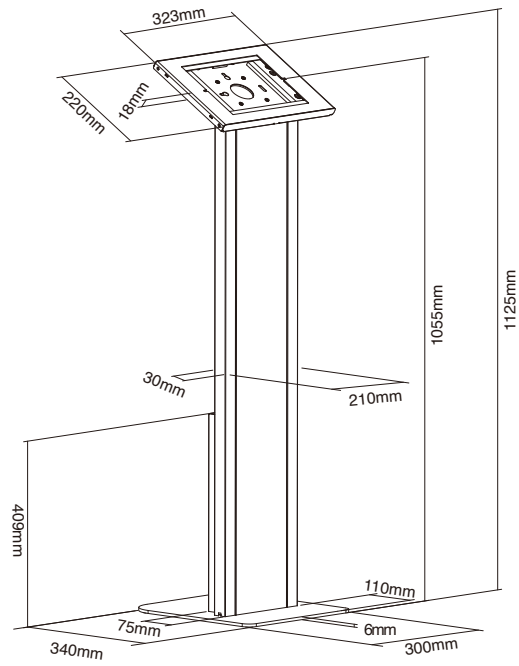


# ANTI-THEFT TABLET ENCLOSURES

## PAD32 SERIES

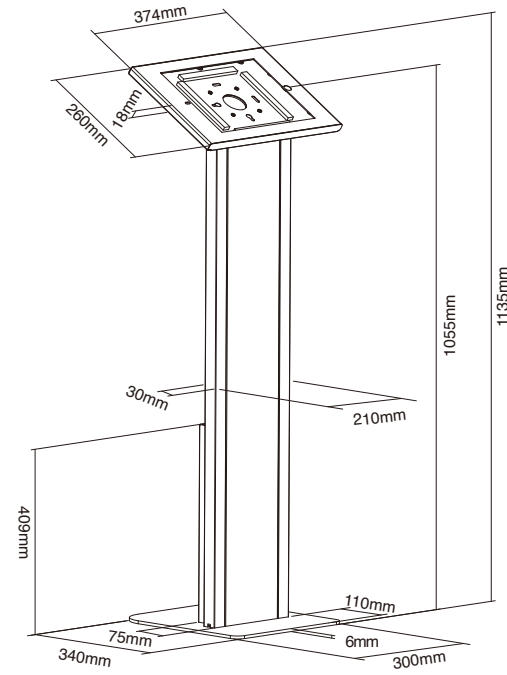
### PAD32-01

For 9.7" & 10.2" iPad, 10.5" iPad Air (Gen 3), 10.5" iPad Pro, 10.1" Samsung Galaxy Tab A (2019)



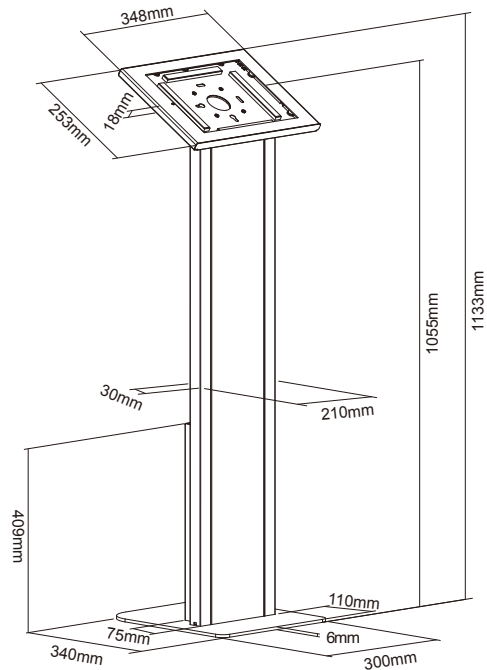
### PAD32-02

For 12.9" iPad Pro (Gen 1 & 2)



### PAD32-03

For 12.9" iPad Pro (Gen 3)

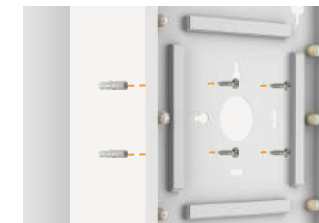


# ANTI-THEFT WALL MOUNT TABLET ENCLOSURES

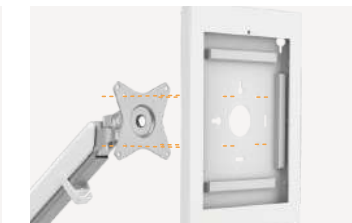
## PAD26 SERIES



**Theft-Resistant Design**  
protects property



**Attach to the Wall**  
for quick installation



**Attach to 75x75 VESA Plate**  
offers multiple installation applications

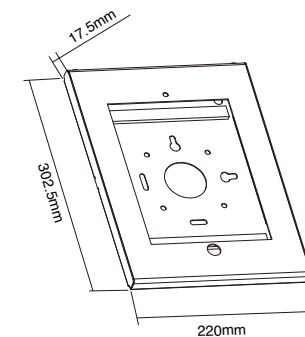


**External Cable Management**  
creates a clean look

Colors:

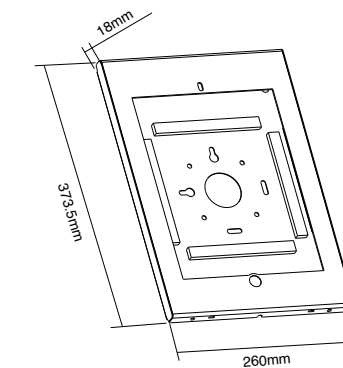
### PAD26-01

9.7" iPad, iPad Air, iPad Pro



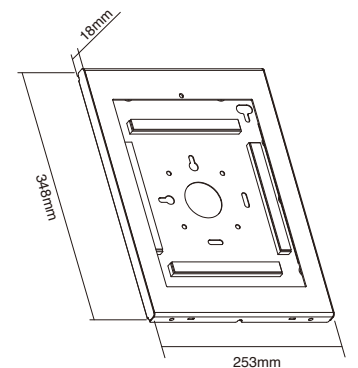
### PAD26-01L

12.9" iPad Pro (Gen 1 & 2)



### PAD26-01LP

12.9" iPad Pro (Gen 3)







Height-Adjustable  
Brochure Holder



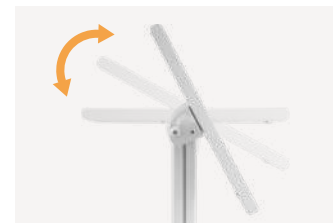
**Landscape or Portrait Orientation**  
for different applications



**Lockable Anti-Theft Design**  
additional security for property



**Cable Management**  
creates a clean look



**0°~75° Tilting**  
provides best viewing experience



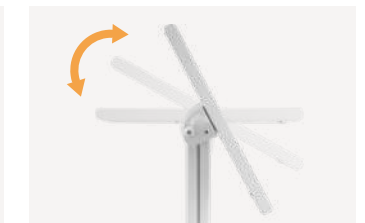
**Landscape or Portrait Orientation**  
for different applications



**Lockable Anti-Theft Design**  
additional security for property



**Cable Management**  
creates a clean look

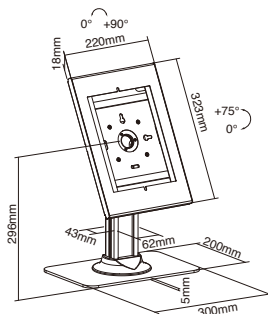


**0°~75° Tilting**  
provides best viewing experience

Colors:

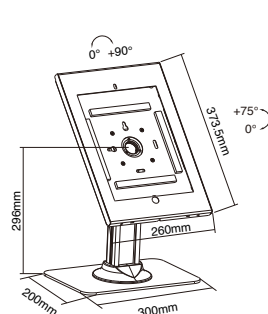
**PAD26-02N**

For 9.7" & 10.2" iPad, 10.5" iPad Air (Gen 3), 10.5" iPad Pro, 10.1" Samsung Galaxy Tab A (2019)



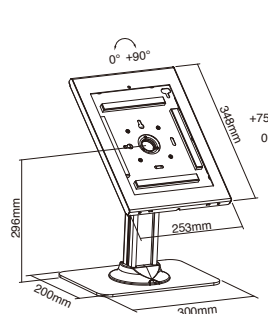
**PAD26-02L**

For 12.9" iPad Pro (Gen 1 & 2)



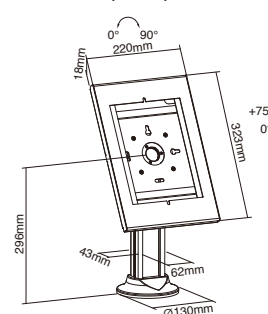
**PAD26-02LP**

For 12.9" iPad Pro (Gen 3)



**PAD26-03N**

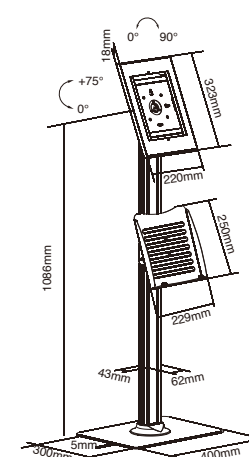
For 9.7" & 10.2" iPad, 10.5" iPad Air (Gen 3), 10.5" iPad Pro, 10.1" Samsung Galaxy Tab A (2019)



Colors:

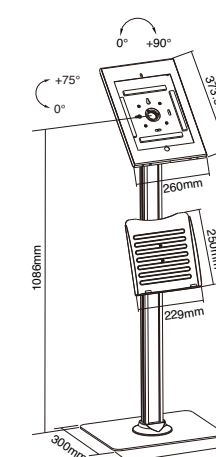
**PAD26-04CN**

For 9.7" & 10.2" iPad, 10.5" iPad Air (Gen 3), 10.5" iPad Pro, 10.1" Samsung Galaxy Tab A (2019)



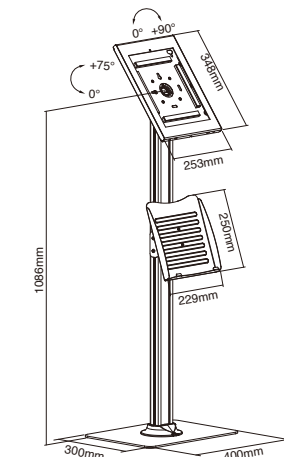
**PAD26-04CL**

For 12.9" iPad Pro (Gen 1 & 2)



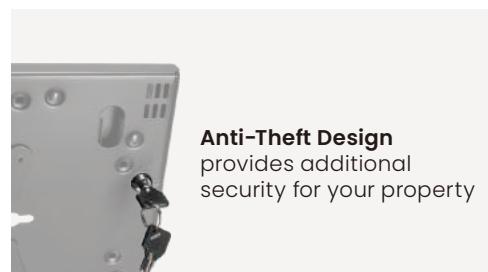
**PAD26-04CLP**

For 12.9" iPad Pro (Gen 3)



# CLASSIC ANTI-THEFT TABLET KIOSKS

PAD12 SERIES

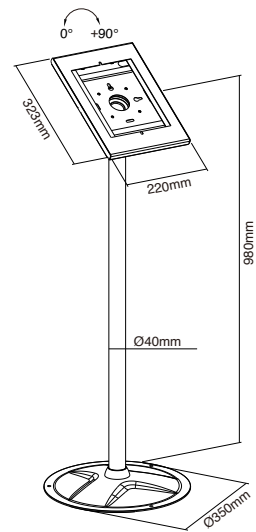


### Fits Popular Tablets

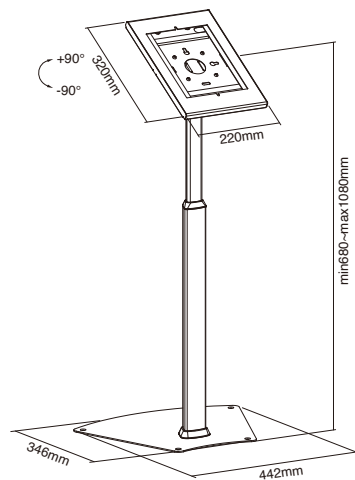


Colors:

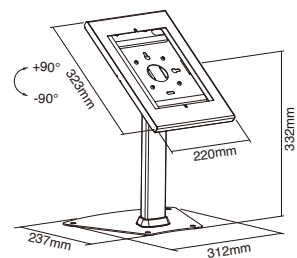
**PAD12-02N** Floor-Standing



**PAD12-05N** Floor-Standing



**PAD12-04N** Countertop



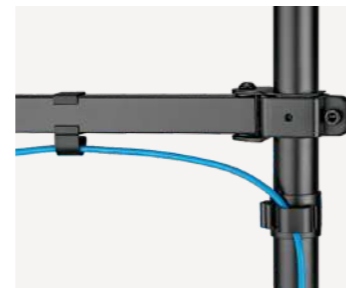
PMM-02 Series

# POS MOUNTING SOLUTION

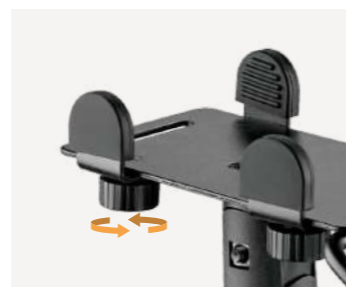




Dual screens enable good display of ads/menus



Adjustable clip for easy cable management

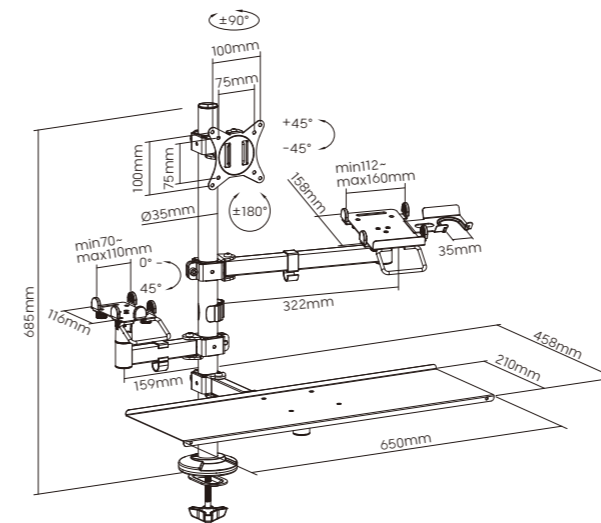


Universal Compatibility suitable for all sizes of printers and POS machines

**Flexible Installation**  
 - each arm can rotate  $\pm 90^\circ$  around the pole & height adjustable  
 - angle adjustable for POS and screen holders

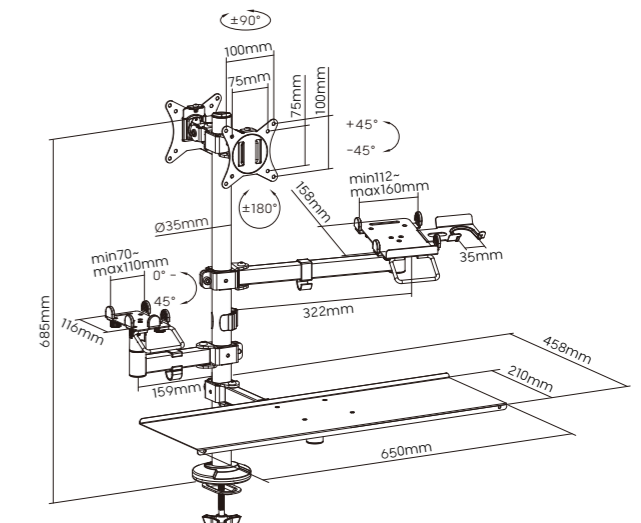
SINGLE SCREEN

PMM-02L Keyboard Tray

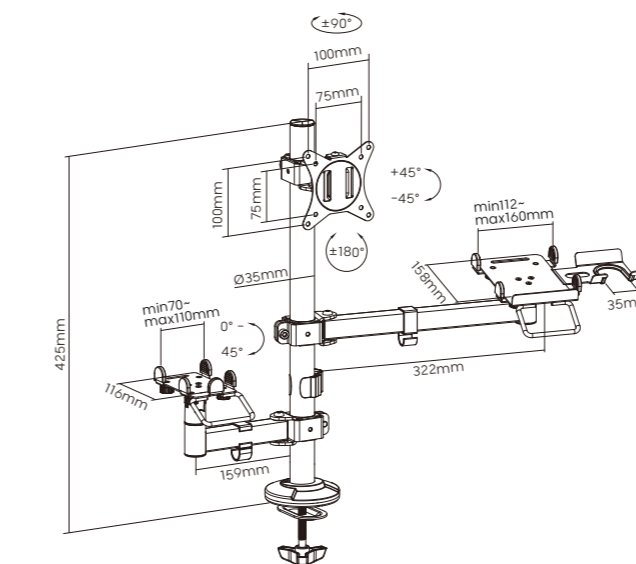


SINGLE SCREEN

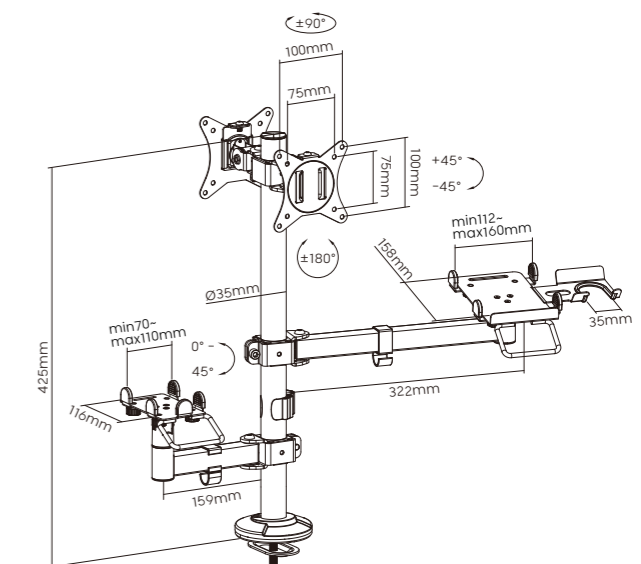
PMM-02LD Keyboard Tray



PMM-02S



PMM-02SD



Item No.	PMM-02L	PMM-02LD	PMM-02S	PMM-02SD
Fit Screen Size	17"-32"	17"-32"	17"-32"	17"-32"
Weight Capacity (per screen)	9kg (19.8lbs)	9kg (19.8lbs)	9kg (19.8lbs)	9kg (19.8lbs)
VESA Compatible	75x75, 100x100	75x75, 100x100	75x75, 100x100	75x75, 100x100
Tilt Range	+45°~-45°	+45°~-45°	+45°~-45°	+45°~-45°
Swivel Range	+90°~-90°	+90°~-90°	+90°~-90°	+90°~-90°
Screen Rotation	+180°~-180°	+180°~-180°	+180°~-180°	+180°~-180°
Grommet	10-40mm (0.39"-1.6")	10-40mm (0.39"-1.6")	10-40mm (0.39"-1.6")	10-40mm (0.39"-1.6")
Material	Steel, Aluminum, Plastic	Steel, Aluminum, Plastic	Steel, Aluminum, Plastic	Steel, Aluminum, Plastic



**Locking Tablet Enclosure**  
compatible with most  
7.9"-11" devices

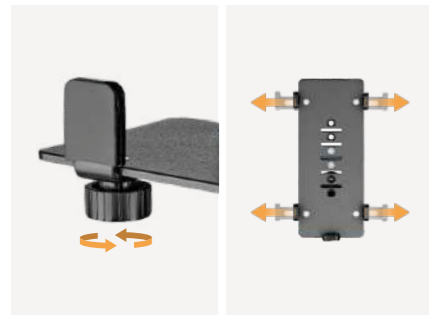
**Portrait or Landscape View**  
for better customer using experience

**POS Printer Holder in 2 Sizes**  
suits a wide range of devices

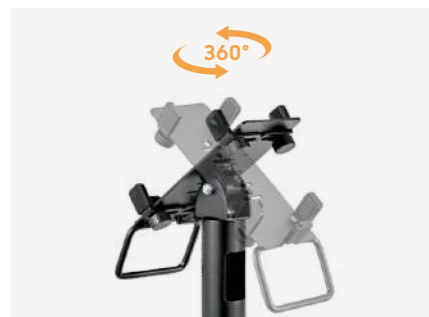
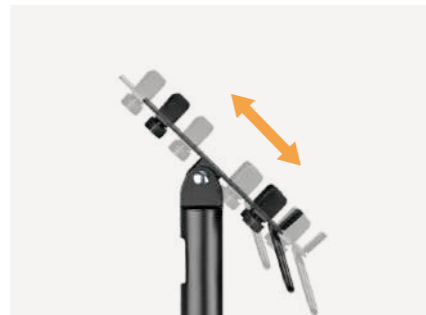


**Bolt Down Base**  
for additional stability and security

**Cable Management**  
creates a clean look and protects  
wiring from damage



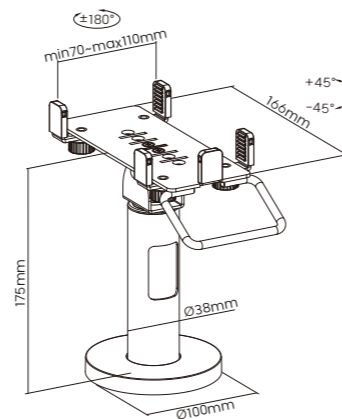
**Width & Height Adjustable**  
Ideal for all kinds of devices



**Swiveling Arm**  
offer maximum flexibility



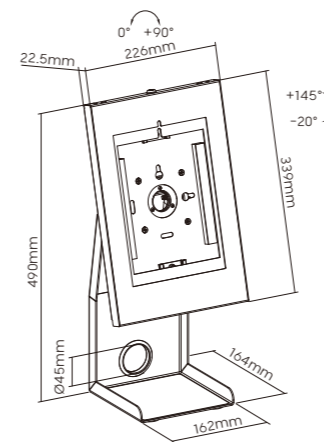
**Bolt-Down Base**  
for additional stability and security



<b>Item No.</b>	<b>PTS-05</b>
<b>Panel Size</b>	166mmx(min70~max110mm) /6.5"x(min2.8"-max4.3")
<b>Tilt Range</b>	+45°~-45°
<b>Swivel Range Profile</b>	+180°~-180°
<b>Cable Management</b>	175mm
	Yes

**PMM-03TS**

For compact printers  
135x135x135mm (5.3"x5.3"x5.3")

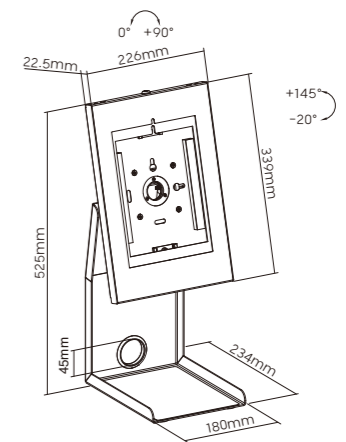


Colors:

Item No.	PMM-03TS / 03TL
<b>Weight Capacity</b>	1kg (2.2lbs)
<b>Rotation</b>	0°~+90°
<b>Tilt Range</b>	+145°~-20°
<b>Material</b>	Plastic, Steel
<b>Applicable Device</b>	Samsung Galaxy Tab S6 Lite 10.4", iPad 6, iPad Air (9.7"; 10.5"; 10.9"), iPad 5, Samsung Galaxy Tab A7, Samsung Galaxy Tab A 10.1 (2019), iPad 9, iPad Pro (9.7"; 10.5"; 11"), iPad 7, iPad 8

**PMM-03TL**

For large printers  
156x227x170mm (6.1"x8.9"x6.7")



# INDEX

For Item No. & Product Series Search

## A

<b>Aluminum Menu Board Mounts</b>		
Aluminum Menu Board Ceiling Mount		B03-B06
Aluminum Menu Board Wall Mount		B04-B06
<b>Aluminum TV Carts</b>		
Elemental Aluminum TV Cart		C24
Heavy-Duty Studio Aluminum TV Cart		C07
Compact Aluminum TV Cart		C26
Height-Adjustable Aluminum TV Carts with Crank Handle	C13-C14	C11-
Interactive Counterbalance Aluminum TV Carts	C12	C04-
Motorized Large TV Carts & Stands	C06	C17-
Telescopic Height-Adjustable Aluminum TV Carts Ultra-	C19	C15-
Modern Aluminum TV Carts		C16
<b>Aluminum Video Wall Mounts</b>		
Aluminum Video Wall Carts & Stands		A12-A15
Aluminum Video Wall Ceiling Mounts		A09-A11
<b>Anti-Theft Tablet Enclosures &amp; Kiosks</b>		
iPad Enclosures & Kiosks	F09-F11	F07-
iPad/Samsung Galaxy Tablet Enclosures & Kiosks	F08/F12-F15	
Universal Tablet Kiosks	F04-F06	
APM-10-01		A20

## C

<b>Component-Based Configurations</b>		
Additional Accessories		D15
Ceiling-Mounted Solutions		D05-D08
Mobile & Fixed Solutions		D11-D14
Wall-Mounted Solutions		D09-D10

## D

<b>Direct View LED Video Wall Carts</b>	A16-A19
<b>Dual Screen Cart for Interactive Displays</b>	C36

## E

<b>Economy TV Carts &amp; Stands</b>	C28-C30
<b>EPB-2 Compact Projector Ceiling Mount</b>	E07

## F

<b>Floor Standing Projector Mount FS11-</b>	E03-E04
<b>46T Compact Aluminum TV Cart</b>	C26
<b>FS22 Series Compact Steel TV Carts &amp; Stand</b>	C27
<b>FS23-44TW Economy Steel TV Cart</b>	C28
<b>FS44 Series Elemental Aluminum TV Cart</b>	C24-C25

## H

<b>HAW400 Series Height-Adjustable Wall Mounts for Interactive Display</b>	C37-C38
<b>Heavy-Duty Carts &amp; Stands</b>	
Heavy-Duty Carts & Stand for Interactive Displays	C34-C35
Heavy-Duty TV Carts & Stands	C09-C10

## I

<b>Interactive Display Carts &amp; Stands</b>		
Dual Screen Cart for Interactive Displays		C36
Heavy-Duty Carts & Stand for Interactive Displays		C34-C35
Mobile Stand for Interactive Displays		C31-C32
<b>Interactive Display Wall Mounts</b>		
Height-Adjustable Wall Mounts for Interactive Displays		C37-C38

## L

<b>LED Display Video Wall Mount</b>	A04-A15
<b>LCD Display Video Wall Mount</b>	A16-A19
<b>LES01 Series Direct View LED Video Wall Carts LVC03</b>	A16-A19
<b>Series Aluminum Menu Board Ceiling Mounts LVC03-</b>	B06
<b>FL Series Aluminum Video Wall Ceiling Mounts LVS02</b>	A09-A11
<b>Series Aluminum Video Wall Carts &amp; Stands LVW03</b>	A12-A15
<b>Series Premium Video Wall Mounts</b>	A05-A06
<b>LVW06 Series Classic Video Wall Mounts</b>	A07-A08
<b>LVW10 Series Aluminum Menu Board Wall Mounts</b>	B05
<b>LVW13-46T Optimal Full Service Video Wall Mount</b>	A04

## M

<b>Menu Board Mounts</b>		
Menu Board Ceiling Mounts		B06
Menu Board Wall Mounts		B05
<b>Modular Components</b>		
<b>Aluminum Columns</b>		
LVS02-C18 1800mm LVS02-C24 2400mm		D14
<b>Aluminum Rails</b>		
LVS02-R150 1500mm LVS02-		D10
R200 2000mm LVS02-R70		
700mm		
LVW06-Column50 495mm		
LVW06-Column75 745mm		
<b>Bases</b>		
LVS02-B01 Floor Base with Leveling Feet		D13-D14
LVS02-B02 Pedestal Base		
LVS02-B03 Permanent Fixed Base LVS02-		
B04 H Style Base with Casters		
LVS02-B05 H Style Base with Leveling Feet		
LVS02-CASTER Mobile Casters		
<b>Brackets</b>		
LVS02-40M Micro-Adjustment		D10
LVS02-40T Tilt		
LVS02-80F Fixed		
LVW06-Arm Pop-Out		

### Other Components

LVC03-W01 Ceiling Plate LVC03-		D08
W02 Rail-to-Pole Collar		D08
LVS02-CM01 Adjustable Camera Shelf		D15
LVS02-J01 Rail-to-Column Connector		D14
LVS02-J02 Angle Adjustment Rail Connector		D16
LVS02-W01 Wall Plate		D09
APM-10-01 Sliding AV Storage Panel		D16
<b>Poles</b>		
LVC03-C100-2 1000mm LVC03-C150-2 1500mm		
LVC03-C175-1 1750mm (with Weight-Balancing)		
LVC03-C225-1 2250mm (with Weight-Balancing)		

### Motorized Large TV Carts & Stand

	C04-C06
--	---------

## P

<b>PAD12 Series Anti-theft Tablet Kiosks</b>	F15
<b>PAD26 Series Anti-theft Tablet Kiosks/Enclosures</b>	F12-F14
<b>PAD32 Series Anti-theft Tablet Kiosks/Enclosures</b>	F09-F11
<b>PAD33 Series Universal Anti-Theft Tablet Kiosks</b>	F04-F06
<b>PAD34 Series Simplicity Anti-theft Tablet Kiosks</b>	F07-F08
<b>PMM-02 POS Mounting Solution</b>	F16-F18
<b>PMM-03 Tablet &amp; Print Stands for mPOS</b>	F20

<b>PRB-20 Series Heavy-Duty Projector Ceiling Mounts</b>	E06
<b>PRB-21 Series Short Throw Projector Wall Mounts</b>	E05
<b>PRB-22P Aluminum Tripod Projector Stand</b>	E08
<b>PRB-23 Series Adjustable Mini Projector Floor Stands</b>	E03-E04
<b>PTS-05 Universal POS Terminal Stand</b>	F19
<b>Projector Mounts &amp; Stands</b>	
Adjustable Mini Projector Floor Stands	E03-E04
Compact Projector Ceiling Mount	E07
Heavy-Duty Projector Ceiling Mounts	E06
Projector Riser/Stand	E08
Short Throw Projector Wall Mounts	E05
<b>PRS-01 Steel Projector Riser</b>	E08

## S

<b>Steel TV Carts &amp; Stands</b>		
Compact Steel TV Carts		C27
Economy Steel TV Carts		C28
Streamlined Steel TV Stands & Carts		C09-C10
Telescopic Height-Adjustable Steel TV Carts		C17-C23

## T

<b>T1028 Series Economy Steel TV Carts</b>	C30
<b>T1040 Series Economy Steel TV Carts</b>	C29
<b>TT04 Series Telescopic Height-Adjustable Aluminum TV Carts with Crank Handle</b>	C13-C14
<b>TT06 Series Telescopic Height-Adjustable Steel TV Carts TT07</b>	C20-C23
<b>Series Telescopic Height-Adjustable Aluminum TV Carts TT08</b>	C17-C19
<b>Series Streamlined Steel TV Carts &amp; Stands</b>	C09-C10
<b>TT09 Series Heavy-Duty Carts &amp; Stand for Interactive Displays</b>	C34-C35
<b>TT12 Series Ultra-Modern Aluminum TV Carts</b>	C15-C16
<b>TTD09-46FW Dual Screen Cart for Interactive Displays TTL14-</b>	C36
<b>68 Series Motorized Large TV Carts &amp; Stand</b>	C04-C06
<b>TTV05 Series Interactive Counterbalance Aluminum TV Carts</b>	C11-C12
<b>TTV11-46TW Mobile Stand for Interactive Displays TTV13-46TW</b>	C33 C31-
<b>Stylish Mobile Stand for Interactive Displays</b>	C32 C07
<b>TT15-68FW Heavy-Duty Studio Aluminum TV Cart</b>	
<b>TV Carts &amp; Stands</b>	
Compact Aluminum/Steel TV Carts	C26-C27
Economy Steel TV Carts	C28 C11-
Interactive Counterbalance Aluminum TV Carts	C12 C04-
Motorized Large TV Carts & Stand	C09-C10
Streamlined Steel TV Stands & Carts	C17-C19
Telescopic Height-Adjustable Aluminum TV Carts	C13-C14
Telescopic Height-Adjustable Aluminum	C20-C23
Telescopic Height-Adjustable Steel TV Carts	C15-C16
Ultra-Modern Aluminum TV Carts	

## V

<b>Video Wall Carts &amp; Stands</b>		
Aluminum Video Wall Carts & Stands		A12-A15
Direct View LED Video Wall Carts		A16-A19
<b>Video Wall Ceiling Mounts</b>		
<b>Video Wall Mounts</b>		
Classic Video Wall Mounts		A07-A08
Optimal Video Wall Mount		A03-A04
Premium Video Wall Mounts		A05-A06

### Note:

Unless otherwise indicated, products and/or accessories shown in conjunction with XoXo® products displayed in this publication are not included. All company, product and service names used in this publication are for identification purposes only. Logos or Trademarks shown belong to their respected owners. ®

©2023 All Rights Reserved.

All images and specifications are for reference only, actual product may vary.