

2023 | PROSUMER MOUNTING SOLUTIONS

Edition 10



[www.xoxoo.co](http://www.xoxoo.co)

Tel: +65 9622 6641

Email: [sales@xoxoo.co](mailto:sales@xoxoo.co)

Add: 202 Kallang Place #08-02 Singapore 339339



XoXoo



@shopxoxoo



@shopxoxoo



[www.xoxoo.co](http://www.xoxoo.co)

# PROSUMER MOUNTING SOLUTIONS

2023





**PART D**  
MODULAR SOLUTIONS

**PART B**  
MENU BOARD MOUNTS

**PART A**  
VIDEO WALL MOUNTS

**PART E**  
PROJECTOR MOUNTS

**PART C**  
TV CARTS & STANDS

**PART F**  
TABLET & POS MOUNTS

# PRODUCTS

BY INDUSTRIES

## PUBLIC VENUE

- A03 Video Wall Mounts
- A09 Video Wall Ceiling Mounts
- A12 Video Wall Carts & Stands

## QSR & TICKET OFFICE

- B03 Menu Board Mounts

## CORPORATE

- C04 C31V Carts & Stands
- Interactive Display Mounts & Stands

## EDUCATION & TRAINING

- E03 Projector Mounts

## RETAIL & HOSPITALITY

- F04 F16 Tablet Mounts
- POS Mounts



# B | QSR & TICKET OFFICE



2



1 MENU BOARD MOUNT B03

## MORE RECOMMENDED PRODUCTS



LVW10 Series



2 VIDEO WALL MOUNT A03  
LVW13-46T



3 POS MOUNT F19  
PST-05



4 TABLET KIOSK F07  
PAD34 Series

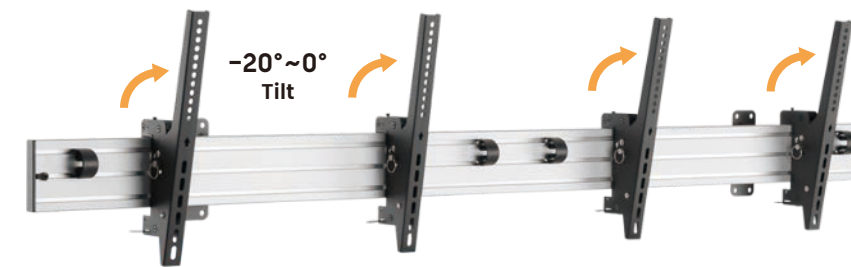


# Aluminum Menu Board Mounts



Menu boards have become the choice to deliver information in retail and other commercial environments. Our lightweight aluminum menu board system features up to a 20 degree forward tilt for optimized viewing. Wall or Ceiling mounting options fit nearly any installation application.

## 1 Wall Mount



## 2 Ceiling Mount



5mm/0.2" Level Adjustment ensures perfect positioning



Anti-Theft Design perfect for public areas (padlock required)

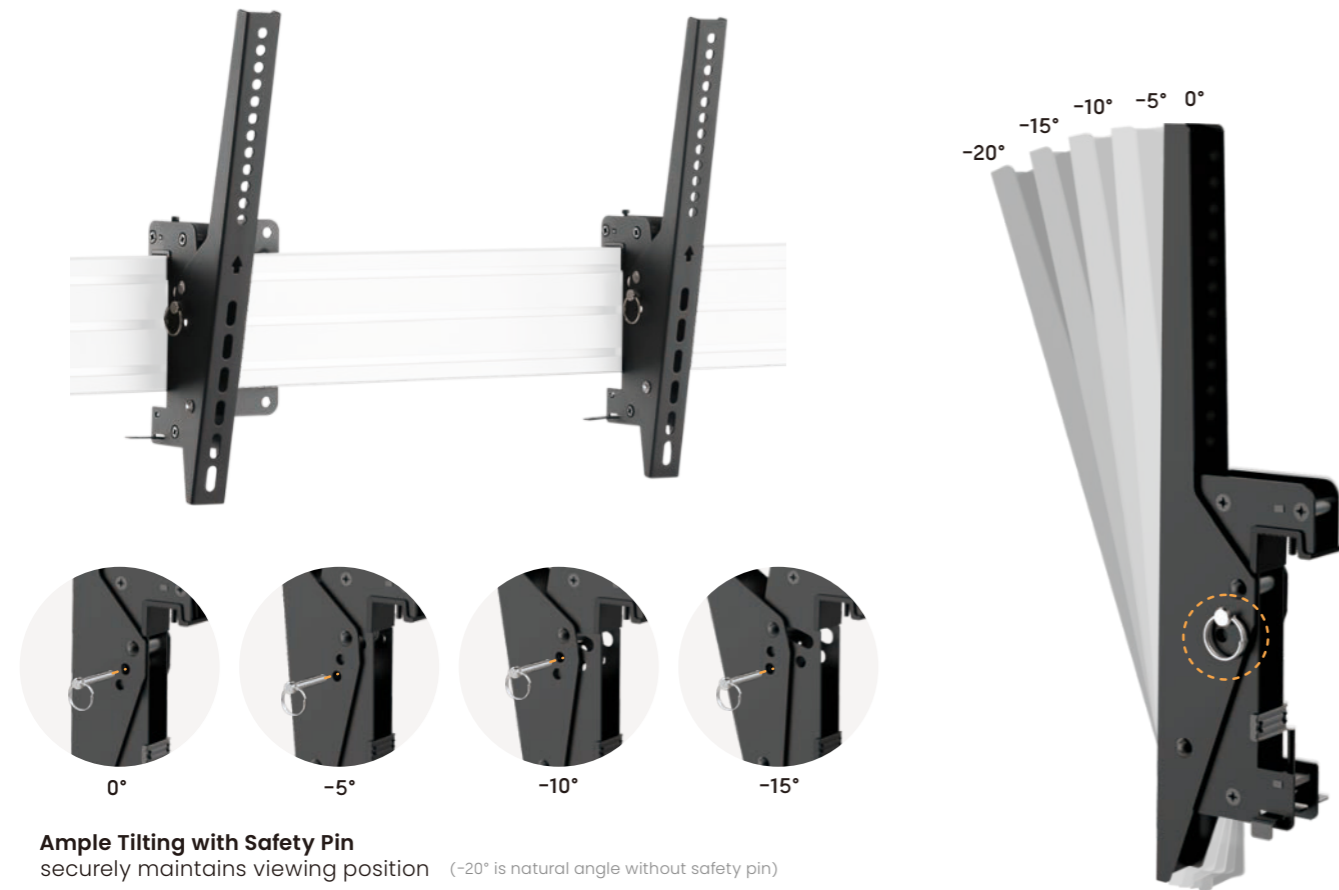


Front or Rear Mounted Cable Management keep everything organized



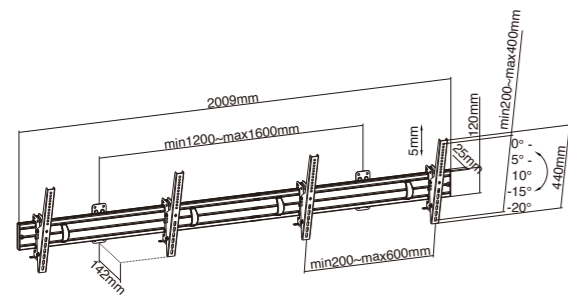
# ALUMINUM MENU BOARD MOUNTS

LVW10 / LVC03 SERIES

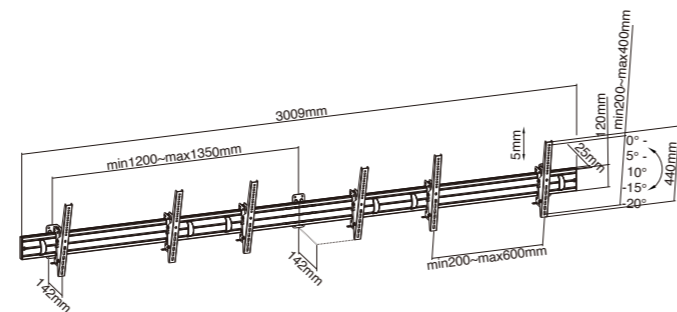


**Ample Tilting with Safety Pin**  
securely maintains viewing position (-20° is natural angle without safety pin)

**LVW10-246T** 2x1



**LVW10-346T** 3x1

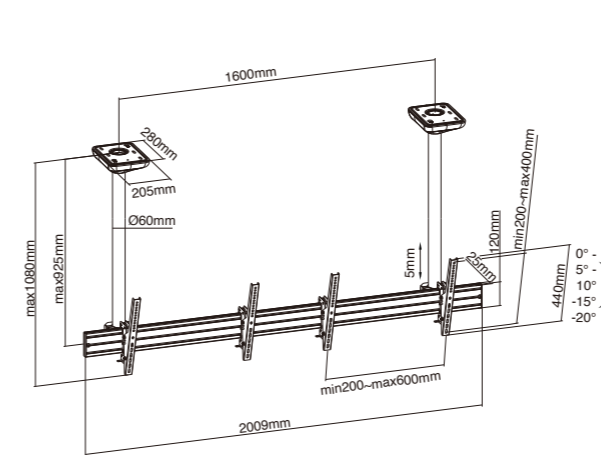


Item No.	LVW10-246T	LVW10-346T
Screen Size	45"-55"	45"-50"
Max. VESA	600x400	600x400
Weight Capacity (per screen)	50kg/110lbs	50kg/110lbs
Screen Quantity	2x1	3x1
Strength Tested	4 Times Approved	4 Times Approved
Profile	142mm(5.6")	142mm(5.6")
Tilt Range	0°/-5°/-10°/-15°/-20°	0°/-5°/-10°/-15°/-20°

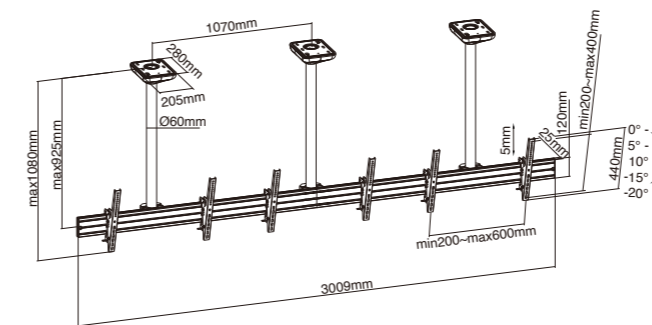
# ALUMINUM MENU BOARD MOUNTS

LVW10 / LVC03 SERIES

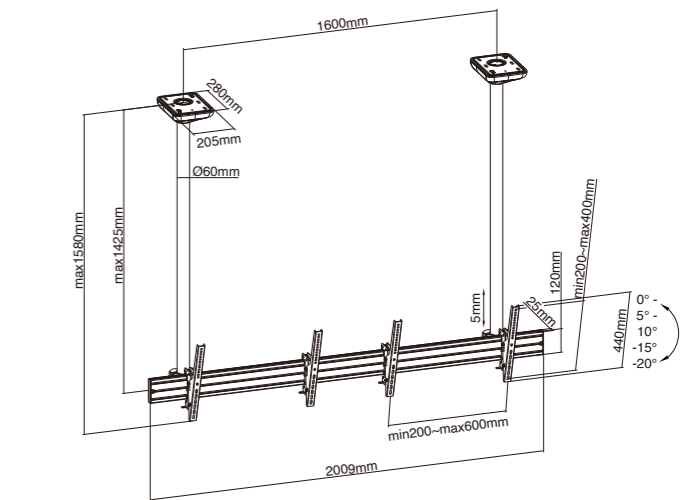
**LVC03-246TS-02** 2x1 / with Short Pole



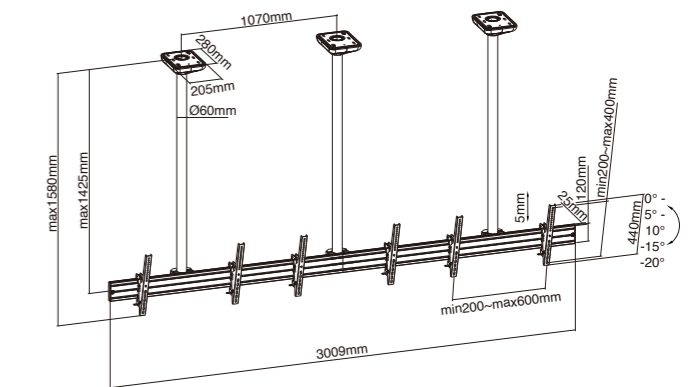
**LVC03-346TS-03** 3x1 / with Short Pole



**LVC03-246TL-02** 2x1 / with Long Pole



**LVC03-346TL-03** 3x1 / with Long Pole



Item No.	LVC03-246TS-02	LVC03-246TL-02	LVC03-346TS-03	LVC03-346TL-03
Screen Size	45"-55"	45"-55"	45"-50"	45"-50"
Max. VESA	600x400	600x400	600x400	600x400
Weight Capacity (per screen)	50kg/110lbs	50kg/110lbs	50kg/110lbs	50kg/110lbs
Screen Quantity	2x1	2x1	3x1	3x1
Strength Tested	4 Times Approved	4 Times Approved	4 Times Approved	4 Times Approved
Profile	1080mm(42.5")	1580mm(62.2")	1080mm(42.5")	1580mm(62.2")
Tilt Range	0°/-5°/-10°/-15°/-20°	0°/-5°/-10°/-15°/-20°	0°/-5°/-10°/-15°/-20°	0°/-5°/-10°/-15°/-20°